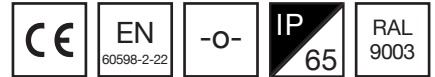


HANDRAIL EMERGENCY LIGHT



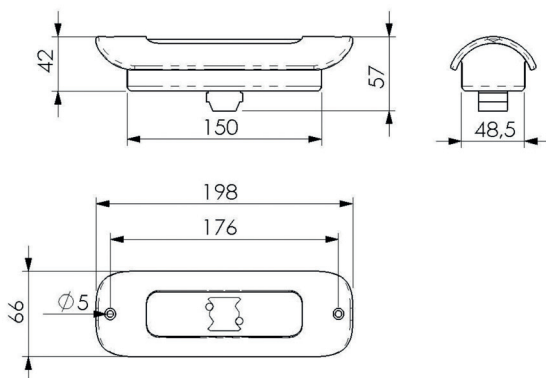
RECESSED
TO A
Ø 60,3MM
PIPE-
RAILING
MOUNTING



TWT91 is a purpose-built, centrally supplied emergency luminaire, designed to be used in corridors, recess mounted on handrails. It is installed in an opening of a handrail, to give light to the pathways, for their safe usage.

As a light source there is a high-power, long-life, white LED, surface mounted on aluminium-based circuit board, for excellent heat transfer. The housing of the luminaire is made from cast aluminium, for robust construction and good thermal characteristics. Diffuser is made from shock-proof and fire-resistant polycarbonate. The luminaire fits smoothly in the handrail, giving a uniform appearance.

DIMENSIONS



- | Aperture for mounting 150x50 mm
- | Recess mounting in a Ø 60,3mm pipe railing

EMERGENCY LIGHTING
HIGHLIGHTING
SAFETY

 **TEKNOWARE**[®]
Lahti | Finland

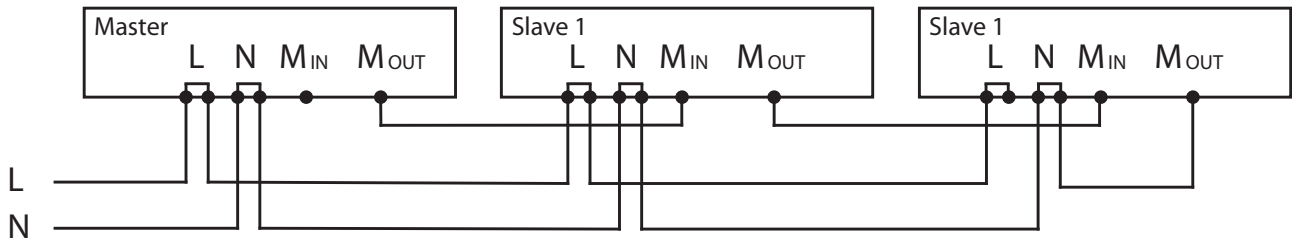
Ilmarisentie 8, FI-15200 Lahti
Tel. +358 3 883 020
emexit@teknaware.com
www.teknaware.com

CENTRALLY SUPPLIED LUMINAIRES

Product code	Supply voltage	Input power	Luminous flux (lm)	Operation mode	Temperature range	Electrical installation	Weight (kg)
TWT9111	230 V AC/DC	3,3 VA / 3 W	120	Master monitoring CBU / C	-25...+70°C (+50°C for continuous operation)	2 x 2,5 mm ² -o-	0,35
TWT9112	230 V AC/DC	3,3 VA / 3 W	120	Slave monitoring CBU	-25...+70°C (+50°C for continuous operation)	2 x 2,5 mm ² -o-	0,35
TWT9110	230 V AC/DC	3,3 VA / 3 W	120	CBU	-25...+70°C (+50°C for continuous operation)	2 x 2,5 mm ² -o-	0,35
TWT9141	230 V AC/DC	7,7 VA / 7,1 W	360	Master monitoring CBU / C	-25...+70°C (+50°C for continuous operation)	2 x 2,5 mm ² -o-	0,35
TWT9142	230 V AC/DC	7,7 VA / 7,1 W	360	Slave monitoring CBU	-25...+70°C (+50°C for continuous operation)	2 x 2,5 mm ² -o-	0,35
TWT9140	230 V AC/DC	7,7 VA / 7,1 W	360	CBU	-25...+70°C (+50°C for continuous operation)	2 x 2,5 mm ² -o-	0,35

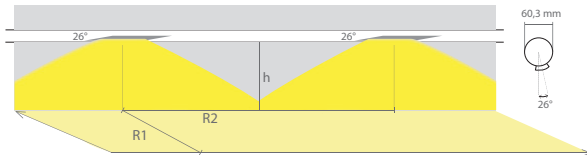
Light source: LED | Protection rating: IP65

Example of connection of one addressable MASTER, and two SLAVE lights (all the lights have the same address). Master light can also be used alone.



For non-addressable lights (TWT9110 & TWT9140) a normal through-wiring can be used.

EXAMPLE OF INSTALLATION OF A LIGHT (TWT914x versions) Pathway of subway tunnel (installation in a handrail, in 26° angle)



R1 distance from wall
R2 installation distance between lights

Mounting height h (m)	Average (lux)	At least (lux)	R1 (m)	R2 (m)
1	10,8	2,7	0,65	6,5