



EMERGENCY LIGHTING.



Teknoware – emergency lighting from Finland

Our history begins in 1972 when we started manufacturing fluorescent tube luminaires and their electronic ballasts for buses and trains. Teknoware's first emergency light was designed two years later.

Technology has evolved and our operations expanded over the years. Our emergency lighting products can now be found in properties all over the world. A lot has changed, but the same principles still apply: certainty, functionality and reliability.

Functionality is the lifeline of emergency lighting, but the trust our customers place in us is even more important. It forms the basis of their trust in the quality of our products and operations.

We create new solutions to improve the safety and functionality of different kinds of environments. The quality of our products is based on an unbroken chain: we control every step of the way from design to production and delivery. Each Teknoware product is manufactured by us, and we guarantee its quality. And this is the key to our success, now and in the future.





At your service

This catalogue presents our most important emergency lighting products. See our website for the entire product offering as well as news and information about events.

With the help of our global partner network, we assure you're always helped by an emergency lighting expert knowing the local requirements and best practices. You don't get a robot on the phone or a reply from a chatbot – your request will be handled by an emergency lighting expert. You can talk to them about anything related to the product, your order or the delivery.

Contact us

Please check your nearest official Teknoware partner from here: [teknoware.com](https://www.teknoware.com)

We will gladly assist you with:

- the choice of product and system
- interpretation of requirements and standards
- tenders
- projects
- orders
- deliveries
- product training.



You are holding the latest Teknoware product catalogue that presents our emergency lighting systems, related products and accessories, and our remote monitoring solutions.

206 Escap self-contained emergency lights with supercapacitor are environmentally friendly and maintenance-free.

Escap

13 Intelligent central battery units for different kinds of projects.

208 AaltoCtrl system for wireless monitoring of self-contained lights.

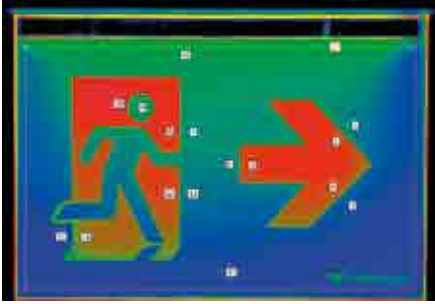
AaltoCtrl

10 MyTeknoware, emergency lighting management system as a cloud service.

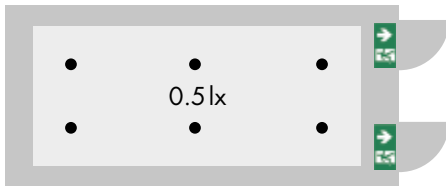
CONTENTS.

Contact information	3
Emergency lighting requirements and standards	6
Our technologies	8
MyTeknoware cloud service	10
Central battery units	12
Remote monitoring solutions	48
Centrally supplied luminaires	50
Self-contained systems	184
Escap supercapacitor luminaires	206
AaltoCtrl remote monitoring system	208
Self-contained luminaires	216
Warranty terms and frequently asked questions	348
Icons and abbreviations	349

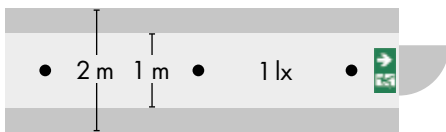
Emergency lighting requirements and standards




Luminance measurement according to EN 60598-2-22.



0.5 lux in the open area



Escape route, width 2 metres

- emergency light  exit



We use the Ulbricht sphere for the measurement of the luminous flux of luminaires in our lighting laboratory.

Purpose of emergency lighting

Emergency lighting is one of the most important safety systems in any property. It enables the quick and safe escape from the property in case of emergency. By definition, emergency lighting covers both emergency exit lights and emergency lights.

The required performance of emergency and emergency exit lights is specified in international standards. All our emergency and emergency exit lights and our central battery units meet the requirements of the applicable standards, and all the required documentation is available for them.

Emergency exit lights must be visible

The most important characteristic of emergency exit lights is visibility: the luminaires and their symbols must stand out from the surroundings both in normal lighting and when power is lost. All our emergency exit lights meet the requirements of the European standards **EN 1838** and **EN 60598-2-22**, including their photometric requirements.

Illuminance determines the placement of emergency lights

The emergency lighting standard **EN 60598-2-22** requires that the manufacturer of emergency lights specify the photometric performance of the luminaire. The purpose of emergency lights is to generate illuminance levels of minimum 1 lux for escape routes and minimum 0.5 lux for open areas, which are typical in Europe.

The photometric performance of the luminaire type must be known so that the emergency lights can be placed correctly in the property. The manufacturer of the luminaires must conduct measurements and simulations to verify the illuminance levels. We use professional testing equipment and test premises and can therefore guarantee the compliance of our luminaires.

Requirements applicable to central battery units

Implementing emergency lighting by means of a central battery system means that the emergency and emergency exit lights share a centralised back-up power source. Lighting can be controlled, managed and maintained centrally. All our central battery units meet the requirements of **EN 50171**.

Maintenance and responsibilities

The functionality of emergency lighting must be ensured by means of regular testing and maintenance.

The emergency exit lights must usually be always illuminated so that they can be seen both in the dark and in daylight. When assessing the condition of the system, it should be noted that LED signs become dimmer over the years and, finally, no longer meet the required standards. Light output can be assessed visually, but a specific device is required for the accurate measurement of the luminance for comparison against the standard values.

Any actions undertaken must be recorded in a log book that must be presented to the local authorities for review when requested.



Our technologies

Choosing an emergency lighting system

Emergency lighting can be implemented by one of two possible methods: as a system comprising self-contained emergency lights or as a system implemented using a central battery unit. In the self-contained system, each luminaire has its own power source – in the case of our self-contained emergency lights, this is a supercapacitor or a battery. In a centrally supplied system, a centralised battery is used.

Escap

Self-contained emergency lighting system with supercapacitors

A self-contained luminaire system with supercapacitors is a maintenance-free, durable and environmentally friendly solution for arranging the property's emergency lighting. The supercapacitors do not contain any dangerous substances and can be recycled as WEEE. The temperature range of supercapacitors is $-25^{\circ}\text{C} \dots +35^{\circ}\text{C}$. All Escap luminaires come with an extended 12-year product warranty. In practice, the Escap emergency exit lights and emergency lights are maintenance free throughout their lifecycle, up to 15 years or even longer.



Self-contained emergency lighting system with batteries

A self-contained emergency lighting system with batteries is a simple and low cost way of arranging emergency lighting in a property. You should note, however, that the lifetime of batteries is approximately half of that of supercapacitors. A self-contained emergency lighting system with batteries is best suited for properties where the batteries can be easily replaced.

LumiTest

LumiTest

Our self-contained emergency lights include the LumiTest functionality that automatically monitors and tests the luminaire reliably (except for the no-test models). The operation of the luminaire and its light source are tested daily and the duration test is conducted every six months. Two indicator LEDs, one green and one red, indicate the status of the luminaire. A red LED indicates that the luminaire has a fault.

AaltoCtrl

AaltoCtrl

The AaltoCtrl remote monitoring system enables wireless, centralised monitoring of self-contained lights. The system does not require data cabling between the luminaires, just the local power supply to the luminaires is sufficient.

TapsaCtrl

Central battery system

A centrally supplied emergency lighting system includes a centralised power supply, comprising the batteries, battery charging, switching of supply and the control and monitoring electronics. Emergency luminaires require very little maintenance, as batteries and related technology are separately located in one place with the central battery unit. The central battery unit also allows addressable monitoring of the luminaires without additional cabling.

All our addressable central battery units are TapsaCtrl compatible. TapsaCtrl is the brand name of our addressable control system. Data is transferred between the central battery unit and the luminaires connected to it through circuit cabling without the need for separate data cabling. A central battery unit can be equipped with remote monitoring which can be also integrated with building management system (BACnet).



Adaptive emergency lighting system

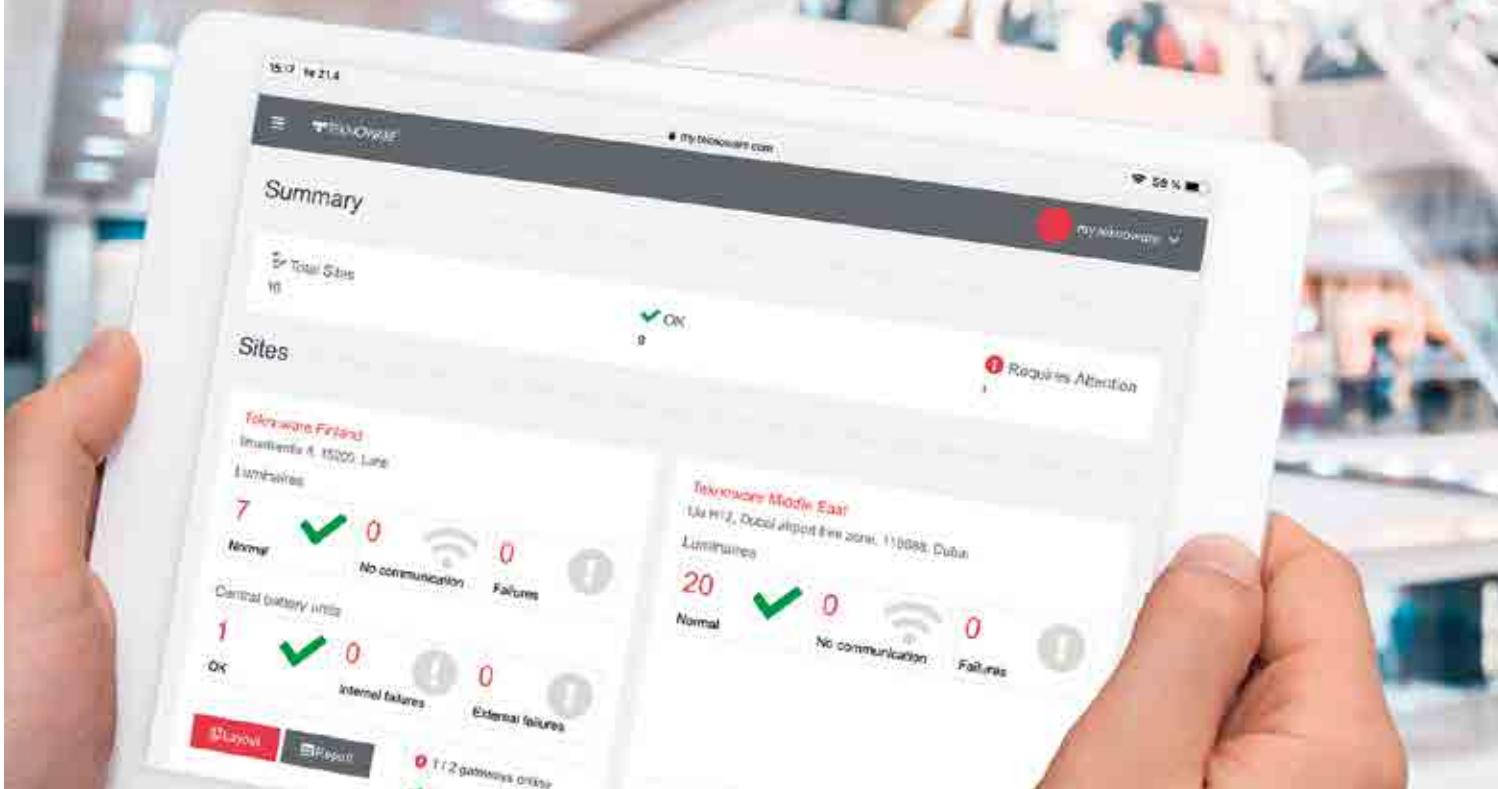
Our selection also includes adaptive emergency exit lights. They can be used to implement a system that adapts in real time according to the nature of danger and the location. People can, for example, be prohibited from entry into escape routes which have become dangerous. The purpose of the adaptive system is to speed up evacuation and increase evacuation safety. Ask our emergency lighting sales for more information.



Remote management for emergency lighting

Remote management of emergency lighting makes it easier to monitor the system. It provides continuous, real-time data of the emergency lighting system, and all the tests performed are saved in an electronic log. Centralised remote management is available for both the centrally supplied and the self-contained lighting systems. The remote monitoring system can also be integrated as a part of the building management system or provided as a cloud service.

MyTeknoware cloud service



MyTeknoware is a management and reporting solution for emergency lighting systems showing the status of them all in all of your properties at one time. This portal is provided as a cloud service, allowing you to sign in anywhere at any time without a separate software suite. MyTeknoware monitors the emergency lighting systems on your behalf and sends notifications to your email at the intervals of your choice.



You no longer need a separate terminal for remote monitoring or on-site visits for manual system checks. You only need an Internet connection and your mobile device or computer to use MyTeknoware. The simple user interface shows you the status of all your emergency lighting systems in the home view as well as any fault reports in real time regardless of the scope of the system. In addition to MyTeknoware licence, there's no initial investments needed prior taking the service into use. Just connecting MyTeknoware to a compatible Teknoware emergency lighting system is enough.



Why MyTeknoware?

All the data is available, quick and easy

An overview of your emergency lighting system in the portal. If you want to, you can also subscribe to receive summaries and alarms directly to your email. You can monitor the emergency lighting systems in your properties using any terminal device regardless of the time and location.

Saves time and money in maintenance operations

The service shows the status of your emergency lighting systems and the location of the luminaires in the property. This allows you to take the necessary spare parts with you and eliminates the need for unnecessary inspection rounds.

A safe way to meet the requirements of the authorities

A cloud service is a safe and easy way to collect and save the maintenance and test logs required by the authorities. MyTeknoware is based on the Amazon AWS system, which guarantees information security and the required updates.

COMPREHENSIVE SOLUTION WITHOUT SPECIFIC SOFTWARE OR ADDITIONAL COSTS



The browser-based solution guarantees that you can enter the portal at any time, anywhere

Separate software suites are no longer needed. You just need a terminal device, MyTeknoware licence, your user credentials and an Internet connection.



Controlling of self-contained and centrally supplied emergency lighting systems via a single portal

You can use the same user interface to control different types of systems. An unlimited number of emergency lighting systems and properties can be connected to the cloud service.



An unlimited number of users at different levels

An unlimited number of users with different levels of privileges can easily be added to the service. It ensures that each user can only see the information required and cannot modify settings without the required rights.

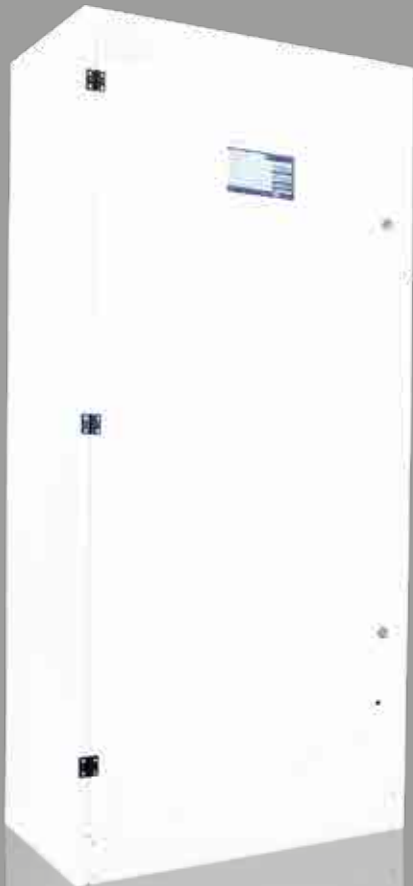


A future-proof system

We are continuously updating the cloud service and ensuring its safety. You can be sure that your data is safe in the future as well.



18 You can find information on our new 7 series addressable central battery units from page 18 onwards.



22 Teknoware 77C central battery unit is a smart and adaptable 230 V addressable central battery unit with touchscreen for large properties.



28 Teknoware 24C is a compact 24V addressable central battery unit.

50 With remote monitoring, you can free up time for other duties while easily ensuring the functionality of your system.





CENTRAL BATTERY SYSTEMS.

Selection table	16
Addressable central battery unit	14
Non-addressable central battery unit	14
Addressable central battery units	
75C central battery unit	18
76C central battery unit	20
77C central battery unit	22
78C central battery unit	24
65C central battery unit	26
24C central battery unit	28
Non-addressable central battery units	
65B central battery unit	30
31 and 41 central battery units	32
Accessories for central battery units	
Sealed lead acid batteries	34
Batteries inside the central unit	35
Battery cabinets	36
Examples of battery installations inside the battery cabinet	38
Accessories	40
Address modules	46
Remote monitoring solutions	48

Central battery system

In a centrally supplied system, the emergency and exit lights share a common power supply from a central battery unit. In its basic form, the central battery system monitors the mains voltage, maintains the charging of the batteries and supplies power to maintained luminaires in the normal mode. When mains supply is lost, the central battery unit supplies battery power to all the luminaires connected to it.

The structure of the emergency and emergency exit lights connected to the central battery unit is simple and economical because the luminaires do not have their own back-up power source. Batteries can be replaced centrally, and the system can be operated using a user panel.

TapsaCtrl – an addressable central battery unit

TapsaCtrl

In terms of lifecycle costs, the addressable central battery unit is the most economical solution for a centrally supplied emergency lighting solution. An addressable central battery unit has the benefit that in addition to the condition of the central battery unit, also the emergency and emergency exit lights connected to the system can be monitored centrally. Addressable central battery units are suitable for small solutions comprising a couple of dozen luminaires and one central battery unit, as well as for remotely managed solutions comprising thousands of luminaires. The system automatically performs the required luminaire and battery tests, which brings substantial savings in maintenance and repair, especially in large properties.

The system is easy to install since no separate data cables are needed. Information is transferred between the addressable central battery unit and the luminaires connected to it through circuit cabling. Since the system detects the connected luminaires automatically, it is also easy to commission and modify, if required.

The addressable system is compatible with our external modules and remote monitoring solutions. The external modules allow the separate control of luminaires according to the local needs, and the remote monitoring systems can be used for the centralised monitoring of several central battery units and for central data collection. Our addressable central battery units can also be connected to the building management system, making the monitoring and testing of emergency lighting a part of the property management.

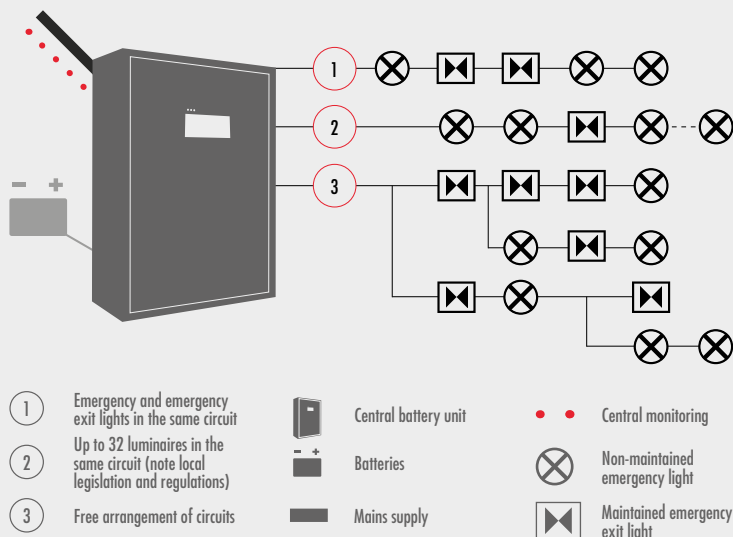
Non-addressable central battery unit

A non-addressable central battery unit is suitable for small or medium-sized properties where the monitoring and maintenance operations of the luminaires connected to the system can be performed manually.

All the operations related to the use of the system, such as testing the battery operation, can be performed through the system's user panel. The panel also has indicator lights for monitoring the battery status and for error notifications.

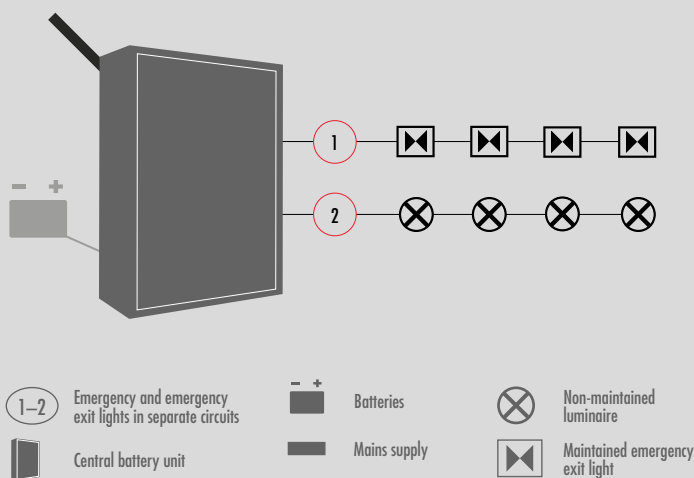
Central battery systems are often considered suitable only for larger properties, but taking the ease of the mandatory monitoring and maintenance into account, it may well be the best solution even for smaller projects of just a couple of dozen luminaires.

The emergency and emergency exit lights used with the central battery unit must be suitable for both AC and DC voltage supply. All our central battery units meet the requirements of EN 50171.



BENEFITS

- The system is self learning, with the possibility for automatic configuration during commissioning.
- Automatic monitoring of individual luminaires, as well as battery condition.
- Automatic luminaire testing at set intervals.
- Automatic battery duration testing at set intervals.
- Several options for controlling the luminaires and for remote system monitoring.
- Up to 32 luminaires can be included in the same circuit (please note local restrictions).
- According to the standards EN 50171 and EN 62034



BENEFITS

- Saves on maintenance and repair costs of the emergency lighting system.
- Centralised battery replacement is possible because the luminaires do not have their own back-up power source.
- All the operations related to the use of the central battery unit can be performed using a user panel.
- Meets the requirements of EN 50171.

Central battery units



75C

18



76C

20



77C

22



78C

24

Central battery unit

Page

BASIC INFORMATION

Nominal supply voltage	1~ N/PE 220–240 VAC 3~ N/PE 220–240 / 380–415 VAC, 50/60 Hz	3~ N/PE 220–240 / 380–415 VAC, 50/60 Hz	3~ N/PE 220–240 / 380–415 VAC, 50/60 Hz	1~ N/PE 220–240 VAC 3~ N/PE 220–240 / 380–415 VAC, 50/60 Hz
Nominal output voltage, mains supply	220–240 VAC	220–240 VAC	220–240 VAC	220–240 VAC
Nominal output voltage, battery supply	216 VDC	216 VDC	216 VDC	216 VDC
Max. battery capacity	65 Ah	150 Ah	450 Ah	65 Ah
Max. total load, mains supply	8,400 VA	8,400 VA	25,200 VA	8,400 VA
Max. total load, battery operation 1 h	6,000 W	8,400 W	25,200 W	6,000 W
Max. total load, battery operation 3 h	3,340 W	7,580 W	22,740 W	3,340 W
Number of circuits	4–24	4–24	24–72	4–24
Max. load/circuit	350 VA / W 700 VA / W 1,400 VA / W	350 VA / W 700 VA / W 1,400 VA / W	350 VA / W 700 VA / W 1,400 VA / W	350 VA / W 700 VA / W 1,400 VA / W
Max. number of luminaires per circuit	32	32	32	32
IP class	31	31	31	31
Parallel connection of circuits	□	□	□	□

FEATURES

Automatic testing of the central battery unit	□	□	□	□
Automatic testing	□	□	□	□
Circuit monitoring	–	–	–	–
Touchscreen	□	□	□	□

OPTIONAL FEATURES OF CENTRAL BATTERY UNIT

LCD display	□	□	□	□
BACnet interface	TST7701	TST7701	TST7701	TST7701
ACM connection	□	□	□	□
WebCM connection (Ethernet)	–	–	–	–
WebACM connection (Ethernet)	□	□	□	□

COMPATIBILITY OF EXTERNAL SYSTEM MODULES

MyTeknoware licence	•	•	•	•
Local Controller	•	•	•	•
IC connection	TST7750	TST7750	TST7750	TST7750
Switch controller	•	•	•	•
Address module	•	•	•	•



65C

26



24C

28



65B

30



31

32



41

32

BASIC INFORMATION

1~ N/PE
220–240 VAC,
50/60 Hz

1~ N/PE
220–240 VAC,
50/60 Hz

1~ N/PE
220–240 VAC,
50/60 Hz

1~ N/PE
220–240 VAC,
50/60 Hz

1~ N/PE
220–240 VAC,
50/60 Hz

220–240 VAC

24 VAC

220–240 VAC

24 VAC

24 VAC

216 VDC

24 VDC

216 VDC

24 VDC

24 VDC

65 Ah

38 Ah

65 Ah

24 Ah

100 Ah

2,580 VA

400 VA

2,580 VA

250 VA

1,050 VA

6,000 W

400 W

6,000 W

290 W

1,370 W

3,340 W

190 W

3,340 W

135 W

565 W

8–24

4–8

8–24

4

8–16

250 VA/W

60 VA/W

250 VA/W

120 VA / 190 W

120 VA / 190 W

16

32

–

–

–

20/34

20

20

20

20

–

–

–

–

–

FEATURES

□

□

–

–

–

□

□

–

–

–

□

–

–

–

–

–

–

–

–

–

OPTIONAL FEATURES OF CENTRAL BATTERY UNIT

TST6532

□

–

–

–

TST6501

–

–

–

–

TST6521

□

–

–

–

TST6524

–

–

–

–

TST6526

–

–

–

–

COMPATIBILITY OF EXTERNAL SYSTEM MODULES

–

–

–

–

–

•

–

•

–

–

TST6551, TST6552,
TST6553

–

–

–

–

•

–

•

–

–

•

–

•

–

–

75C

Addressable 230 V central battery unit

230V	1~ N/PE 220-240 VAC 50/60 Hz	3~ N/PE 220-240 / 380-415 VAC, 50/60 Hz	IP 31
RAL 9003	 OTHER RAL COLOURS BY ORDER	IC	TapsaCtrl
CE	EN 50171	EN 62034	

A smart and flexible 230 V addressable central battery unit with a touchscreen for small to medium-sized properties

The 75C central battery unit adapts to your needs flexibly, making it a long life and environmentally friendly option.

The automatic identification of addresses makes the system quick and easy to commission. The system is user-friendly, thanks to the touchscreen and the logical user interface. All tests and possible deviations in operation are stored in the internal memory, helping the maintenance of the system. The modular structure of the system allows an easy replacement of the internal electrical units. The 7 series is compatible with all our 230 V addressable luminaires, which makes it easy to upgrade an old central battery system. The central battery unit is easily upgraded according to the number of luminaires in the property.

Depending on the model, the 75C central battery unit has 4–24 output circuits. Max. battery capacity 65 Ah.



Automatic testing

The system takes care of testing automatically.

Self-learning system

Quick and easy commissioning. Automatic identification of addressable luminaires.

Simple cabling

No separate data cabling, as data is transferred via output circuit cables.

Several user profiles

Specification of user levels as necessary.

Easy to use

Touchscreen with a logical user interface as a default.

Capacity of output circuits can be increased

Parallel connection possible up to 1,400 W.

Flexible

Number of output circuits 4–24 depending on the model.

TapsaCtrl compatible

Compatible with all our 230 V addressable luminaires.

Quick backups

Backup copying of the entire system to a USB drive.

Easy maintenance

All tests and deviations in operation are stored in the internal memory.

Modular structure

Electrical modules are easy to replace thanks to the modular structure.



HIGHLIGHTS



AUTOMATIC TESTING



TOUCH-SCREEN



SEVERAL USER PROFILES



MODULAR

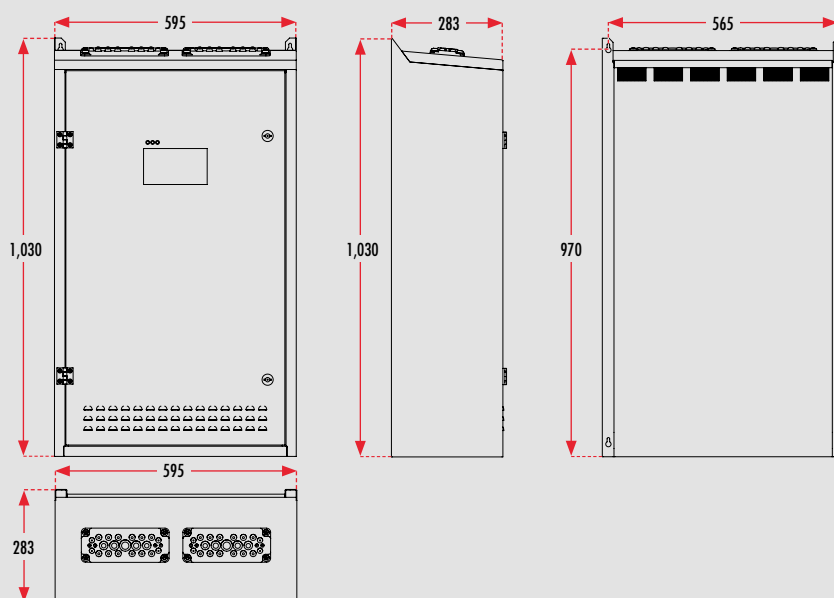
Technical data

Product code	Max. input power, mains supply	Number of output circuits	Max. total load, mains supply	Max. total load, battery operation 1 h	Max. total load, battery operation 3 h	Weight
Nominal supply voltage 1~ N/PE 220–240 VAC, 50/60 Hz						
TKT7504CP	2515 VA	4 x 350 VA	1400 VA	1400 W	1400 W	56.2 kg
TKT7508CP	3695 VA	8 x 350 VA	2580 VA	2800 W	2800 W	57 kg
TKT7516CP	3695 VA	16 x 350 VA	2580 VA	5600 W	3340 W	58.6 kg
TKT7524CP	3695 VA	24 x 350 VA	2580 VA	6000 W	3340 W	60.2 kg
Nominal supply voltage 3~ N/PE 220–240 / 380–415 VAC, 50/60 Hz						
TKT7508CFP	3915 VA	8 x 350 VA	2800 VA	2800 W	2800 W	57 kg
TKT7516CFP	6715 VA	16 x 350 VA	5600 VA	5600 W	3340 W	58.6 kg
TKT7524CFP	9515 VA	24 x 350 VA	8400 VA	6000 W	3340 W	60.2 kg

System: 230 VAC/DC | **Batteries required:** 18 x 12 V (216 V) | Short circuit current required in the circuit cable with a 2.5 A fuse and 0.4 s cut-off time: 10 A | 4 x 350 VA, 2 x 700 VA or 1 x 1,400 VA parallel connections possible | Max. circuit cable length 500 m | **Max. inrush current:** 350 W circuit (an individual circuit): 120 A/1 ms | 700 W circuit (two circuits in parallel): 250 A/1 ms | 1,400 W circuit (four circuits in parallel): 300 A/1 ms | Up to 32 luminaires can be mounted in a circuit (in the EU, regulated to 20 luminaires/circuit).

Dimensions [mm]

75C central battery unit



Further information on additional accessories, p. 40 onwards

Batteries (18 needed)

Product code	Battery size	Max. total load, operation 1 h	Max. total load, operation 3 h	Suitable battery cabinet	Suitable battery cables	Dimensions	Weight
TEA020	6.5 Ah	680 W	280 W	TK6500B(P)	XJ997B	151 x 65 x 102 mm	2.5 kg
TEA021	15 Ah	1920 W	790 W	TK6500B(P)	XJ997	183 x 79 x 169 mm	5.7 kg
TEA022	24 Ah	2700 W	1120 W	TK6500B x 2 TK6500BP x 3	XJ997C XJ997E	167 x 177 x 126 mm	7.9 kg
TEA023	38 Ah	3770 W	1730 W	TK6500B x 2 TK6500BP x 3	XJ997C XJ997E	199 x 167 x 172 mm	12.2 kg
TEA024	65 Ah	6600 W	3030 W	TKT6600P x 2 TKT6500(P) x 3	XJ997C XJ997E	350 x 169 x 180 mm	19.2 kg

A 10 % reserve is recommended for the loads mentioned in the table (W)

Optional accessories

Product code	Product description	Operation
TST7750	IC interface	7 series
TST7504, TST7508, TST7516, TST7524	Terminal blocks *	75C, 76C and 78C central battery units



* Separate DIN rail output connectors. By default, the output circuits are connected directly to the changeover modules.

Optional remote monitoring systems

Product code	Product description	Operation
TWC1000	MyTeknoware licence	7 series
TST7561	WebACM software	7 series
TST7531	ACM software	7 series

76C

Addressable 230 V central battery unit

230V	3~ N/PE 220-240 / 380-415 VAC, 50/60 Hz	IP 31	
RAL 9003	 OTHER RAL COLOURS BY ORDER	IC	TapsaCtrl
CE	EN 50171	EN 62034	

A smart and flexible 230 V addressable central battery unit with a touchscreen for small to medium-sized and large properties

The 76C central battery unit adapts to your needs flexibly, making a 7 series system a long life and environmentally friendly option.

The automatic identification of addresses makes the system quick and easy to commission. The system is user-friendly, thanks to the touchscreen and the logical user interface. All tests and possible deviations in operation are stored in the internal memory, helping the maintenance of the system. The modular structure of the system allows an easy replacement of the internal electrical units. The 7 series is compatible with all our 230 V addressable luminaires, which makes it easy to upgrade an old central battery system. The central battery unit is easily upgraded according to the number of luminaires in the property.

Depending on the model, the 76C central battery unit has 4–24 output circuits. Max. battery capacity 150 Ah.



Automatic testing

The system takes care of testing automatically.

Self-learning system

Quick and easy commissioning. Automatic identification of luminaire addresses.

Simple cabling

No separate data cabling, as data is transferred via output circuit cables.

Several user profiles

Specification of user levels as necessary.

Easy to use

Touchscreen with a logical user interface as a default.

Capacity of output circuits can be increased

Parallel connection possible up to 1,400 W.

Flexible

Number of output circuits 4–24 depending on the model.

TapsaCtrl compatible

Compatible with all our 230 V addressable luminaires.

Quick backups

Backup copying of the entire system to a USB drive.

Easy maintenance

All tests and deviations in operation are stored in the internal memory.

Modular structure

Electrical modules are easy to replace thanks to the modular structure.



HIGHLIGHTS



AUTOMATIC TESTING



TOUCH-SCREEN



SEVERAL USER PROFILES



MODULAR

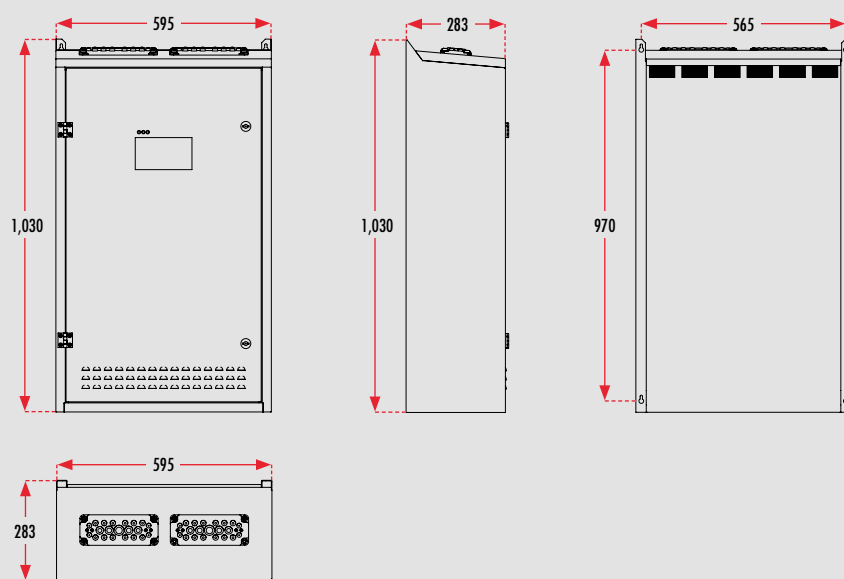
Technical data

Product code	Max. input power mains supply	Number of output circuits	Max. total load, mains supply	Max. total load, battery operation 1 h	Max. total load, battery operation 3 h	Weight
Nominal supply voltage 3~ N/PE 220–240 / 380–415 VAC, 50/60 Hz						
TKT7604CFP	4165 VA	4 x 350 VA	1400 VA	1400 W	1400 W	46 kg
TKT7608CFP	5565 VA	8 x 350 VA	2800 VA	2800 W	2800 W	46.8 kg
TKT7616CFP	8365 VA	16 x 350 VA	5600 VA	5600 W	5600 W	48.4 kg
TKT7624CFP	11165 VA	24 x 350 VA	8400 VA	8400 W	7580 W	50 kg

System: 230 VAC/DC | **Batteries required:** 18 x 12 V (216 V) | Short circuit current required in the circuit cable with a 2.5 A fuse and 0.4 s cut-off time: 10 A | 4 x 350 VA, 2 x 700 VA or 1 x 1,400 VA parallel connections possible | Max. circuit cable length 500 m | **Max. inrush current:** 350 W circuit (an individual circuit): 120 A/1 ms | 700 W circuit (two circuits in parallel): 250 A/1 ms | 1,400 W circuit (four circuits in parallel): 300 A/1 ms | Up to 32 luminaires can be mounted in a circuit (in the EU, regulated to 20 luminaires/circuit).

Dimensions [mm]

76C central battery unit



Further information on additional accessories, p. 40 onwards

Batteries (18 needed)

Product code	Battery size	Max. total load, operation 1 h	Max. total load, operation 3 h	Suitable battery cabinet	Suitable battery cables	Dimensions	Weight
TEA024	65 Ah	6600 W	3030 W	TKT6600P x 2 TKT6500(P) x 3	XJ997C XJ997E	350 x 169 x 180 mm	19.2 kg
TEA024B	100 Ah	10140 W	4660 W	TKT6600P x 2 TKT6500(P) x 3	XJ997C XJ997E	305 x 168 x 228 mm	30.8 kg
TEA024D	150 Ah	15230 W	7250 W	TKT6600P x 2	XJ997H	485 x 172 x 240 mm	47 kg

A 10% reserve is recommended for the loads mentioned in the table (W)

Optional accessories

Product code	Product description	Operation
TST7750	IC interface	7 series
TST7504, TST7508, TST7516, TST7524	Terminal blocks *	75C, 76C and 78C central battery units



* Separate DIN rail output connectors. By default, the output circuits are connected directly to the changeover modules.

Optional remote monitoring systems

Product code	Product description	Operation
TWC1000	MyTeknoware licence	7 series
TST7561	WebACM software	7 series
TST7531	ACM software	7 series

77C

Addressable 230 V central battery unit

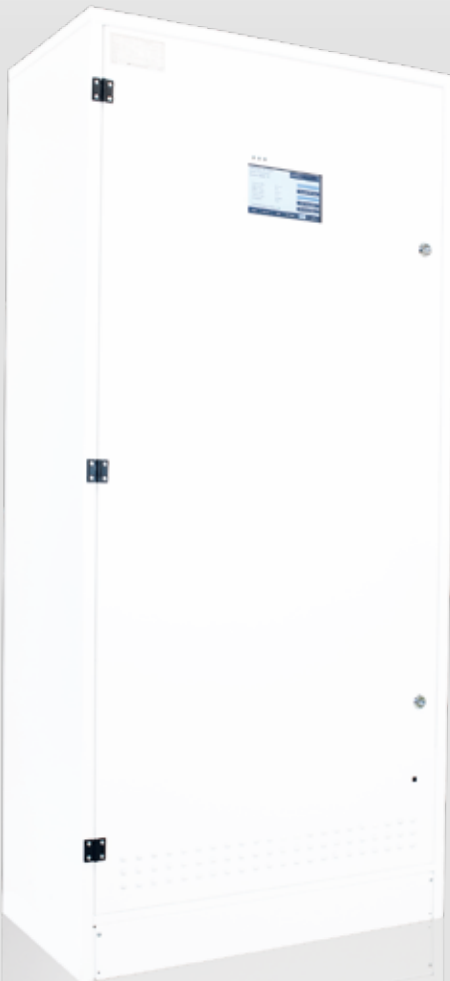
230V	3~ N/PE 220-240 / 380-415 VAC, 50/60 Hz	IP 31	
RAL 9003	 OTHER RAL COLOURS BY ORDER	IC	TapsaCtrl
CE	EN 50171	EN 62034	

An efficient and flexible 230 V addressable central battery unit with a touchscreen for large properties

The 77C adapts to your needs flexibly, making a 7 series system a long life and environmentally friendly option.

The automatic identification of addresses makes the system quick and easy to commission. The system is easy to use, thanks to the touchscreen and the logical user interface. All tests and possible deviations in operation are stored in the internal memory, helping the maintenance of the system. The modular structure of the system allows an easy replacement of the internal electrical units. The 7 series is compatible with all our 230 V addressable luminaires, which makes it easy to upgrade an old central battery system. The central battery unit is easily upgraded according to the number of luminaires in the property.

Depending on the model, the 77C central battery unit has 24–72 output circuits. Max. battery capacity 450 Ah (with additional chargers, see p. 23 for more information).



Automatic testing

The system takes care of testing automatically.

Self-learning system

Quick and easy commissioning. Automatic identification of luminaire addresses.

Simple cabling

No separate data cabling, as data is transferred via output circuit cables.

Several user profiles

Specification of user levels as necessary.

Easy to use

Touchscreen with a logical user interface as a default.

Capacity of output circuits can be increased

Parallel connection possible up to 1,400 W.

Flexible

Number of output circuits 24–72 depending on the model.

TapsaCtrl compatible

Compatible with all our 230 V addressable luminaires.

Quick backups

Backup copying of the entire system to a USB drive.

Easy maintenance

All tests and deviations in operation are stored in the internal memory.

Modular structure

Electrical modules are easy to replace thanks to the modular structure.



HIGHLIGHTS



AUTOMATIC TESTING



TOUCH-SCREEN



SEVERAL USER PROFILES



MODULAR



MAX. BATTERY CAPACITY 450 AH

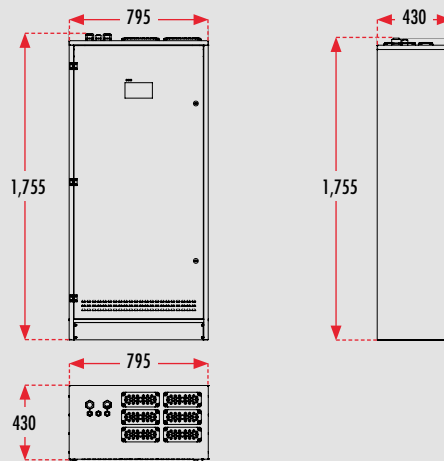
Technical data

Product code	Max. input power mains supply	Number of output circuits	Max. total load, mains supply	Max. total load, battery operation 1 h	Max. total load, battery operation 3 h	Weight
Nominal supply voltage 3~ N/PE 220–240 / 380–415 VAC, 50/60 Hz						
TKT7724CP	16695 VA	24 x 350 VA	8400 VA	8400 W	8400 W	102.2 kg
TKT7732CP	19510 VA	32 x 350 VA	11200 VA	11200 W	11200 W	106.5 kg
TKT7740CP	22310 VA	40 x 350 VA	14000 VA	14000 W	14000 W	108.1 kg
TKT7748CP	25110 VA	48 x 350 VA	16800 VA	16800 W	16800 W	109.7 kg
TKT7756CP	27910 VA	56 x 350 VA	19600 VA	19600 W	19600 W	114 kg
TKT7764CP	30710 VA	64 x 350 VA	22400 VA	22400 W	22400 W	115.6 kg
TKT7772CP	33510 VA	72 x 350 VA	25200 VA	25200 W	22740 W	117.2 kg

System: 230 VAC/DC | **Batteries required:** 18 x 12 V (216 V) | Short circuit current required in the circuit cable with a 2.5 A fuse and 0.4 s cut-off time: 10 A | 4 x 350 VA, 2 x 700 VA or 1 x 1,400 VA parallel connections possible | Max. circuit cable length 500 m | **Max. inrush current:** 350 W circuit (an individual circuit): 120 A/1 ms | 700 W circuit (two circuits in parallel): 250 A/1 ms | 1,400 W circuit (four circuits in parallel): 300 A/1 ms | Up to 32 luminaires can be mounted in a circuit (in the EU, regulated to 20 luminaires/circuit).

Dimensions [mm]

77C central battery unit



Further information on additional accessories, p. 40 onwards

Batteries (18 needed)

Product code	Battery size	Max. total load, operation 1 h	Max. total load, operation 3 h	Suitable battery cabinet	Suitable battery cables	Dimensions	Weight
TEA024	65 Ah	6600 W	3030 W	TKT6600P x 2 TKT6500(P) x 3	XJ997C XJ997E	350 x 169 x 180 mm	19.2 kg
TEA024B	100 Ah	10140 W	4660 W	TKT6500P x 2 TKT6500(P) x 3	XJ997C XJ997E	305 x 168 x 228 mm	30.8 kg
TEA024D	150 Ah	15230 W	7250 W	TKT6600P x 2	XJ997H	485 x 172 x 240 mm	47 kg
TEA024C	200 Ah	20280 W	9330 W	–	–	522 x 238 x 240 mm	65 kg
2 x TEA024D	300 (2 x 150) Ah	25500 W	14500 W	–	–		
2 x TEA024C	400 (2 x 200) Ah	–	18660 W	–	–		
3 x TEA024D	450 (3 x 150) Ah	–	21750 W	–	–		

A 10% reserve is recommended for the loads mentioned in the table (W)

Optional accessories

Product code	Product description	Operation
TST7750	IC interface	7 series
TST7724, TST7732, TST7740, TST7748, TST7756, TST7764, TST7772	Terminal blocks *	77C central battery unit
TST7741	150 Ah auxiliary charger	77C central battery unit


Note that one charger can charge a max. 150 Ah batteries
* Separate DIN rail output connectors. By default, the output circuits are connected directly to the changeover modules.

Optional remote monitoring systems

Product code	Product description	Operation
TWC1000	MyTeknoware licence	7 series
TST7561	WebACM software	7 series
TST7531	ACM software	7 series

78C

Addressable 230 V central battery unit

230V	1~ N/PE 220-240 VAC 50/60 Hz	3~ N/PE 220-240 / 380-415 VAC, 50/60 Hz	IP 31
RAL 9003	 OTHER RAL COLOURS BY ORDER	IC	TapsaCtrl
CE	EN 50171	EN 62034	

A smart and flexible 230 V addressable central battery unit with a touchscreen and an integrated battery cabinet for small to medium-sized properties.

The 78C adapts to your needs flexibly, making a 7 series system a long life and environmentally friendly option.

The automatic identification of addresses makes the system quick and easy to commission. The system is easy to use, thanks to the touchscreen and the logical user interface. All tests and possible deviations in operation are stored in the internal memory, helping the maintenance of the system. The modular structure of the system allows an easy replacement of the internal electrical units. The 7 series is compatible with all our 230 V addressable luminaires, which makes it easy to upgrade an old central battery system. The central battery unit is easily upgraded according to the number of luminaires in the property.

Depending on the model, the 78C central battery unit has 4–24 output circuits. Max. battery capacity 65 Ah. The unit includes an integrated battery space.



Automatic testing

The system takes care of testing automatically.

Self-learning system

Quick and easy commissioning.
Automatic identification of luminaire addresses.

Simple cabling

No separate data cabling, as data is transferred via output circuit cables.

Integrated battery space

The unit includes an integrated battery space.

Several user profiles

Specification of user levels as necessary.

Easy to use

Touchscreen with a logical user interface as a default.

Capacity of output circuits can be increased

Parallel connection possible up to 1,400 W.

Flexible

Number of output circuits 4–24 depending on the model.

TapsaCtrl compatible

Compatible with all our 230 V addressable luminaires.

Quick backups

Backup copying of the entire system to a USB drive.

Easy maintenance

All tests and deviations in operation are stored in the internal memory.

Modular structure

Electrical modules are easy to replace thanks to the modular structure.



HIGHLIGHTS



AUTOMATIC TESTING



TOUCH-SCREEN



SEVERAL USER PROFILES



MODULAR



INTEGRATED BATTERY SPACE

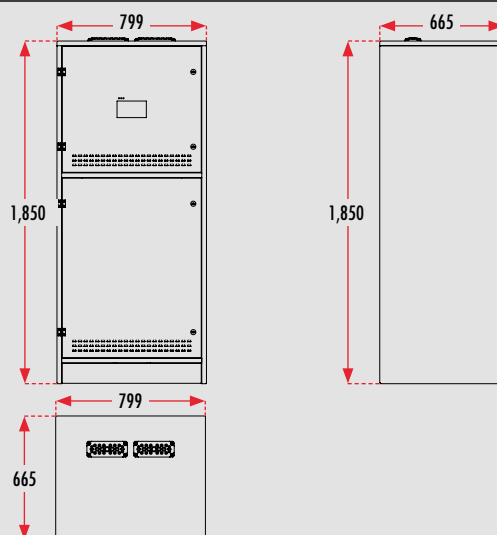
Technical data

Product code	Max. input power mains supply	Number of output circuits	Max. total load, mains supply	Max. total load, battery operation 1 h	Max. total load, battery operation 3 h	Weight
Nominal supply voltage 1~ N/PE 220–240 VAC, 50/60 Hz						
TKT7804CP	2515 VA	4 x 350 VA	1400 VA	1400 W	1400 W	141 kg
TKT7808CP	3695 VA	8 x 350 VA	2580 VA	2800 W	2800 W	141.8 kg
TKT7816CP	3695 VA	16 x 350 VA	2580 VA	5600 W	3340 W	143.4 kg
TKT7824CP	3695 VA	24 x 350 VA	2580 VA	6000 W	3340 W	145 kg
Nominal supply voltage 3~ N/PE 220–240 / 380–415 VAC, 50/60 Hz						
TKT7804CFP	2515 VA	4 x 350 VA	1400 VA	1400 W	1400 W	141 kg
TKT7808CFP	3915 VA	8 x 350 VA	2800 VA	2800 W	2800 W	141.8 kg
TKT7816CFP	6715 VA	16 x 350 W	5600 VA	5600 W	3340 W	143.4 kg
TKT7824CFP	9515 VA	24 x 350 W	8400 VA	6000 W	3340 W	145 kg

System: 230 VAC/DC | **Batteries required:** 18 x 12 V (216 V) | Short circuit current required in the circuit cable with a 2.5 A fuse and 0.4 s cut-off time: 10 A | 4 x 350 VA, 2 x 700 VA or 1 x 1,400 VA parallel connections possible | Max. circuit cable length 500 m | **Max. inrush current:** 350 W circuit (an individual circuit): 120 A/1 ms | 700 W circuit (two circuits in parallel): 250 A/1 ms | 1,400 W circuit (four circuits in parallel): 300 A/1 ms | Up to 32 luminaires can be mounted in a circuit (in the EU, regulated to 20 luminaires/circuit).

Dimensions [mm]

78C central battery unit



Further information on additional accessories, p. 40 onwards

Batteries (18 needed)

Product code	Battery size	Max. total load, operation 1 h	Max. total load, operation 3 h	Suitable battery cables	Dimensions	Weight
TEA020	6.5 Ah	680 W	280 W	XJ997B	151 x 65 x 102 mm	2.5 kg
TEA021	15 Ah	1920 W	790 W	Required battery cables are included in the delivery	183 x 79 x 169 mm	5.7 kg
TEA022	24 Ah	2700 W	1120 W	Required battery cables are included in the delivery	167 x 177 x 126 mm	7.9 kg
TEA023	38 Ah	3770 W	1730 W	Required battery cables are included in the delivery	199 x 167 x 172 mm	12.2 kg
TEA024	65 Ah	6600 W	3030 W	Required battery cables are included in the delivery	350 x 169 x 180 mm	19.2 kg

| A 10% reserve is recommended for the loads mentioned in the table (W)

Optional accessories

Product code	Product description	Operation
TST7750	IC interface	7 series
TST7504, TST7508, TST7516, TST7524	Terminal blocks *	75C, 76C and 78C central battery units


| * Separate DIN rail output connectors. By default, the output circuits are connected directly to the changeover modules.

Optional remote monitoring systems

Product code	Product description	Operation
TWC1000	MyTeknoware licence	7 series
TST7561	WebACM software	7 series
TST7531	ACM software	7 series

65C

Addressable 230 V central battery unit

230V	1~ N/PE 220-240 VAC 50/60 Hz	IP 20	IP 34
RAL 9003	IC	TapsaCtrl	
CE	EN 50171	EN 62034	

An efficient 230 V addressable central battery unit for small to medium-sized properties

The 65C central battery unit is optimal for small properties, but may be also used in bigger projects, when dividing the emergency lighting into several independent areas.

The system has 8, 16 or 24 output circuits depending on the type. Maintained and non-maintained luminaires can be installed in the same circuit. Maximum 16 addressable luminaires can be connected to one circuit. Cabinet of the 65CP central battery unit is equipped with a door and has IP34 rating.



Simple cabling

No separate data cabling, as data is transferred via output circuit cables.

Automatic testing

The system takes care of testing automatically.

TapsaCtrl compatible

Compatible with all our 230 V addressable luminaires.

Flexible

8, 16 or 24 output circuits.

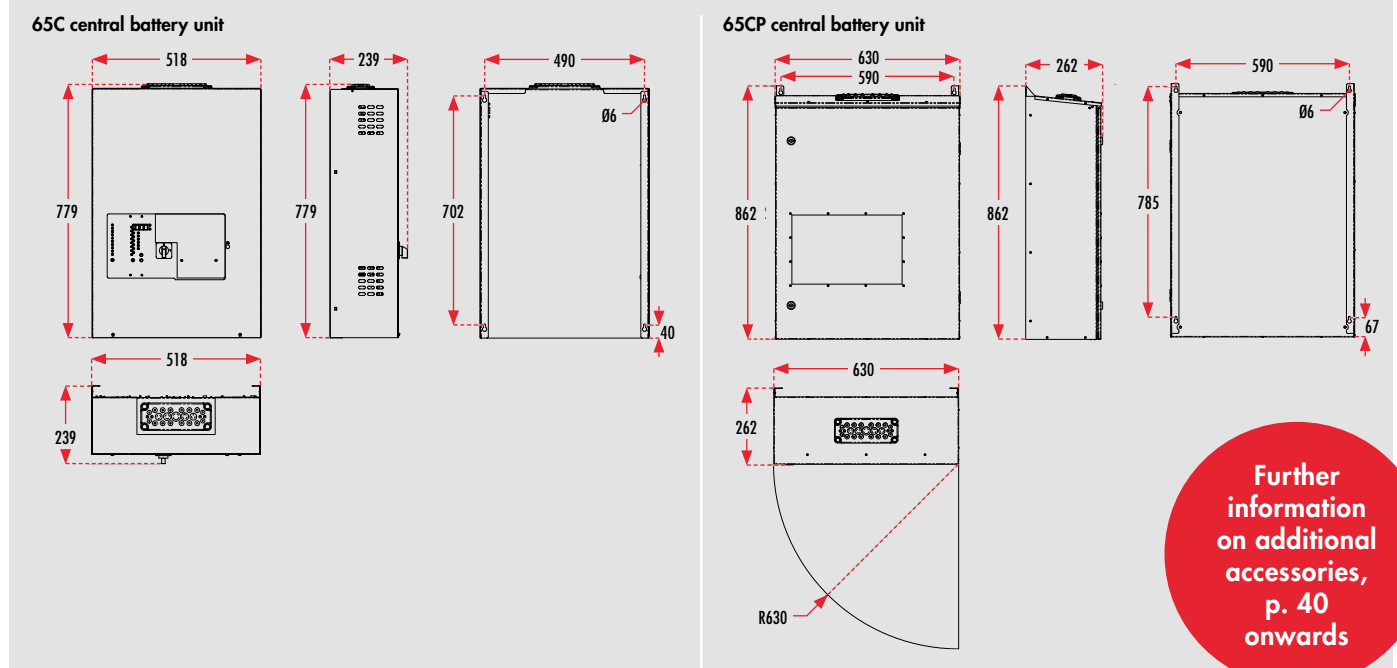


Technical data

Product code	Max. input power mains supply	Number of output circuits	Max. total load, mains supply	Max. total load, battery operation 1 h	Max. total load, battery operation 3 h	Weight
Nominal supply voltage 1~ N/PE 220-240 VAC, 50 Hz						
TKT6508C	3100 VA	8 x 250 VA	2000 VA	2000 W	2000 W	29.5 kg
TKT6508CP	3100 VA	8 x 250 VA	2000 VA	2000 W	2000 W	49.5 kg
TKT6516C	3680 VA	16 x 250 VA	2580 VA	4000 W	3340 W	30 kg
TKT6516CP	3680 VA	16 x 250 VA	2580 VA	4000 W	3340 W	50 kg
TKT6524C	3680 VA	24 x 250 VA	2580 VA	6000 W	3340 W	30.5 kg
TKT6524CP	3680 VA	24 x 250 VA	2580 VA	6000 W	3340 W	50.5 kg

System: 230 VAC/DC | **Batteries required:** 18 x 12 V (216 V) | **Max. battery capacity:** 65 Ah | Short circuit current required in the circuit cable with a 1.6 A fuse and 0.4 s cut-off time: 7 A | **Max. output circuit cable length** 500 m | **Max. inrush current** (individual circuit): 120 A / 1 ms
 | "P" at the end of product code: has a door, IP34 enclosure

Dimensions [mm]



Batteries (18 needed)

Product code	Battery size	Max. total load, operation 1 h	Max. total load, operation 3 h	Suitable battery cabinet	Suitable battery cables	Dimensions	Weight
TEA020	6.5 Ah	680 W	280 W	TK6500B(P)	XJ997B	151 x 65 x 102 mm	2.5 kg
TEA021	15 Ah	1920 W	790 W	TK6500B(P)	XJ997	183 x 79 x 169 mm	5.7 kg
TEA022	24 Ah	2700 W	1120 W	TK6500B x 2 TK6500BP x 3	XJ997C XJ997E	167 x 177 x 126 mm	7.9 kg
TEA023	38 Ah	3770 W	1730 W	TK6500B x 2 TK6500BP x 3	XJ997C XJ997E	199 x 167 x 172 mm	12.2 kg
TEA024	65 Ah	6600 W	3030 W	TKT6600P x 2 TKT6500(P) x 3	XJ997C XJ997E	350 x 169 x 180 mm	19.2 kg

| A 10% reserve is recommended for the loads mentioned in the table (W)
 | **Further information about the batteries, battery cabinets and battery cables, p. 34 onwards**

Optional accessories

Product code	Product description	Operation
TST6532	LCD display module	65 series
TST6551	IC interface 8x250 W circuits	TKT6508C(P)-unit
TST6552	IC interface 16x250 W circuits	TKT6516C(P)-unit
TST6553	IC interface 24x250 W circuits	TKT6516C(P)-unit

Optional remote monitoring systems

Product code	Product description	Operation
TST6501	BACnet interface	65C central battery unit
TST6521	ACM connection	65C central battery unit
TST6524	WebCM connection	65C central battery unit
TST6526	WebACM connection	65C central battery unit
TST5161	WebACM software	65C central battery unit
TST5131	ACM software	65C central battery unit

24C

Addressable 24 V central battery unit

24V	1~ N/PE 220-240 VAC 50/60 Hz	IP 20
RAL 9003	TapsaCtrl	
CE	EN 50171	EN 62034

A compact 24 V addressable central battery unit for small to medium-sized properties

In addition to small installations, the 24 V system is optimal for properties where emergency lighting is divided into several independent areas.

Although the 24 C system is compact in size, it has also an integrated compartment for batteries. It's the most cost-efficient solution for implementing addressable emergency lighting with central battery unit. If there are several 24 C systems in the property, it's easy to monitor them via optional ACM monitoring software.



Saving in cabling costs

No need for fire proof cabling when system is within one fire zone.

Safe

The system is password protected and the cabinet cannot be opened without tools.

Self-learning system

Quick and easy commissioning.
Data is transferred via output circuit cables.

Automatic testing

After mounting, the system takes care of testing automatically.

On-screen reporting

Quick overview of faults and system status at a glance.

Compact

Depth only 112 mm, weight (excluding the batteries) under 12 kg (TKT2404).

Optional ACM remote monitoring

Option for automatic notifications by e-mail.

Luminaire protection class III

Safe 24 V voltage in output circuits for luminaires.

Elegant

Minimalistic, clear style.



HIGHLIGHTS



**EMERGENCY LIGHTING
BY FIRE ZONE**



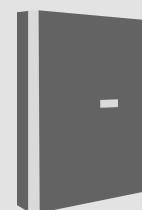
**AUTOMATIC
TESTING**



**EASY TO
INSTALL**



**INTEGRATED
BATTERY SPACE**



**ELEGANT AND
COMPACT**

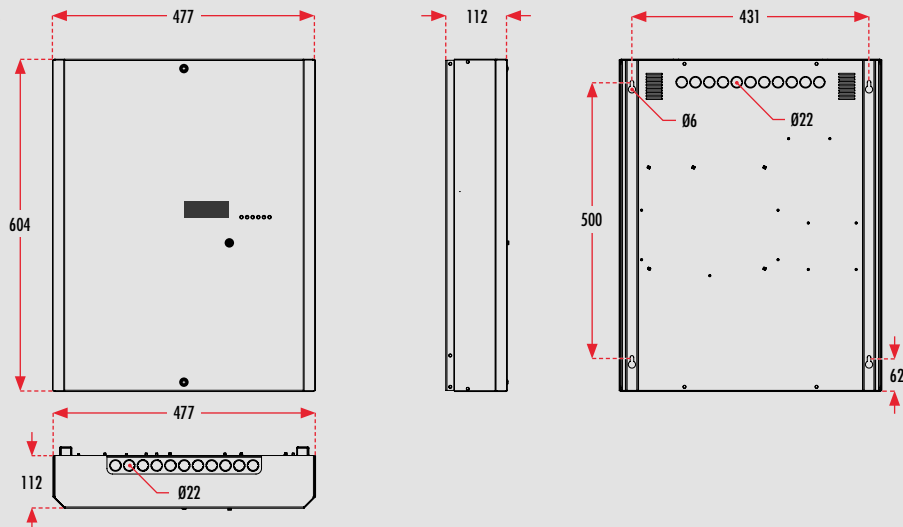
Technical data

Product code	Max. input power, mains supply	Number of output circuits	Max. total load, mains operation	Max. total load, battery operation 1 h	Max. total load, battery operation 3 h	Integrated battery space	Max. battery capacity	Weight
Nominal supply voltage 1~ N PE 220–240 VAC, 50 Hz								
TKT2404C	400 VA	4 x 60 VA	240 VA	210 W	90 W	2 x 12 V / 17 Ah	17 Ah	11.1 kg
TKT2408C	700 VA	8 x 60 VA	400 VA	400 W	190 W	2 x 12 V / 38 Ah	38 Ah	16 kg

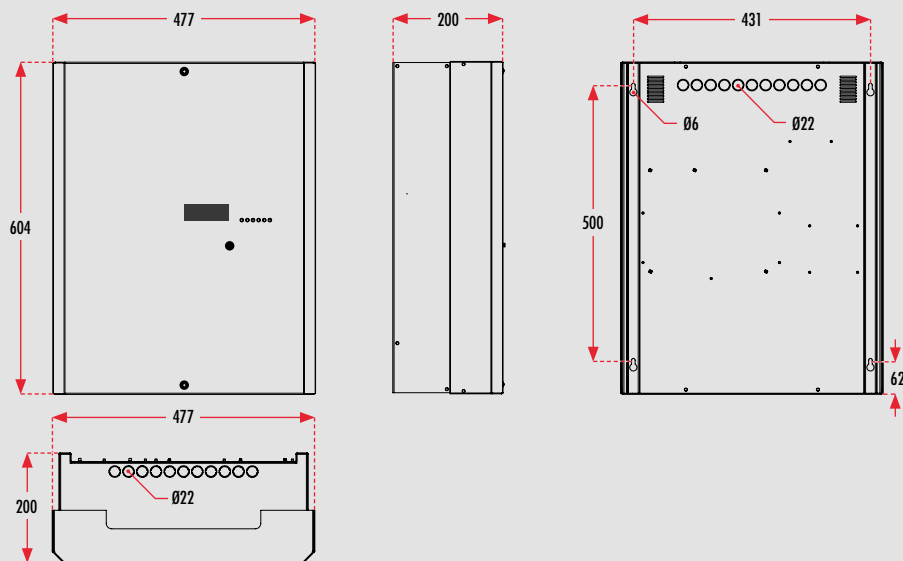
System: 24 V AC/DC | Batteries required: 2 x 12 V (24 V) | Max. circuit cable length 500 m

Dimensions [mm]

2404C central battery unit



2408C central battery unit



Further information on additional accessories, p. 40 onwards

Batteries (2 needed)

Product code	Battery size	Max. total load, operation 1 h	Max. total load, operation 3 h	Dimensions	Weight
TEA021	15 Ah	210 W	90 W	183 x 79 x 169 mm	5.7 kg
TEA023	38 Ah	400 W	190 W	199 x 167 x 172 mm	12.2 kg

A 10% reserve is recommended for the loads mentioned in the table (W)

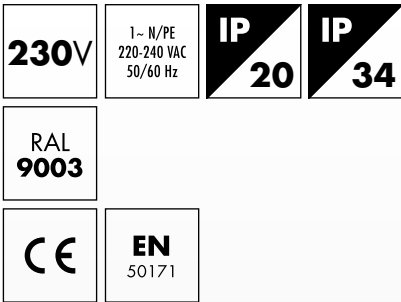
Further information about the batteries, battery cabinets and battery cables, p. 32 onwards

Optional remote monitoring systems

Product code	Product description	Operation
TST2431	ACM software	24 C systems

65B

Non-addressable 230 V central battery unit



An economical 230 V non-addressable central battery unit for small to medium-sized properties

The 65B central battery unit is a simple solution for implementing emergency lighting in the property with central battery unit.

Depending on the type of the unit, the system has 6, 12, 18 or 24 output circuits. These can be set as either maintained or non-maintained. Cabinet of the 65BP central battery unit is equipped with a door and has IP34 rating.



For small to medium-sized properties

A simple, easy-to-use system.

Multiple output circuit options

Depending on the type of the unit, the system has 6, 12, 18 or 24 output circuits.



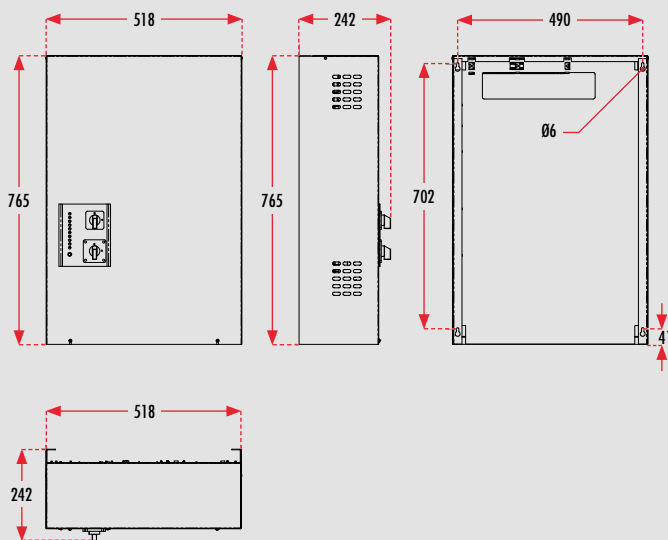
Technical data

Product code	Max. input power mains supply	Number of output circuits	Max. total load, mains supply	Max. total load, battery operation 1 h	Max. total load, battery operation 3 h	Weight
Nominal supply voltage 1 ~ N/PE 220–240 VAC, 50 Hz						
TKT6506B	2600 VA	6 x 250 VA	1500 VA	1500 W	1500 W	27.8 kg
TKT6506BP	2600 VA	6 x 250 VA	1500 VA	1500 W	1500 W	27.8 kg
TKT6512B	3680 VA	12 x 250 VA	2580 VA	3000 W	3000 W	30 kg
TKT6512BP	3680 VA	12 x 250 VA	2580 VA	3000 W	3000 W	30 kg
TKT6518B	3680 VA	18 x 250 VA	2580 VA	4500 W	3340 W	31 kg
TKT6518BP	3680 VA	18 x 250 VA	2580 VA	4500 W	3340 W	31 kg
TKT6524B	3680 VA	24 x 250 VA	2580 VA	6000 W	3340 W	31.6 kg
TKT6524BP	3680 VA	24 x 250 W	2580 VA	6000 W	3340 W	31.6 kg

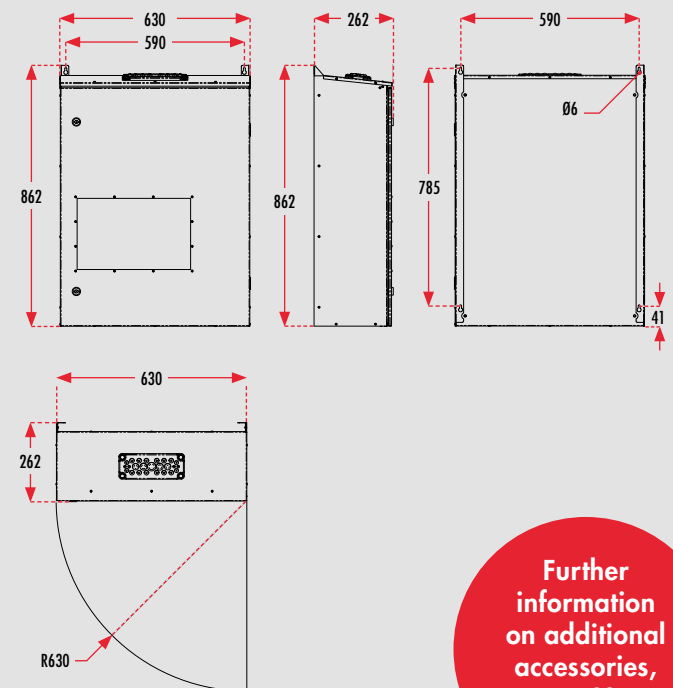
| **System:** 230 VAC/DC | **Batteries required:** 18 x 12 V (216 V) | **Max. battery capacity:** 65 Ah | Short circuit current required in the circuit cable with a 4 A fuse and 0.4 s cut-off time: 11 A | **Max. inrush current** (individual circuit): 120 A / 1 ms | "P" at the end of product code: has a door, IP34 enclosure

Dimensions [mm]

65B central battery unit



65BP central battery unit



Further information on additional accessories, p. 40 onwards

Batteries (18 needed)

Product code	Battery size	Max. total load, battery operation 1 h	Max. total load, battery operation 3 h	Suitable battery cabinet	Suitable battery cables	Dimensions	Weight
TEA020	6.5 Ah	680 W	280 W	TK6500B(P)	XJ997B	151 x 65 x 102 mm	2.5 kg
TEA021	15 Ah	1920 W	790 W	TK6500B(P)	XJ997	183 x 79 x 169 mm	5.7 kg
TEA022	24 Ah	2700 W	1120 W	TK6500B x 2 TK6500BP x 3	XJ997C XJ997E	167 x 177 x 126 mm	7.9 kg
TEA023	38 Ah	3770 W	1730 W	TK6500B x 2 TK6500BP x 3	XJ997C XJ997E	199 x 167 x 172 mm	12.2 kg
TEA024	65 Ah	6600 W	3030 W	TKT6600P x 2 TKT6500(P) x 3	XJ997C XJ997E	350 x 169 x 180 mm	19.2 kg

| A 10% reserve is recommended for the loads mentioned in the table (W)
| **Further information about the batteries, battery cabinets and battery cables, p. 32 onwards**

31 & 41

Non-addressable 24 V central battery unit



An easy to use, economical 24 V non-addressable central battery unit for small properties and renovation projects

The 31 and 41 central battery units are an easy and economical solution for supplying a relatively small number of luminaires in a limited area. These systems are especially suitable for properties and premises where the system is to be divided into several independent areas.

The 31 system has 4 output circuits. The 41 system has 8 or 16 output circuits depending on the type. These can be set as either maintained or non-maintained at 2-circuit intervals.



For small properties

Suitable for small properties and premises where the system is divided into several independent areas.

31 central battery unit

TKT3122 has 4 output circuits.

41 central battery unit

TKT4144 and TKT4188 have 8 or 16 output circuits depending on the type.



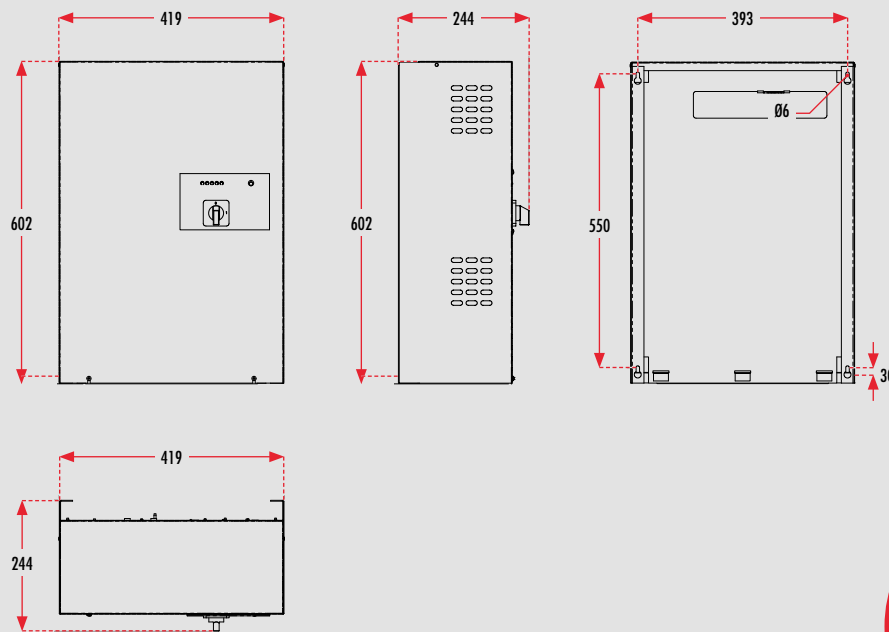
Technical data

Product code	Max. input power, mains supply	Output circuits	Max. total load, mains supply	Max. total load, battery operation 1 h	Max. total load, battery operation 3 h	Integrated battery space	Max. battery capacity	Weight
Nominal supply voltage 1 ~ N/PE 220–240 VAC, 50 Hz								
TKT3122	300 VA	4 x 120 VA	250 VA	290 W	135 W	2 x 12 V / 24 Ah	24 Ah	12.5 kg
TKT4144	1300 VA	8 x 120 VA	960 VA	960 W	565 W	2 x 12 V/ 38 Ah	100 Ah	24 kg
TKT4188	1300 VA	16 x 120 VA	1050 VA	1370 W	565 W	2 x 12 V/ 38 Ah	100 Ah	24.5 kg

System: 24 V AC/DC | **Batteries required:** 2 x 12 V (24 V) | The circuits can be connected as maintained (max. 120 VA) or non-maintained (max. 190 VA) at two-circuit intervals

Dimensions [mm]

31 & 41 central battery unit



Further information on additional accessories, p. 40 onwards

Batteries (2 needed)

Product code	Battery size	Max. total load, battery operation 1 h	Max. total load, battery operation 3 h	Suitable battery cabinet	Suitable battery cables	Dimensions	Weight
TEA020	6.5 Ah	70 W	30 W			151 x 65 x 98 mm	2.4 kg
TEA021	15 Ah	210 W	90 W			181 x 76 x 167 mm	5.9 kg
TEA022	24 Ah	300 W	120 W			166 x 175 x 125 mm	8.7 kg
TEA023	38 Ah	420 W	190 W			197 x 165 x 173 mm	13.8 kg
TEA024	65 Ah	730 W	340 W	TK4100	XJ996	350 x 166 x 174 mm	22.8 kg
TEA024B	100 Ah	1120 W	520 W	TK2310	XJ996	327 x 168 x 210 mm	33.5 kg

Note the max. battery capacity of TKT3122, 2 x 24 Ah | A +10% reserve is recommended for the battery in addition to the loads mentioned in the table
Minimum battery capacity 6.5 Ah | **Additional information about the batteries, battery cabinets and battery cables, p. 34 onwards**

Sealed lead acid batteries

Product code	Battery size	Dimensions	Weight
TEA020	6.5 Ah / 12 V	151 x 65 x 98 mm	2.4 kg
TEA021	15 Ah / 12 V	181 x 76 x 167 mm	5.9 kg
TEA022	24 Ah / 12 V	166 x 175 x 125 mm	8.7 kg
TEA023	38 Ah / 12 V	197 x 165 x 173 mm	13.8 kg
TEA024	65 Ah / 12 V	350 x 166 x 174 mm	22.8 kg
TEA024B	100 Ah / 12 V	327 x 168 x 210 mm	33.5 kg
TEA024D	150 Ah / 12 V	485 x 172 x 240 mm	47.0 kg
TEA024C	200 Ah / 12 V	522 x 238 x 240 mm	65 kg



TEA024

Battery cables

Battery cables are required between the battery cabinet and the central unit

Product code	Battery cable length	Operation	Compatibility
XJ995	1.5 m	for 6.5 Ah batteries	31 and 41 central battery units
XJ996	1.5 m	for ≥15 Ah batteries	31 and 41 central battery units
XJ997B	1.5 m	for 6.5 Ah batteries	65 and 7 series
XJ997	1.5 m	for ≥15 Ah batteries	65 and 7 series
XJ997C	2.5 m	for 2 battery cabinets	65 and 7 series
XJ997E	3.5 m	for 3 TKT6500 cabinets	65 and 7 series
XJ997H	3 m	for 2 TKT6600P cabinets	65 and 7 series

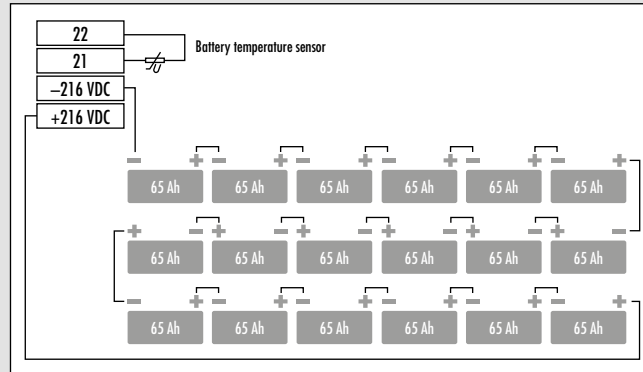
| Battery cable length = from the central battery unit connector, incl. connection and peeling reserve

| The item includes the cables between the central unit and the battery cabinet as well as between battery cabinets

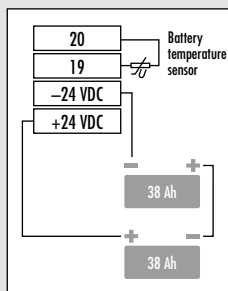
Batteries inside the central unit

Examples of battery installations inside the central unit.

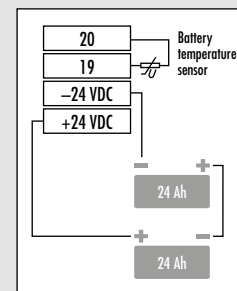
78C central battery unit



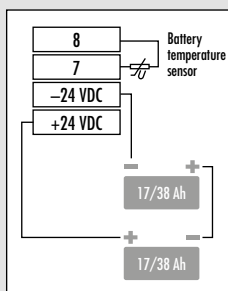
41 central battery unit



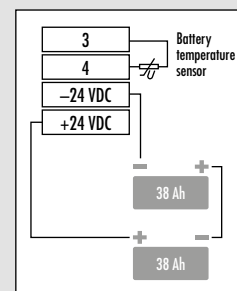
31 central battery unit



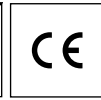
24C central battery unit



23 central battery unit



Battery cabinets



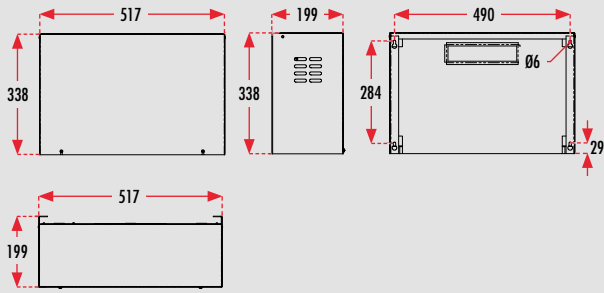
In case the central battery unit doesn't have an integrated compartment for batteries, a separate battery cabinet (or several, depending on the size and number of batteries) is needed.

Product code	Space for batteries	IP Class	Weight
TK2300	2 x 12 V / 38 Ah	IP20	6.3 kg
TK2310	2 x 12 V / 150 Ah	IP20	15.5 kg
TK4100	2 x 12 V / 65 Ah	IP20	10 kg
TK6500B	18 x 12 V / 15 Ah	IP20	14 kg
TK6500BP	18 x 12 V / 15 Ah	IP34	19 kg
TKT6500	6 x 12 V / 100 Ah	IP20	28 kg
TKT6500P	6 x 12 V / 100 Ah	IP34	35 kg
TKT6600P	9 x 12 V / 150 Ah	IP34	56 kg

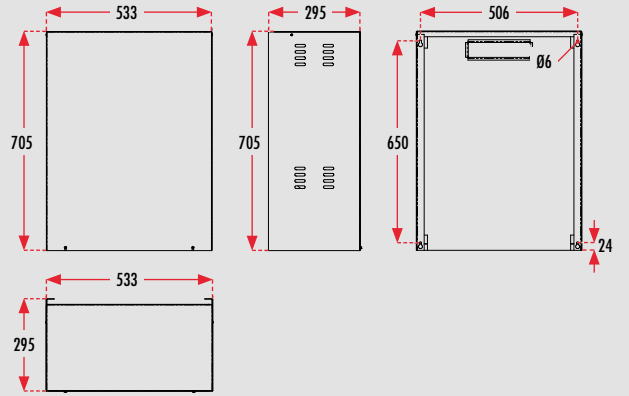


Dimensions [mm]

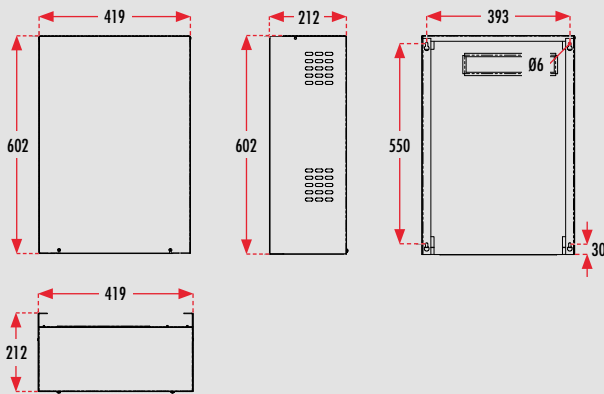
TK2300



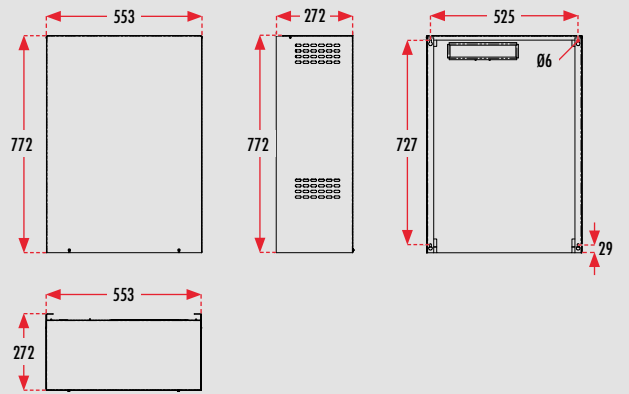
TK2310



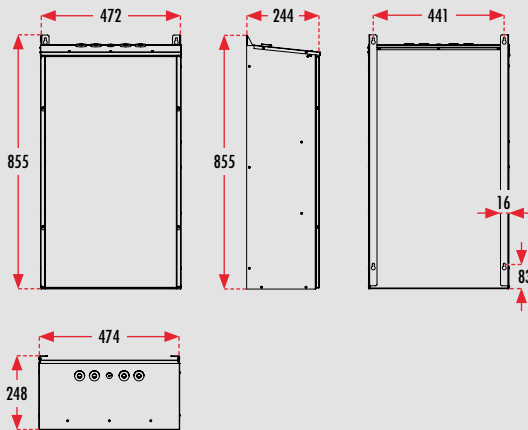
TK4100



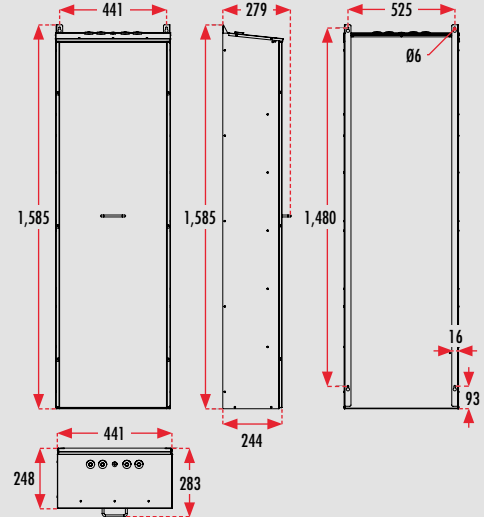
TK6500B



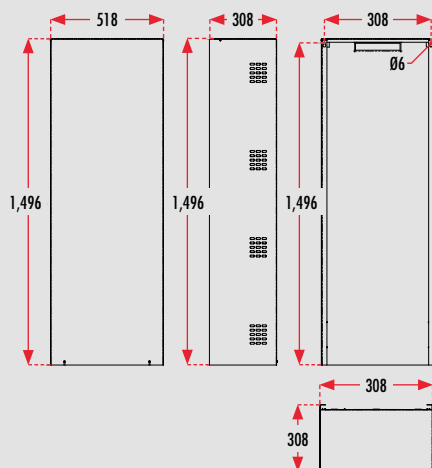
TK6500BP



TKT6500P



TKT6500



TKT6600P

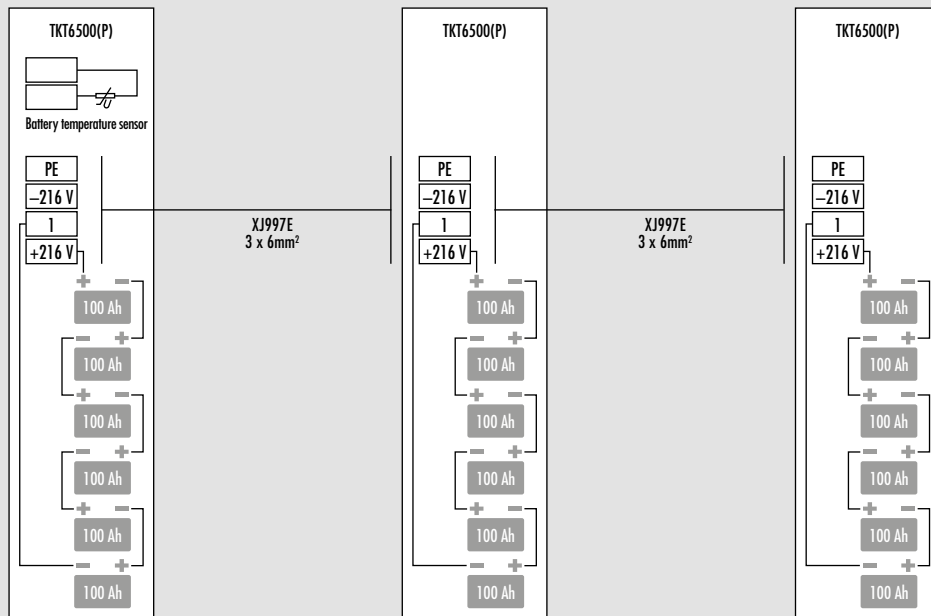


Battery cabinets

Examples of battery installations inside a battery cabinet

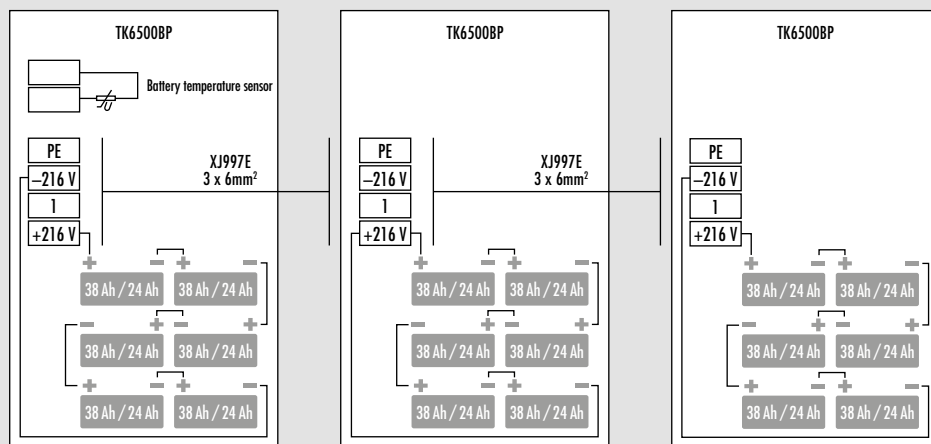
Battery cabinet TKT6500(P)

3 x TKT6500(P)
XJ997E
18 x TEA024B



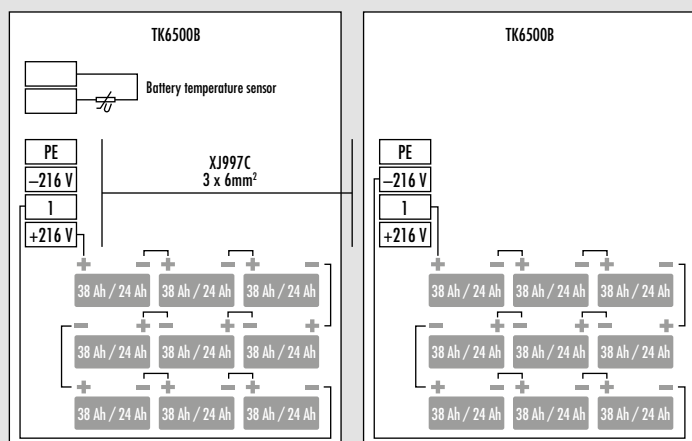
Battery cabinet TK6500B(P)

1.
3 x TK6500BP
XJ997E
18 x TEA022/
18 x TEA023



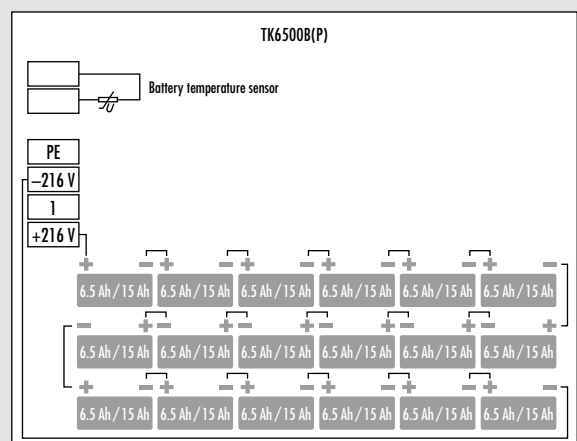
2.

2 x TK6500B
XJ997C
18 x TEA022/
18 x TEA023

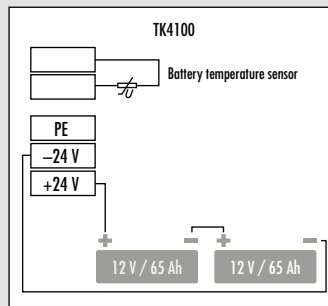


3.

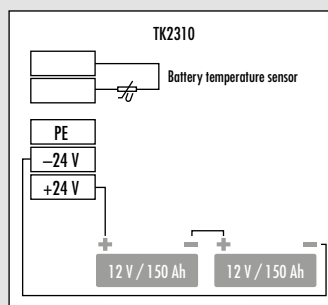
1 x TK6500B
XJ997(B)
18 x TEA020/
18 x TEA021



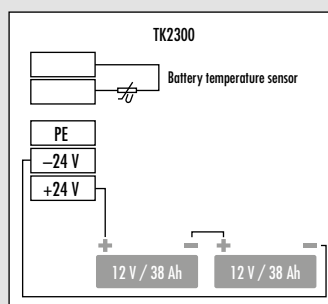
Battery cabinet TK4100



Battery cabinet TK2310



Battery cabinet TK2300

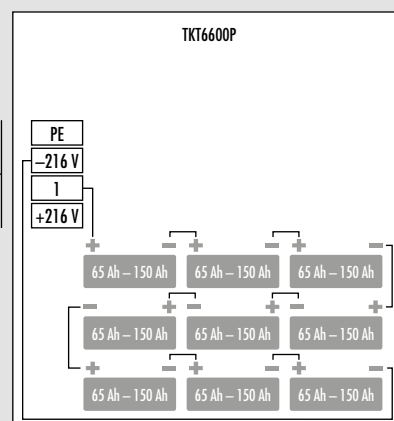
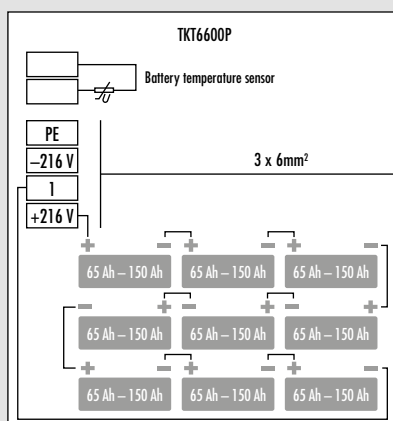


Battery cabinet TKT6600P

1.

2 x TKT6600P
XJ997C
18 x TEAO24/
18 x TEAO24B

2 x TKT6600P
XJ997H
18 x TEAO24D



Accessories

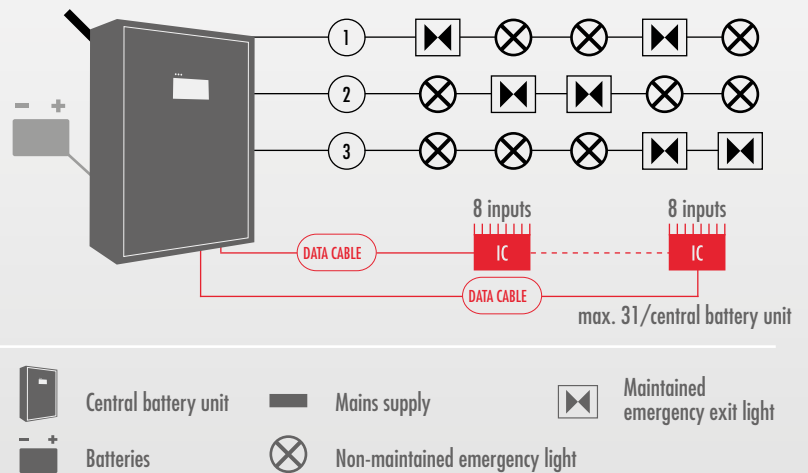
Intelligent Controller



For controlling non-maintained addressable emergency lights using freely chosen voltage inputs

The Intelligent Controller system (IC) enables controlling of non-maintained addressable emergency luminaires in various different situations. When the voltage in one or several distribution boards drops out, the selected emergency lights turn on with AC voltage. The emergency lights can also be used for general lighting, controlled e.g. by a switch or a motion sensor.

The IC system is compatible with our addressable 230 V central battery units and our addressable emergency luminaires. In addition to the IC Input module, an IC-interface including PC software is also required.



Product code	Product description	Dimensions
TST8801	IC Input module	105 x 90 x 58 mm

Product code	Product description	Operation
TST6551	IC interface + IC PC software	TKT6508C
TST6552	IC interface + IC PC software	TKT6516C
TST6553	IC interface + IC PC software	TKT6524C
TST7750	IC interface + IC 2 PC software	7 series

Phase Controller module



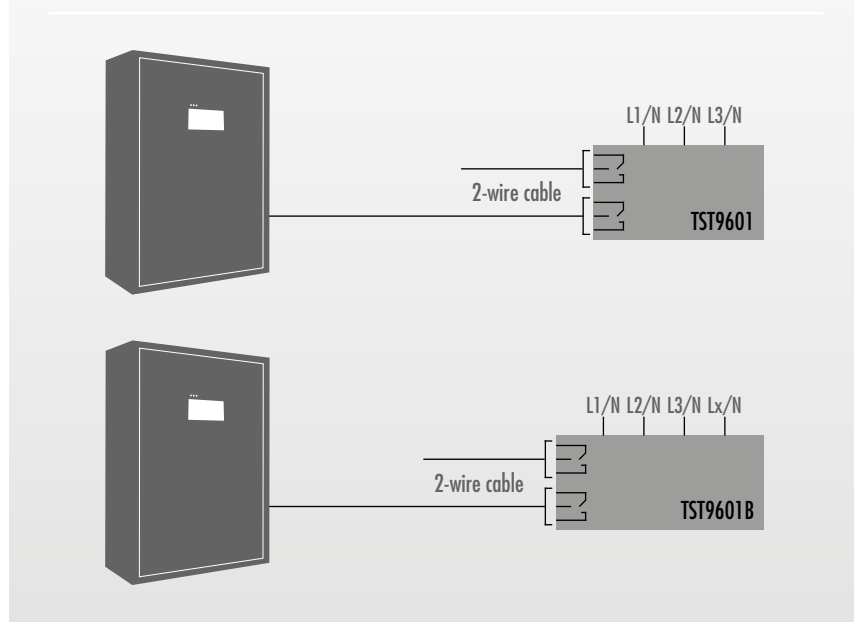
TST9601



TST9601B

For phase monitoring of local distribution boards

The Phase Controller modules can be used for monitoring one to four phases in local distribution boards. The Phase Controller modules include two voltage free relay outputs that are activated when one or more of the circuits monitored drop out or are missing. NO or NC switching can be used for the relay outputs, and they can also be used for controlling other devices. Phase Controller can be used to switch on the addressable emergency lights, or to turn the whole system into battery mode, depending on the connection in the central battery unit.



Product code	Nominal supply voltage	Features	Dimensions
TST9601	220–240 V, 50/60 Hz AC, DC	3-phase controller module	117 x 84 x 43 mm
TST9601B	220–240 V, 50/60 Hz AC, DC	4-phase controller module	105 x 90 x 58 mm

Terminal blocks

Terminal blocks for series 7 central battery units with push-in connection

Terminal blocks are accessories for series 7 central battery units. They facilitate the wiring and commissioning of the system. Terminal blocks have push-in connections, and they are suitable for 4–72 circuits, depending on the product.

Product code	Product description	Operation
TST7504	For 4 circuits	75C, 76C and 78C central battery units
TST7508	For 8 circuits	75C, 76C and 78C central battery units
TST7516	For 16 circuits	75C, 76C and 78C central battery units
TST7524	For 24 circuits	75C, 76C and 78C central battery units
TST7724	For 24 circuits	77C central battery unit
TST7732	For 32 circuits	77C central battery unit
TST7740	For 40 circuits	77C central battery unit
TST7748	For 48 circuits	77C central battery unit
TST7756	For 56 circuits	77C central battery unit
TST7764	For 64 circuits	77C central battery unit
TST7772	For 72 circuits	77C central battery unit

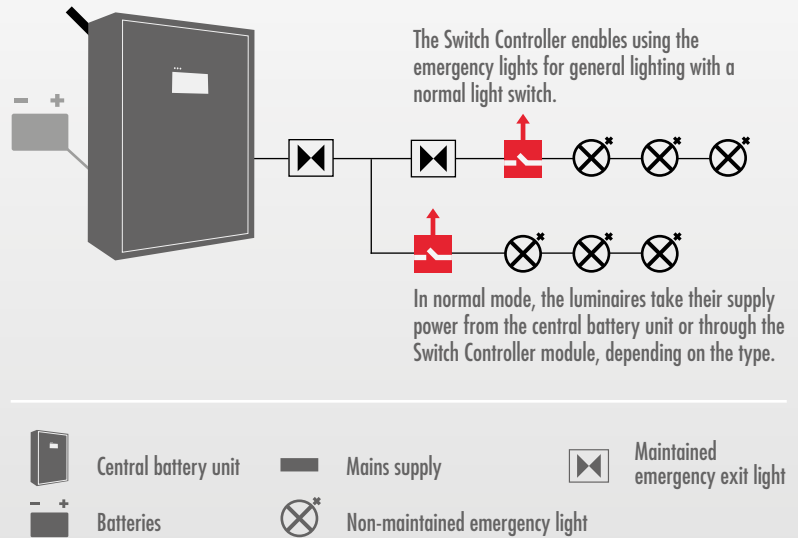
Switch Controller module



For controlling emergency luminaires connected to the central battery unit in normal mode using a light switch

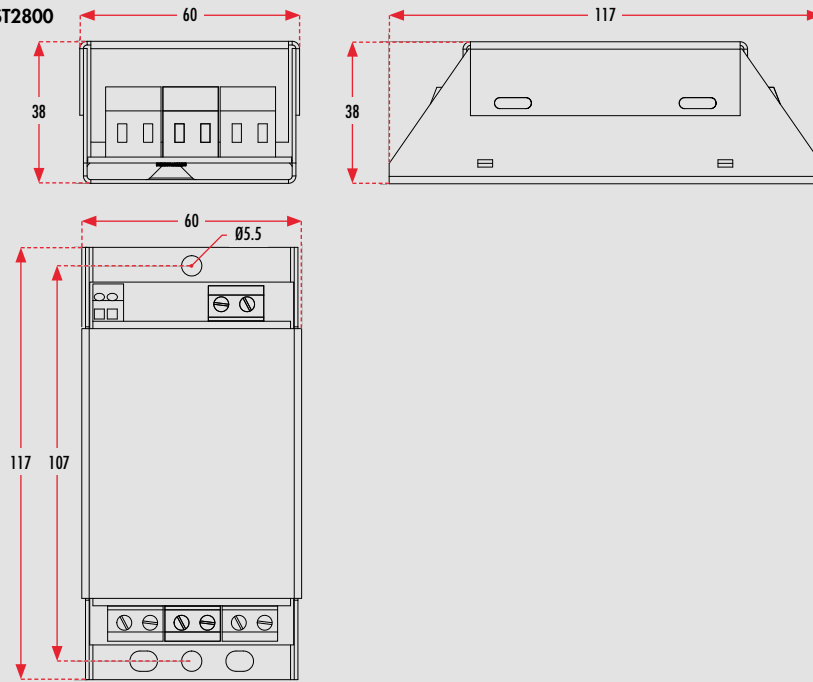
In normal mode (AC), the Switch Controller controls the emergency lights connected to the central battery unit with a light switch. When the central battery unit turns into emergency mode (DC), the Switch Controller turns on the emergency luminaires regardless of the position of the light switch.

The Switch Controller may also be used with the Local Controller.

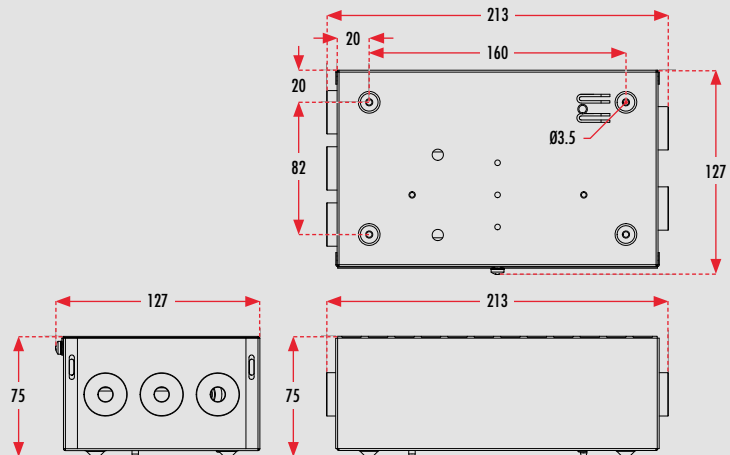


Product code	Voltage	Power	Mounting	Features
TST2800	220–240 V 50/60 Hz AC, DC	250 VA	Inside a distribution board	<ul style="list-style-type: none"> In normal mode, power is supplied from the light switch Analog dimming control output 1–10 V
TST2801	220–240 V 50/60 Hz AC, DC	250 VA	Surface mounted	<ul style="list-style-type: none"> In normal mode, power is supplied from the light switch IP20 enclosure Analog dimming control output 1–10 V
TST2802	220–240 V 50/60 Hz AC, DC	1,400 VA	Inside a distribution board	<ul style="list-style-type: none"> Power is always supplied from the central battery circuit Analog dimming control output 1–10 V
TST2803	220–240 V 50/60 Hz AC, DC	1,400 VA	Surface mounted	<ul style="list-style-type: none"> Power is always supplied from the central battery circuit IP20 enclosure Analog dimming control output 1–10 V
TST2803B	220–240 V 50/60 Hz AC, DC	1,400 VA	Surface mounted	<ul style="list-style-type: none"> In normal mode, power is supplied from the light switch IP20 enclosure Analog dimming control output 1–10 V
TST8501	220–240 V 50/60 Hz AC, DC	1,000 VA	Inside a distribution board	<ul style="list-style-type: none"> Power is always supplied from the central battery circuit Inverting function in AC operation The luminaires are lit when the switch control voltage is cut or when the central battery unit turns to emergency mode

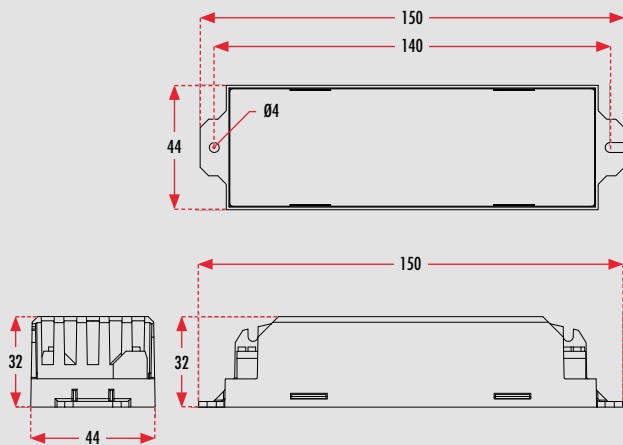
Switch Controller module dimensions | TST2800



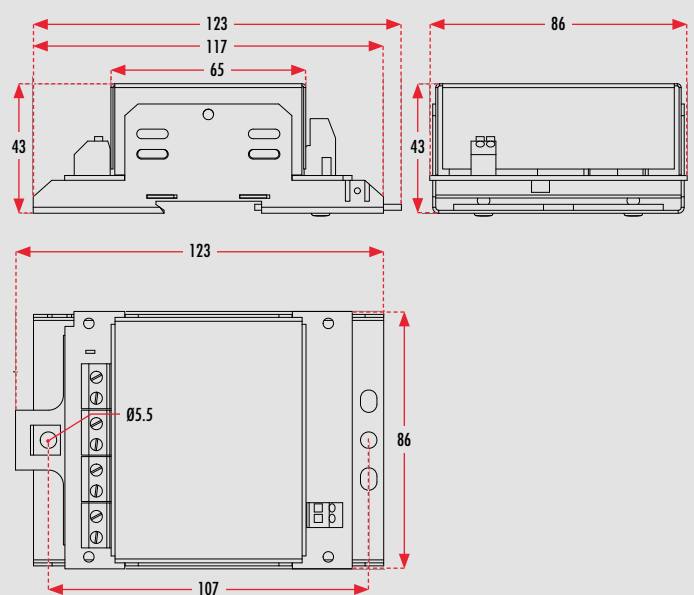
TST2801 | TST2803(B)



TST8501



TST2802



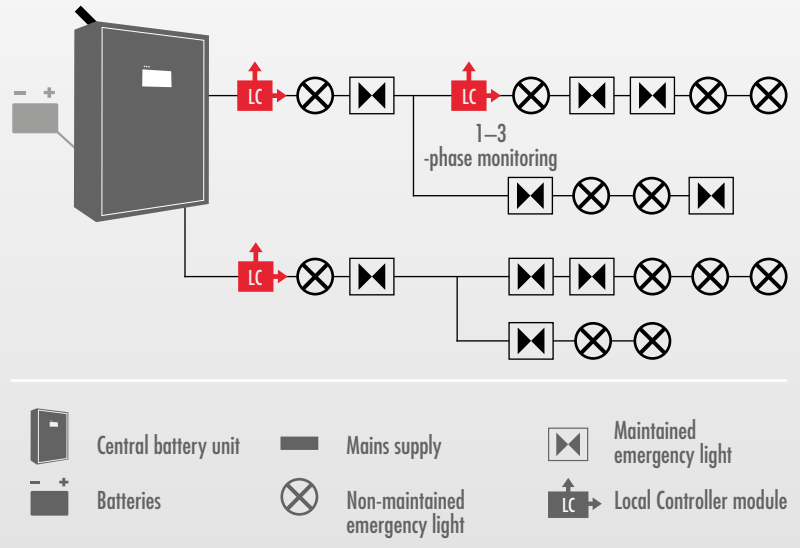
Local Controller module



For controlling emergency lights locally in a central battery system

The Local Controller module is used for monitoring voltage from local distribution boards and controlling the addressable emergency lights in a specific area.

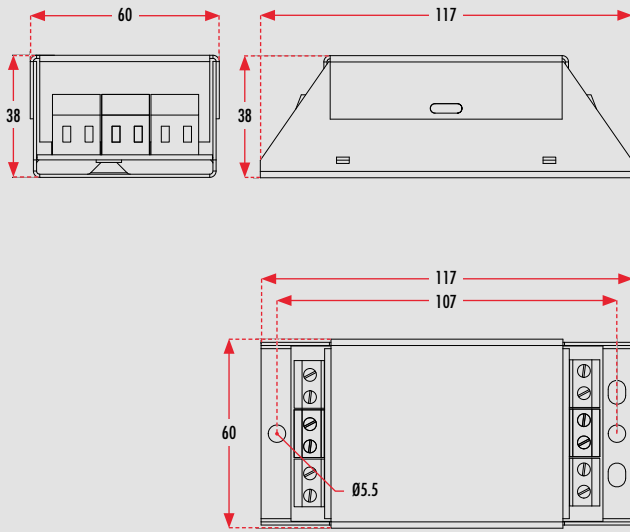
Local Controller enables switching on the emergency lights in normal mode (AC), if irregularities occur in the power supply of the normal lighting. Maintained and non-maintained emergency lights can be connected to the same output circuit. Luminaires have to be of 230 V addressable type.



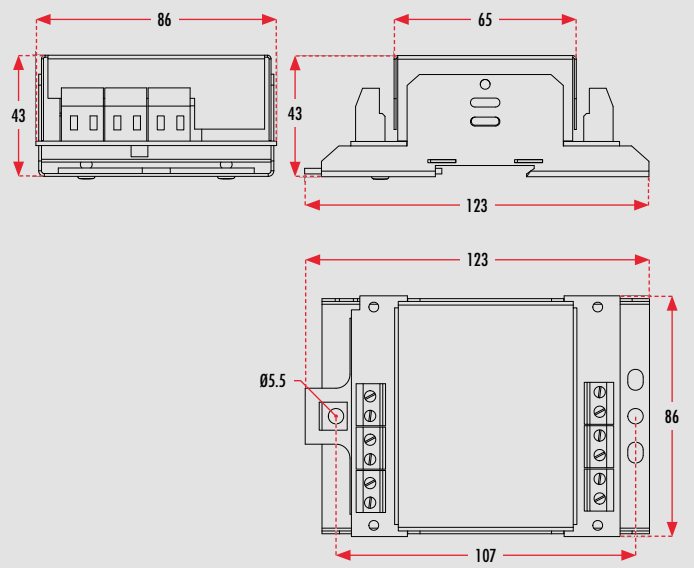
Product code	Voltage	Power	Mounting	Features
TS90685	220–240 V 50/60 Hz AC, DC	250 VA	Inside a distribution board	<ul style="list-style-type: none"> 1–3 phase monitoring Controlling emergency luminaires in normal mode (AC) through the supply cabling
TS90686	220–240 V 50/60 Hz AC, DC	250 VA	Surface mounted	<ul style="list-style-type: none"> IP20 enclosure 1–3 phase monitoring Controlling emergency luminaires in normal mode (AC) through the supply cabling
TS90695	220–240 V 50/60 Hz AC, DC	250 VA	Inside a distribution board	<ul style="list-style-type: none"> 1–3 phase monitoring / 230 V control input, controlling emergency lights in normal mode (AC) through the supply cabling Relay contact output from 1–3-phase monitoring (NC/NO) Adjustable delay (0–15 min) prior returning to normal mode
TS90696	220–240 V 50/60 Hz AC, DC	250 VA	Surface mounted	<ul style="list-style-type: none"> IP20 enclosure 1–3 phase monitoring / 230 V control input Relay contact output from 1–3-phase monitoring (NC/NO) Switch control input Adjustable delay (0–15 min) prior returning to normal mode Controlling emergency lights in normal mode (AC) through the supply cabling
TST6801	220–240 V 50/60 Hz AC, DC	1,400 VA	Inside a distribution board, DIN rail	<ul style="list-style-type: none"> 1–3 phase monitoring / 230 V control input Controlling emergency lights in normal mode (AC) through the supply cabling
TST6802	220–240 V 50/60 Hz AC, DC	1,400 VA	Surface mounted	<ul style="list-style-type: none"> IP20 enclosure 1–3 phase monitoring / 230 V control input Controlling emergency lights in normal mode (AC) through the supply cabling
TST6803	220–240 V, 50/60 Hz AC, DC	1,400 VA	Inside a distribution board, DIN rail	<ul style="list-style-type: none"> 1–3 phase monitoring / 230 V control input Relay contact output from 1–3-phase monitoring (NC/NO) Switch control input Adjustable delay (0–15 min) prior returning to normal mode Controlling emergency lights in normal mode (AC) through the supply cabling
TST6804	220–240 V 50/60 Hz AC, DC	1,400 VA	Surface mounted	<ul style="list-style-type: none"> IP20 enclosure 1–3 phase monitoring / 230 V control input Relay contact output from 1–3-phase monitoring (NC/NO) Switch control input Adjustable delay (0–15 min) prior returning to normal mode Controlling emergency lights in normal mode (AC) through the supply cabling
TST6805	220–240 V, 50/60 Hz AC, DC	1,400 VA	Inside a distribution board, DIN rail	<ul style="list-style-type: none"> IC compatible 1–3 phase monitoring / 230 V control input Relay contact output from 1–3-phase monitoring (NC/NO) Switch control input DIP switch adjustable delay for the emergency light operations, 1 minute spacing (0–15 min) Controlling emergency lights in normal mode (AC) through the supply cabling

Dimensions [mm]

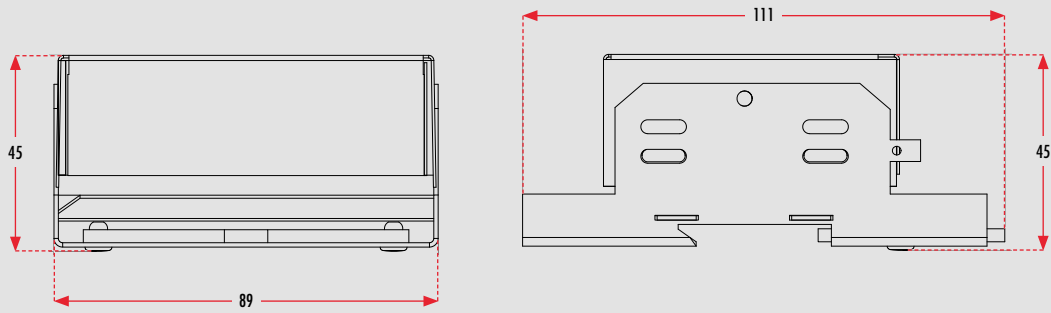
TS90685, TS90695 | Mounting inside a distribution board



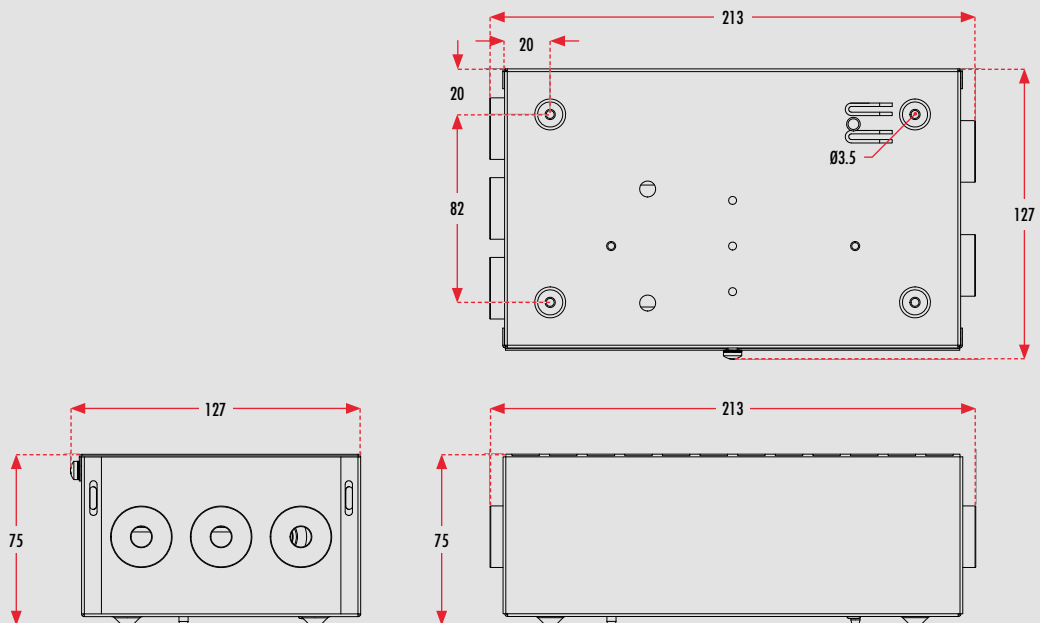
TST6801, TST6803 | Mounting inside a distribution board



TST6805



TS90686, TS90696, TST6802, TST6804 | Surface mounted



Separate address modules for luminaires

TS9825x and TS9826x address modules



TS98253



TS98253B



TS98263



TS98254



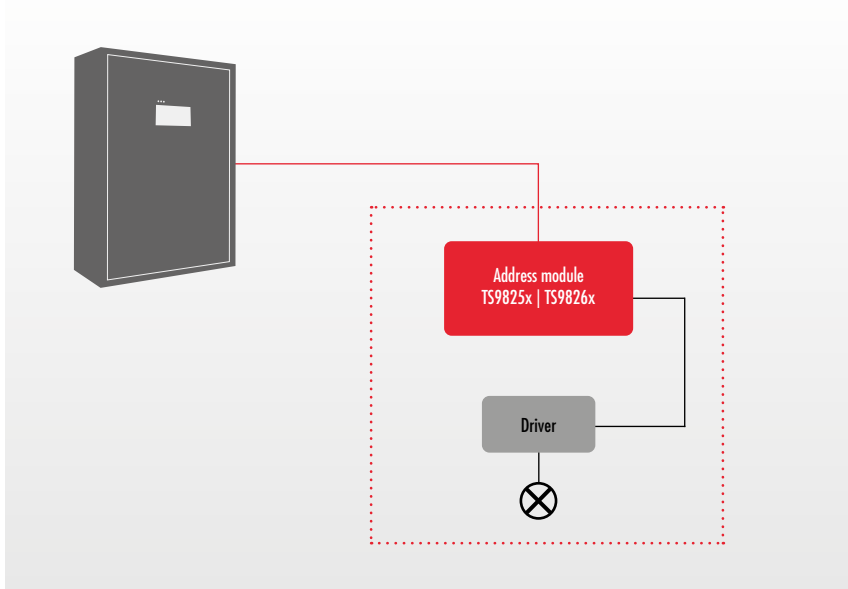
TS98263B



TS98255

A separate address module is needed when connecting other luminaires to addressable 230 V central battery units in addition to Teknoware luminaires. Data between the central battery unit and the luminaires equipped with address modules is transferred via circuit cabling. There's no need for separate data cabling.

The address module is connected to the circuit cable and the luminaire's connector.

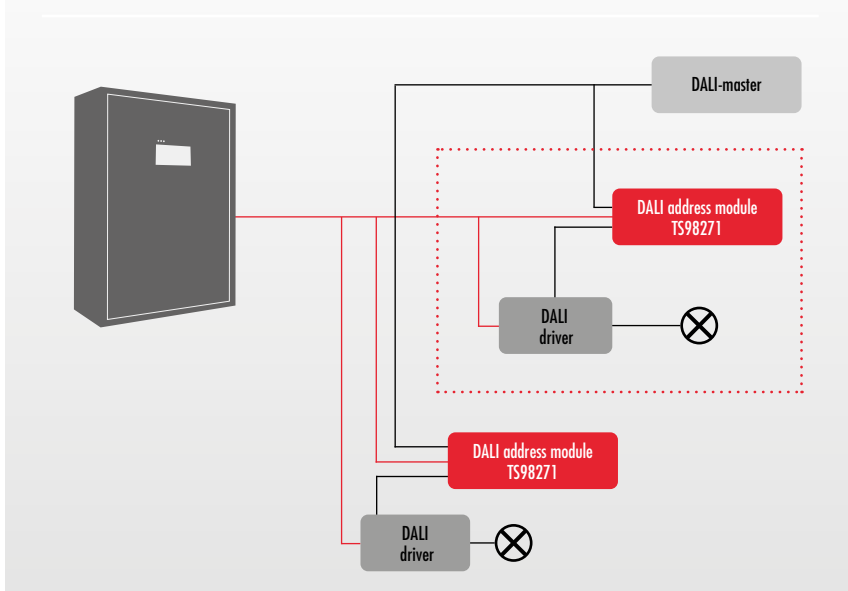


TS98271 address module



TS98271 is a DALI compatible address module for luminaires. It simulates the operation of the DALI-master in emergency mode. TS98271 DALI address module is connected to the circuit cabling, the DALI driver and the DALI-master.

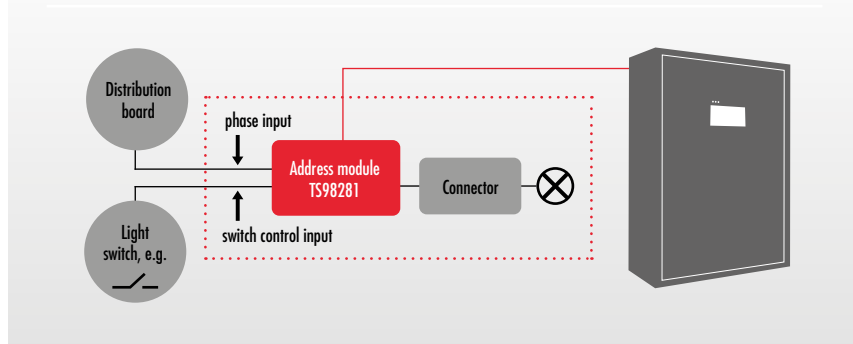
Brightness in emergency mode can be set to 10–100%.



TS98281 address module



TS98281 is an address module with switch control and phase control inputs. The principle of operation is the same as in the Local Controller module and the Switch Controller module. The address module is intended for one luminaire and one phase input.



Product code	Standby power	Max. load	Current limit for fault detection	Output voltage	Operation	Compatibility	Dimensions
TS98263	1 VA / 1 W	60 VA	10±5 mA	230 VDC	Maintained /non-maintained	<ul style="list-style-type: none"> Operation mode can be selected by a DIP switch Intelligent Controller Local Controller module 	98 x 41 x 21 mm
TS98263B	1 VA / 1 W	60 VA	5±2.5 mA	230 VDC	Maintained /non-maintained	<ul style="list-style-type: none"> Operation mode can be selected by a DIP switch Intelligent Controller Local Controller module 	98 x 41 x 21 mm
TS98253	1 VA / 1 W	100 VA	10±5 mA	230 VDC	Maintained /non-maintained	<ul style="list-style-type: none"> Operation mode can be selected by a DIP switch Intelligent Controller Local Controller module 	98 x 41 x 21 mm
TS98253B	1 VA / 1 W	100 VA	10±5 mA	230 VDC	Maintained /non-maintained	<ul style="list-style-type: none"> Operation mode can be selected by a DIP switch Intelligent Controller Local Controller module Slim model 	142 x 30 x 25 mm
TS98254	1 VA / 1 W	200 VA	10±5 mA	230 VDC	Maintained /non-maintained	<ul style="list-style-type: none"> Operation mode can be selected by a DIP switch Intelligent Controller Local Controller module 	150 x 44 x 32 mm
TS98271	2 VA / 2 W	N/A	N/A	N/A	N/A	<ul style="list-style-type: none"> Dimming for the emergency light operation DALI Intelligent Controller 	150 x 43 x 32 mm
TS98281	1.5 VA / 1.5 W	200 VA	10±5mA	220–240 V, 50/60 Hz AC, DC	Maintained /non-maintained	<ul style="list-style-type: none"> Operation mode can be selected by a DIP switch Phase control input Switch control input Intelligent Controller Local Controller module 	150 x 43 x 32 mm
TS98255	2 VA / 2 W	625 VA	400 mA	230 VDC	Maintained /non-maintained	<ul style="list-style-type: none"> Operation mode can be selected by a DIP switch Local Controller module 	150 x 44 x 32 mm

Please note that the compatibility of the DALI driver depends on the manufacturer and product and cannot always be guaranteed

Ease of use through remote monitoring solutions

Further information about the MyTeknoware cloud service on pages 10-11

A remote monitoring system allows the centralised monitoring of multiple central battery units. We offer a solution meeting your requirements when you want to bring your emergency lighting system to the next level, in small as well as large projects.

This and the following spread give you information about our remote monitoring systems. If you need help in the choice of system or with anything related to emergency lighting, we are ready to help you with our local partners. An emergency lighting expert answers your call or email.

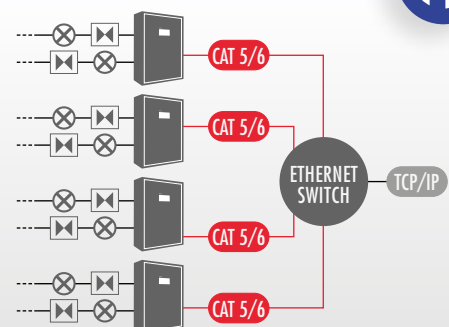
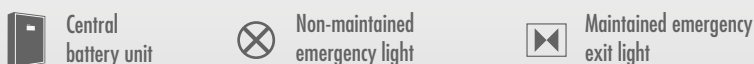


MyTeknoware cloud service allows the centralised monitoring of emergency lighting in your properties in one portal. Wherever, whenever. MyTeknoware allows safe, flexible and fast management. Read more about the MyTeknoware cloud service on pages 11-12.

BACnet interface

For connecting the central battery unit to a building management system

BACnet interface allows you to connect the central battery unit to the building management system. The BACnet interface provides information about the status of the system and the luminaires as BACnet objects. Luminaire and duration tests can also be initiated this way.



Web Central Monitoring interface (WebCM)



An online remote monitoring system for the monitoring of an individual central battery system

The WebCM interface allows you to manage a central battery system centrally online regardless of your location. The solution includes a Web module, which is fitted in the central battery unit. Each central battery unit has its unique IP address, and an Internet browser is used for connecting. The system does not require a separate software suite: it can be used on any terminal device with Internet connection.

The WebCM remote management interface shows the status of the central battery system and the luminaires connected to it as well as the test log. Luminaire and duration tests can also be initiated through the interface. WebCM is available for addressable 65C central battery units.

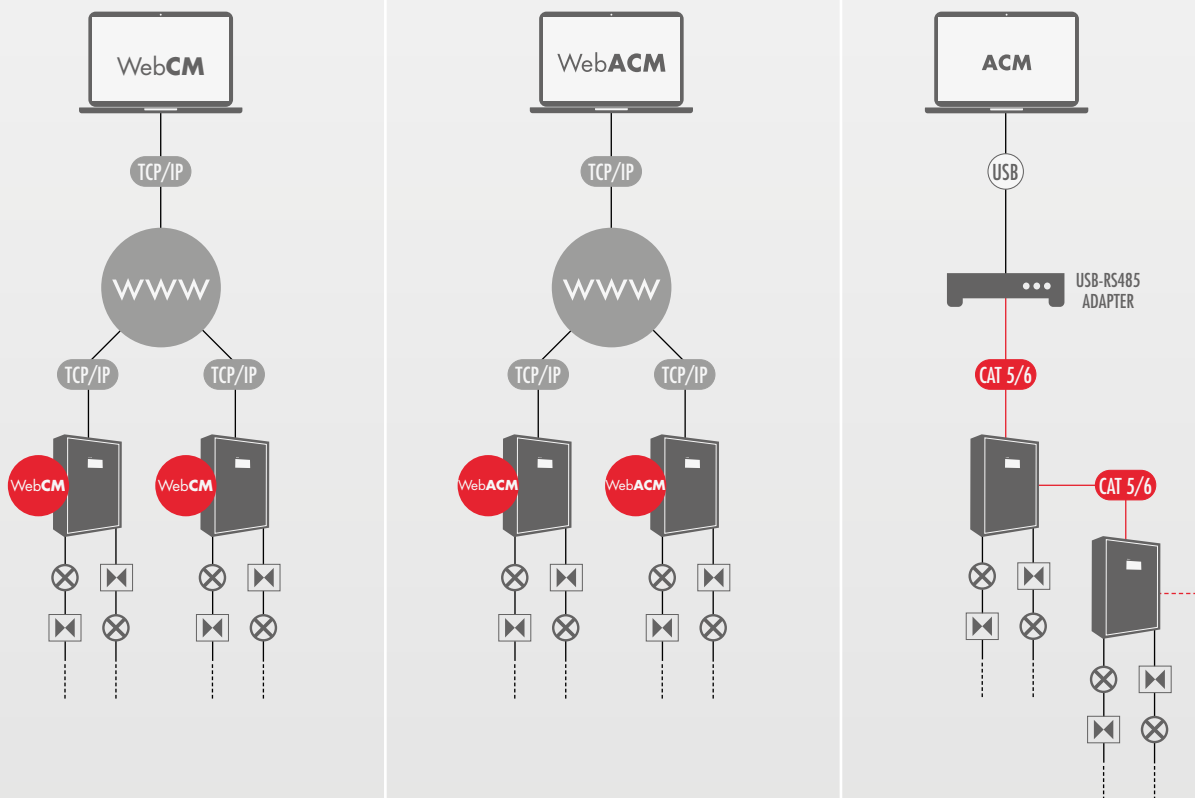
Advanced Central Monitoring & Web Advanced Central Monitoring software (ACM & WebACM)



Remote monitoring software for the property-specific monitoring of several central battery systems

Advanced Central Monitoring (ACM) and Web Advanced Central Monitoring (WebACM) are remote management suites for our addressable central battery systems. Both ACM and WebACM can be used for the simultaneous monitoring of up to 150 central battery systems. Both suites are intended for property-specific remote monitoring. They are similar in most ways, but ACM uses its own, separate network (RS485), while WebACM operates over the Ethernet.

ACM and WebACM allow the placement of luminaires and central battery units in the property's floor plans. The remote monitoring software shows the status of the central battery unit and the luminaires connected to it as well as the test log. Both suites require a Windows terminal device and Java support to operate. In case of deviations, both ACM and WebACM automatically send email to the addresses specified by the user. A BACnet can be connected to both suites for transferring the central system data to the building management system. One BACnet module can be used for the monitoring of 30 central battery units.





62

The Teknoware Steel is an excellent choice for anyone who wants an elegant and durable emergency exit light.



84

The Teknoware ESC 90 is a practical emergency exit light with replaceable pictograms.



100

The Teknoware Plus is visible from up to 60 metres and works even in demanding conditions.



110

You can find our versatile selection of emergency lights starting on page 112.

CENTRAL BATTERY SYSTEM LUMINAIRES.

Selection tables

Addressable 230 V centrally supplied luminaires	54
Non-addressable 230 V centrally supplied luminaires	57
Non-addressable 24–230 V centrally supplied luminaires	58
Addressable 24 V centrally supplied luminaires	60
Non-addressable 24 V centrally supplied luminaires	61

Luminaires

Emergency exit lights	62
Emergency lights for open areas	110
Emergency lights for escape routes	146
Emergency lights for points of emphasis	176

EMERGENCY EXIT LIGHTS.

Emergency exit lights

Steel	62
ESC 80	68
ESC 80X	76
ESC 81	78
ESC 90	84
Easy: Combo	88
Solid Exit	92
Solid Exit 2	96
Plus	100
ESC Cube	104
Robust Exit	106
Heavy Exit	108

EMERGENCY LIGHTS.

Emergency lights for open areas

Slimspot II: Zone Lowbay, Zone Midbay, Zone Highoutput	110
Zonespot II: Lowbay, Midbay, Highbay	116
Easy: Combo	124
Solid: Zone Lowbay, Zone Midbay, Zone Highbay	128
Trail: Zone Lowbay, Zone Midbay	134
Smooth: Zone	138
Stamina: Zone Midbay, Zone Highoutput	140
Robust 86	144

Emergency lights for escape routes

Slimspot II: Line Lowbay, Line Midbay	146
Linespot II: Lowbay, Midbay	150
Linespot	156
Easy: Line Lowbay	158
Solid: Line Lowbay, Line Midbay	162
Trail: Line Lowbay, Line Midbay	166
Smooth: Line	170
Stamina: Line Lowbay, Line Midbay	172

Emergency lights for points of emphasis

Slimspot II: Angle	176
Step	180
Find	182

Selection table

Addressable 230 V centrally supplied luminaires

Product family	Emergency exit light		Emergency lights for open areas		Emergency lights for escape routes		Emergency lights for points of emphasis	
	Product code	Page	Product code	Page	Product code	Page	Product code	Page
Steel	TWTE151WK TWTE251WK TWTE351WK TWTE451WK TWTE551WK TWTE651WK TWTE751WK TWTE851WK TWTE951WK	68						
ESC 80	TWT8051WK TWT8051WKT TWT8051WKR TWT8051WKRT	72						
ESC 80X	TWT8051WKX TWT8051WKXT	79						
ESC 81	TWT8151WK TWT8151WKT	81						
ESC 90	TWT9051WK TWT9051WKT TWT9051WKR TWT9051WKRT	87						
Easy: Combo	TWTB151WK	91	TWTB151WK	127				
Easy: Line Lowbay					TWTB251WK	159		
Solid / Solid Exit	TWT3051WK TWT3051WKE	95	TWT3251WK TWT3751WK TWT3651WK TWT3756WK	132 133 134	TWT4251WK TWT4351WK TWT4351WKH	163 164		
Solid Exit 2	TWT3151WK	99						
Plus	TWTF151WK	103						
ESC Cube	TWK6351WK	107						
Robust Exit	TWT9651WK	109						
Robust 86/95			TWT8651WK	147				
Heavy Exit	TWTA951WK	111						
Slimspot II:			TWT6351WK TWTA251WK TWT1251WK TWT1251WKP TWTA551WK TWT1351WK TWT1351WKP	114 115 116	TWT6151WK TWTA151WK TWT1151WK TWT1151WKP TWTA451WK	150 151	TWTD151WK	177
Zonespot II			TWT9251WK TWT9251WKT TWT0451WK TWT9351WK TWT9351WKT TWT9356WK TWT9356WKT TWT8456WK TWT8456WKT	120 122 124				
Linespot II					TWT9951WK TWT9951WKT TWT1451WK TWT8851WK TWT8851WKT TWT8856WK TWT8856WKT	154 155		

Selection table

Addressable 230 V centrally supplied luminaires

Product family	Emergency exit light		Emergency lights for open areas		Emergency lights for escape routes		Emergency lights for points of emphasis	
	Product code	Page	Product code	Page	Product code	Page	Product code	Page
Trail			TWTC251WK TWTC551WK	137 138	TWTC151WK TWTC451WK	167 168		
Smooth			TWTA851WK	141	TWTC851WK	171		
Stamina			TWT5251WK TWT5751WKH	143 144	TWT7451WK TWT7951WK	173 174		
Step							TWT1651WK	181
Find							TWTA351WK	183

Recommended mounting height

Addressable 230 V centrally supplied luminaires **for open areas**

Product family	Product code	Recommended mounting height															
		2.5	3	4	5	6	7	8	9	10	11	12	14	16	18	20	30
Smooth: Zone	TWTA851WK																
Slimspot II: Zone Lowbay	TWT6351WK																
	TWTA251WK																
	TWT9251WK																
Zonespot II: Lowbay	TWT9251WKT																
	TWT0451WK																
Trail: Zone Lowbay	TWTC251WK																
Easy: Combo	TWTB151WK																
Solid: Zone Lowbay	TWT3251WK																
	TWT1251WK																
Slimspot II: Zone Midbay	TWT1251WKP																
	TWTA551WK																
	TWT1351WK																
Slimspot II: Zone Highoutput	TWT1351WKP																
	TWT9351WK																
Zonespot II: Midbay	TWT9351WKT																
	TWTC551WK																
Trail: Zone Midbay	TWT9356WK																
	TWT9356WKT																
Stamina: Zone Midbay	TWT5251WK																
Solid: Zone Midbay	TWT3651WK																
Stamina: Zone Highoutput	TWT5751WKH																
Solid: Zone Midbay	TWT3751WK																
Robust 86	TWT8651WK																
Solid: Zone Highbay	TWT3756WK																
Zonespot II: Highbay	TWT8456WK																
	TWT8456WKT																

Recommended mounting height

Addressable 230 V centrally supplied luminaires for escape routes

Product family	Product code	Recommended mounting height														
		2.5	3	4	5	6	7	8	9	10	11	12	13	14	15	16
Smooth: Line	TWTC851WK															
Stamina: Line Lowbay	TWT7451WK															
Easy: Line Lowbay	TWTB251WK															
Solid: Line Lowbay	TWT4251WK															
Slimspot II: Line Lowbay	TWT6151WK															
	TWTA151WK															
Linespot II: Lowbay	TWT9951WK															
	TWT9951WKT															
	TWT1451WK															
Trail: Line Lowbay	TWTC151WK															
Slimspot II: Line Midbay	TWT1151WK															
	TWT1151WKP															
	TWTA451WK															
Linespot II: Midbay	TWT8851WK															
	TWT8851WKT															
Trail: Line Midbay	TWTC451WK															
Stamina: Line Midbay	TWT7951WK															
Solid: Line Midbay	TWT4351WK															
Solid: Line Midbay	TWT4351WKH															
	TWT8856WK															
Linespot II: Midbay	TWT8856WKT															

Addressable 230 V centrally supplied luminaires for points of emphasis

Product family	Product code	Recommended mounting height			
		0.3	2.5	3	4
Step	TWT1651WK				
Slimspot II: Angle	TWTD151WK				

Selection table

Non-addressable 230 V centrally supplied luminaires

Product family	Emergency exit light		Emergency lights for open areas		Emergency lights for escape routes		Emergency lights for points of emphasis	
	Product code	Page	Product code	Page	Product code	Page	Product code	Page
ESC 80	TWT8051W TWT8051WT	72						
ESC 81	TWT8151W TWT8151WT	81						
ESC 90	TWT9051W TWT9051WT	87						
Robust Exit	TWT9651W	89						

Non-addressable 24–230 V centrally supplied luminaires

Product family	Emergency exit light		Emergency lights for open areas		Emergency lights for escape routes		Emergency lights for points of emphasis	
	Product code	Page	Product code	Page	Product code	Page	Product code	Page
ESC 80	TWT8071W TWT8071WT	72						
ESC 81	TWT8171W TWT8171WT	81						
ESC 90	TWT9071W TWT9071WT	87						
Solid / Solid Exit	TWT3071W TWT3071WE	95	TWT3271W TWT3671W	132 133	TWT4271W TWT4371W	163 164		
Solid Exit 2	TWT3171W	99						
Plus	TWTF171W	103						
ESC Cube	TWK6371W	107						
Slimspot II:			TWT6371W TWTA271W	114	TWT6171W TWTA171W	150	TWTD171W	177
			TWT1271W TWTA571W	115	TWT1171W TWTA471W	151		
Zonespot II			TWT0471W TWT9271W TWT9271WT	120				
			TWT9271W TWT9271WT	120				
			TWT9371W TWT9371WT	122				
Easy: Combo	TWTB171W	91	TWTB171W	127				
Trail			TWTC271W TWTC571W	137 138	TWTC171W TWTC471W	167 168		
Stamina			TWT5271W	143	TWT7471W TWT7971W	173 174		
Linespot II					TWT9971W TWT9971WT TWT1471W	154		
					TWT8871W TWT8871WT	155		
Step							TWT1671W	181

Recommended mounting height

Non-addressable 24–230 V centrally supplied emergency lights **for open areas**

Product family	Product code	Recommended mounting height																
		2.5	3	4	5	6	7	8	9	10	11	12	13	14	15	16	17	18
Slimspot II: Zone Lowbay	TWT6371W																	
	TWTA271W																	
Zonespot II: Lowbay	TWT9271W																	
	TWT9271WT																	
	TWT0471W																	
Trail: Zone Lowbay	TWTC271W																	
Easy: Combo	TWTB171W																	
Solid: Zone Lowbay	TWT3271W																	
	TWT0471W																	
	TWT9371W																	
	TWT9371WT																	
Slimspot II: Zone Midbay	TWT1271W																	
	TWTA571W																	
	TWTC571W																	
Trail: Zone Midbay	TWTC571W																	
Stamina: Zone Midbay	TWT5271W																	
Solid: Zone Midbay	TWT3671W																	

Non-addressable 24–230 V centrally supplied luminaires **for escape routes**

Product family	Product code	Recommended mounting height																
		2.5	3	4	5	6	7	8	9	10	11	12						
Solid: Line Lowbay	TWT4271W																	
Stamina: Line Lowbay	TWT7471W																	
Slimspot II: Line Lowbay	TWT6171W																	
	TWTA171W																	
	TWT9971W																	
Linespot II: Lowbay	TWT9971WT																	
	TWT1471W																	
	TWTC171W																	
Slimspot II: Line Midbay	TWT1171W																	
	TWTA471W																	
	TWT8871W																	
Linespot II: Midbay	TWT8871WT																	
	TWTC471W																	
Trail: Line Midbay	TWTC471W																	
Stamina: Line Midbay	TWT7971W																	
Solid: Line Midbay	TWT4371W																	

Non-addressable 24–230 V centrally supplied luminaires **for points of emphasis**

Product family	Product code	Recommended mounting height			
		0.3	2.5	3	4
Step	TWT1671W				
Slimspot II: Angle	TWTD171W				

Selection table

Addressable 24 V centrally supplied luminaires

Product family	Emergency exit light		Emergency lights for open areas		Emergency lights for escape routes		Emergency lights for points of emphasis	
	Product code	Page	Product code	Page	Product code	Page	Product code	Page
ESC 80	TWT8041WK TWT8041WKT TWT8041WKR TWT8041WKRT	72						
ESC 81	TWT8141WK TWT8141WKT	82						
ESC 90	TWT9041WK TWT9041WKT TWT9041WKR TWT9041WKRT	87						
Solid / Solid Exit	TWT3041WK	95	TWT3241WK TWT3641WK	132 133	TWT4241WK TWT4341WK	163 164		
Plus	TWTF141WK	103						
Slimspot II:			TWT6341WK TWT1241WK	114	TWT6141WK TWT14141WK	150	TWTD141WK	177
			TWTA241WK TWTA541WK	115	TWT1141WK TWTA441WK	151		
Zonespot II			TWT9241WK TWT9241WKT TWT0441WK	120				
			TWT9341WK TWT9341WKT	122				
Smooth			TWTA841WK	141	TWTC841WK	171		
Linespot II					TWT9941WK TWT9941WKT TWT1441WK	154		
					TWT8841WK TWT8841WKT	155		
Step							TWT1641WK	181

Recommended mounting height

Addressable 24 V centrally supplied emergency lights for open areas

Product family	Product code	Recommended mounting height																
		2.5	3	4	5	6	7	8	9	10	11	12	13	14	15	16	17	18
Smooth: Zone	TWTA841WK																	
Slimspot II: Zone Lowbay	TWT6341WK																	
	TWTA241WK																	
Zonespot II: Lowbay	TWT9241WK																	
	TWT9241WKT																	
	TWT0441WK																	
Solid: Zone Lowbay	TWT3241WK																	
Zonespot II: Midbay	TWT9341WK																	
	TWT9341WKT																	
Slimspot II: Zone Midbay	TWT1241WK																	
	TWTA541WK																	
Solid: Zone Midbay	TWT3641WK																	

Addressable 24 V centrally supplied emergency lights for escape routes

Product family	Product code	Recommended mounting height																
		2.5	3	4	5	6	7	8	9	10	11	12						
Solid: Line Lowbay	TWT4241WK																	
Smooth: Line	TWTC841WK																	
Slimspot II: Line Lowbay	TWT6141WK																	
	TWTA141WK																	
Linespot II: Lowbay	TWT9941WK																	
	TWT9941WKT																	
	TWT1441WK																	
Slimspot II: Line Midbay	TWT1141WK																	
	TWTA441WK																	
Linespot II: Midbay	TWT8841WK																	
	TWT8841WKT																	
Solid: Line Midbay	TWT4341WK																	

Addressable 24 V centrally supplied emergency lights for points of emphasis

Product family	Product code	Recommended mounting height			
		0.3	2.5	3	4
Step	TWT1641WK				
Slimspot II: Angle	TWTD141WK				

Selection table

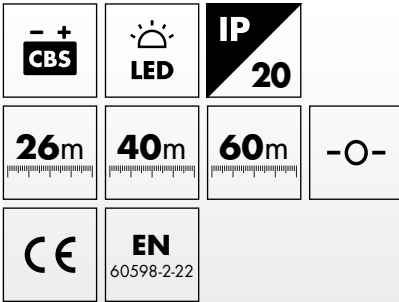
Non-addressable 24 V centrally supplied luminaires

Product family	Emergency exit light		Emergency lights for open areas		Emergency lights for escape routes		Emergency lights for points of emphasis	
	Product code	Page	Product code	Page	Product code	Page	Product code	Page
ESC 80	TWT8041W TWT8041WT	72						
ESC 81	TWT8141W TWT8141WT	82						
ESC 90	TWT9041W TWT9041WT	87						



Steel

Centrally supplied emergency exit light



An elegant emergency exit light with a metal frame for high-class premises

The Teknoware Steel is an airy and stylish emergency exit light. The light plate in the elegant luminaire has a narrow, glossy metal frame, which makes it suitable for high-class premises. The luminaire can be used as one- or two-sided and, depending on the model, it is suitable for ceiling, wall or suspension mounting. Thanks to its different mounting options, viewing distance of up to 60 metres and polished look, the Steel is a versatile and viable option for applications where the emergency exit light needs to be both elegant and durable.



Viewing distance

26, 40 or 60 metres, depending on the model.

Several mounting options

Separate models for ceiling, wall and suspension mounting.

Elegant

Airy and elegant emergency exit light with a stainless steel frame.

Versatile

Can be used as one or two-sided.



HIGHLIGHTS



FOR REFINED SPACES



EXTENSIVE PRODUCT RANGE



METAL BODY

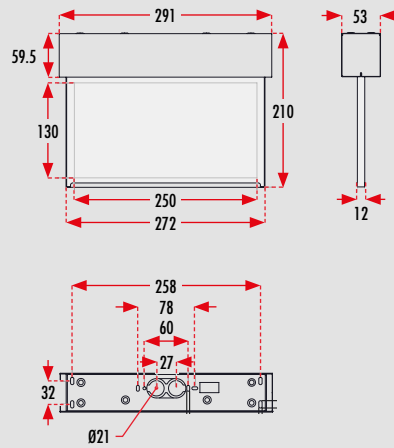
max.

60m

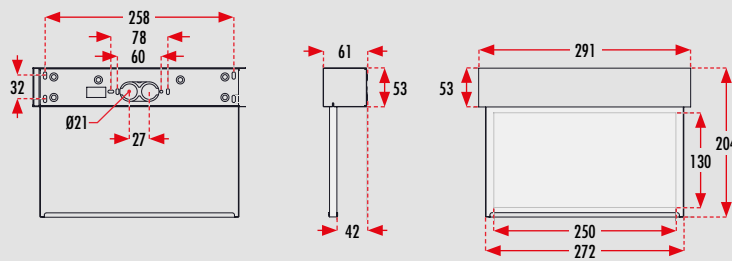
VIEWING DISTANCE

Dimensions [mm]

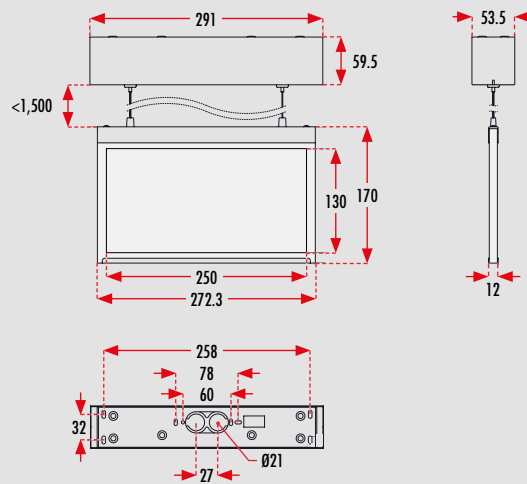
Steel | 26 m, ceiling mounting



Steel | 26 m, wall mounting



Steel | 26 m, suspension mounting with wire*



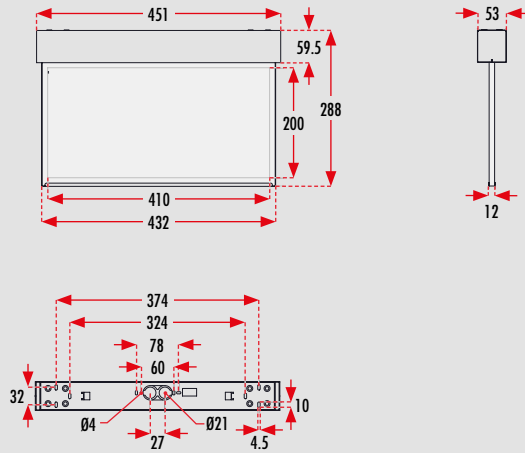
* The maximum wire length is 1,500 mm, and it can be shortened to a desired length.

Product
information
on page 66

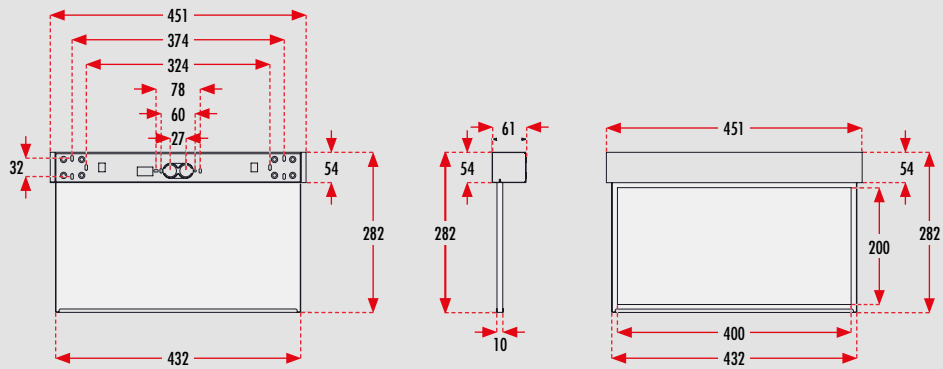
Steel

Dimensions [mm]

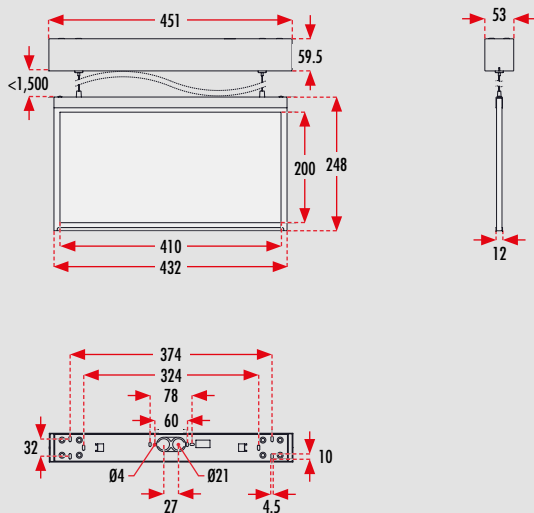
Steel | 40 m, ceiling mounting



Steel | 40 m, wall mounting



Steel | 40 m, suspension mounting with wire*

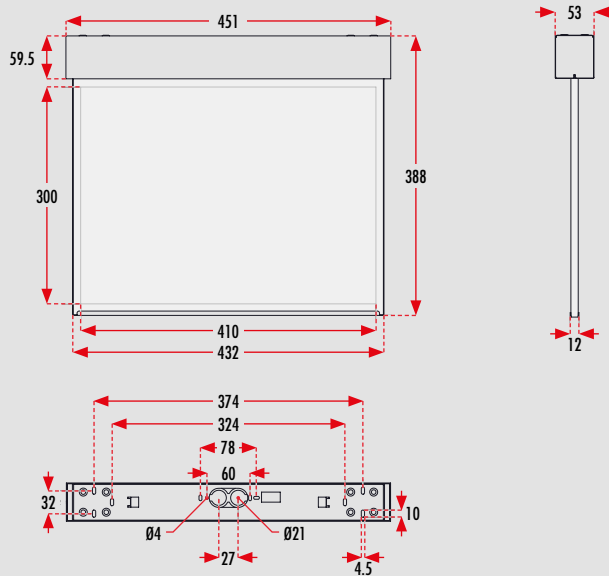


* The maximum wire length is 1,500 mm, and it can be shortened to a desired length.

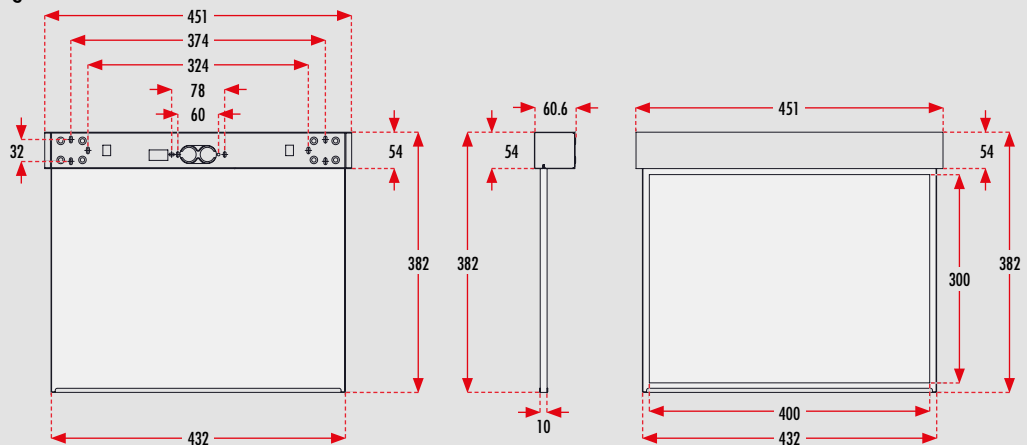
Steel

Dimensions [mm]

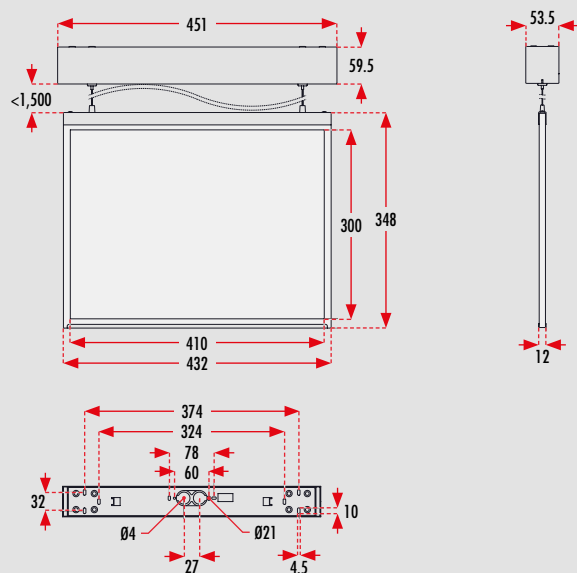
Steel | 60 m, ceiling mounting



Steel | 60 m, wall mounting



Steel | 60 m, suspension mounting with wire*



* The maximum wire length is 1,500 mm, and it can be shortened to a desired length.

Steel

Addressable 230 V centrally supplied emergency exit lights with a viewing distance of 26 m

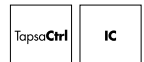


Viewing distance	Mounting	Product code	Nominal supply voltage	Max. input power	Operating temperature	Electrical installation	Protection class	Weight
26 m	Ceiling	TWTE151WK	220–240 V 50/60 Hz AC, DC	9.1 VA / 5.1 W	–30...+50°C	3 x 2.5 mm ²	1	1.4 kg
26 m	Wall	TWTE251WK	220–240 V 50/60 Hz AC, DC	9.1 VA / 5.1 W	–30...+50°C	3 x 2.5 mm ²	1	1.4 kg
26 m	Suspension	TWTE351WK	220–240 V 50/60 Hz AC, DC	9.1 VA / 5.1 W	–30...+50°C	3 x 2.5 mm ²	1	1.4 kg

Separately ordered pictograms, viewing distance 26 m

Product code	Pictogram	Product description	Viewing distance
PBVEX262E		down arrow, two-sided	26 m
PBVEX261E		side arrow, two-sided	26 m
PBVEX265E		up arrow, two-sided	26 m
PBVEX262E3		down arrow, one-sided	26 m
PBVEX261E2		left arrow, one-sided	26 m
PBVEX261E1		right arrow, one-sided	26 m
PBVEX265E3		up arrow, one-sided	26 m

Addressable 230 V centrally supplied emergency exit lights with a viewing distance of 40 m



Viewing distance	Mounting	Product code	Nominal supply voltage	Max. input power	Operating temperature	Electrical installation	Protection class	Weight
40 m	Ceiling	TWTE451WK	220–240 V 50/60 Hz AC, DC	9.1 VA / 5.1 W	–30...+50°C	3 x 2.5 mm ²	1	2.8 kg
40 m	Wall	TWTE851WK	220–240 V 50/60 Hz AC, DC	9.1 VA / 5.1 W	–30...+50°C	3 x 2.5 mm ²	1	2.8 kg
40 m	Suspension	TWTE551WK	220–240 V 50/60 Hz AC, DC	9.1 VA / 5.1 W	–30...+50°C	3 x 2.5 mm ²	1	2.8 kg

Separately ordered pictograms, viewing distance 40 m

Product code	Pictogram	Product description	Viewing distance
PBVEX402E		down arrow, two-sided	40 m
PBVEX401E		side arrow, two-sided	40 m
PBVEX405E		up arrow, two-sided	40 m
PBVEX402E3		down arrow, one-sided	40 m
PBVEX401E2		left arrow, one-sided	40 m
PBVEX401E1		right arrow, one-sided	40 m
PBVEX405E3		up arrow, one-sided	40 m

Steel

Addressable 230 V centrally supplied emergency exit lights with a viewing distance of 60 m



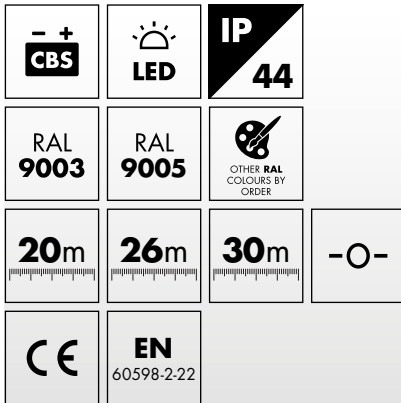
Viewing distance	Mounting	Product code	Nominal supply voltage	Max. input power	Operating temperature	Electrical installation	Protection class	Weight
60 m	Ceiling	TWTE651WK	220-240 V 50/60 Hz AC, DC	9.1 VA / 5.1 W	-30...+50°C	3 x 2.5 mm ²	1	3.4 kg
60 m	Wall	TWTE951WK	220-240 V 50/60 Hz AC, DC	9.1 VA / 5.1 W	-30...+50°C	3 x 2.5 mm ²	1	3.4 kg
60 m	Suspension	TWTE751WK	220-240 V 50/60 Hz AC, DC	9.1 VA / 5.1 W	-30...+50°C	3 x 2.5 mm ²	1	3.4 kg

Separately ordered pictograms, viewing distance 60 m

Product code	Pictogram	Product description	Viewing distance
PBVEX602E		down arrow, two-sided	60 m
PBVEX601E		side arrow, two-sided	60 m
PBVEX605E		up arrow, two-sided	60 m
PBVEX602E3		down arrow, one-sided	60 m
PBVEX601E2		left arrow, one-sided	60 m
PBVEX601E1		right arrow, one-sided	60 m
PBVEX605E3		up arrow, one-sided	60 m

ESC 80

Centrally supplied emergency exit light



Stylish emergency exit light with a light plate

The Teknoware ESC 80 is an emergency exit light that is an excellent choice for more refined spaces and, thanks to its IP44 enclosure class, it is also suitable for wet spaces.

The emergency exit light has a light plate, and it is available in three sizes, with viewing distances of 20, 26 or 30 metres. ESC 80 can be used as one or two-sided. ESC 80 is suitable for ceiling- and wall mounting as standard.

Mounting is quick and easy because the power supply is connected to a separate mounting piece that is delivered with the product. The ESC 80 can also be recess, suspension or flag mounted with easy-to-use accessories.

The standard colours are white (RAL 9003) and black (RAL 9005). Other RAL colours are available upon special order.



20 m



30 m



26 m

Viewing distance

20, 26 or 30 metres, depending on the model.

Versatile

The standard frame can be used in different mounting methods.

Splash-resistant

IP 44.

Quick and easy mounting

Ceiling or wall mounting with the separate mounting piece that is supplied with the product.

Available as a dimmable model

Ideal for cinemas, for example.



HIGHLIGHTS



FOR REFINED SPACES



EXTENSIVE PRODUCT RANGE

max.

30m

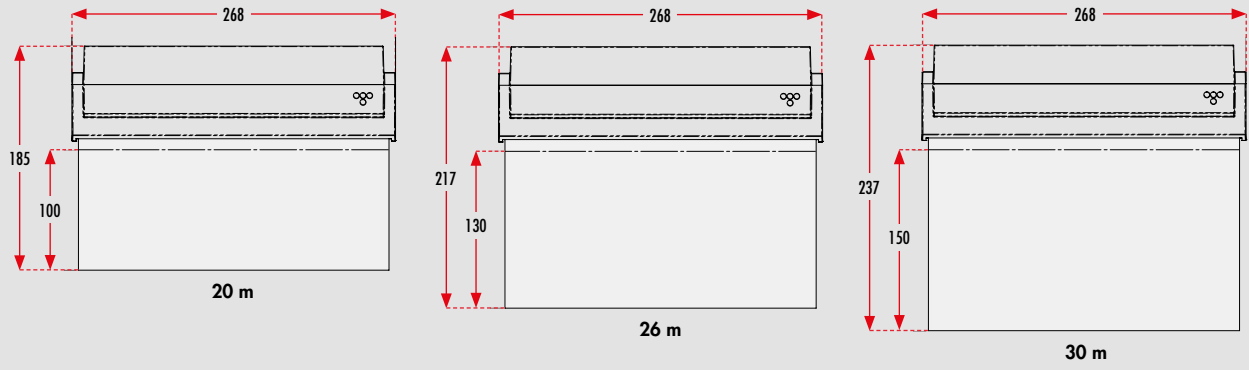
VIEWING DISTANCE



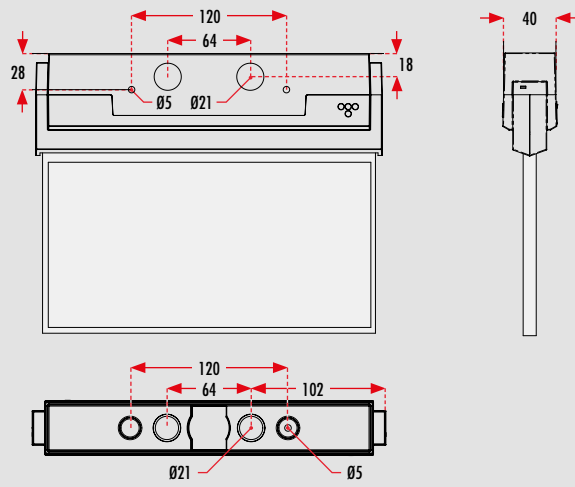
SPLASH-RESISTANT

Dimensions [mm]

ESC 80 | Luminaires



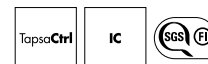
ESC 80 | Enclosure dimensions



Product
information
on page 70

ESC 80

Addressable 230 V centrally supplied emergency exit lights



Colour	Product code	Nominal supply voltage	Max. input power	Operating temperature	Electrical installation	Protection class	Weight
□	TWT8051WK **	220–240 V 50/60 Hz AC, DC	6.6 VA / 4.2 W	–30...+50°C	2/3 x 2.5 mm ²	2	0.69 kg
■	TWT8051WKT	220–240 V 50/60 Hz AC, DC	6.6 VA / 4.2 W	–30...+50°C	2/3 x 2.5 mm ²	2	0.69 kg
□	TWT8051WKR */**	220–240 V 50/60 Hz AC, DC	6.6 VA / 4.2 W	–30...+50°C	2/3 x 2.5 mm ²	2	0.69 kg
■	TWT8051WKRT *	220–240 V 50/60 Hz AC, DC	6.6 VA / 4.2 W	–30...+50°C	2/3 x 2.5 mm ²	2	0.69 kg

* Dimmable model that is ideal, for example, for cinemas. | ** SGS FI certified

Non-addressable 230 V centrally supplied emergency exit lights

Colour	Product code	Nominal supply voltage	Max. input power	Operating temperature	Electrical installation	Protection class	Weight
□	TWT8051W	220–240 V 50/60 Hz AC, DC	3.9 VA / 2.9 W	–30...+50°C	2/3 x 2.5 mm ²	2	0.69 kg
■	TWT8051WT	220–240 V 50/60 Hz AC, DC	3.9 VA / 2.9 W	–30...+50°C	2/3 x 2.5 mm ²	2	0.69 kg

Non-addressable 24–230 V centrally supplied emergency exit lights

Colour	Product code	Nominal supply voltage	Max. input power	Operating temperature	Electrical installation	Protection class	Weight
□	TWT8071W	24–230 V 50/60 Hz AC, DC	24 V = 2 VA / 1.5 W 230 V = 5.5 VA / 2 W	–30...+50°C	24 V = 2 x 2.5 mm ² 230 V = 2/3 x 2.5 mm ²	3 2	0.69 kg
■	TWT8071WT	24–230 V 50/60 Hz AC, DC	24 V = 2 VA / 1.5 W 230 V = 5.5 VA / 2 W	–30...+50°C	24 V = 2 x 2.5 mm ² 230 V = 2/3 x 2.5 mm ²	3 2	0.69 kg

Addressable 24 V centrally supplied emergency exit lights



Colour	Product code	Nominal supply voltage	Max. input power	Operating temperature	Electrical installation	Protection class	Weight
□	TWT8041WK	24 V 50/60 Hz AC, DC	2.3 VA / 2.3 W	–30...+50°C	2/3 x 2.5 mm ²	3	0.69 kg
■	TWT8041WKT	24 V 50/60 Hz AC, DC	2.3 VA / 2.3 W	–30...+50°C	2/3 x 2.5 mm ²	3	0.69 kg
□	TWT8041WK *	24 V 50/60 Hz AC, DC	2.3 VA / 2.3 W	–30...+50°C	2/3 x 2.5 mm ²	3	0.69 kg
■	TWT8041WKRT *	24 V 50/60 Hz AC, DC	2.3 VA / 2.3 W	–30...+50°C	2/3 x 2.5 mm ²	3	0.69 kg

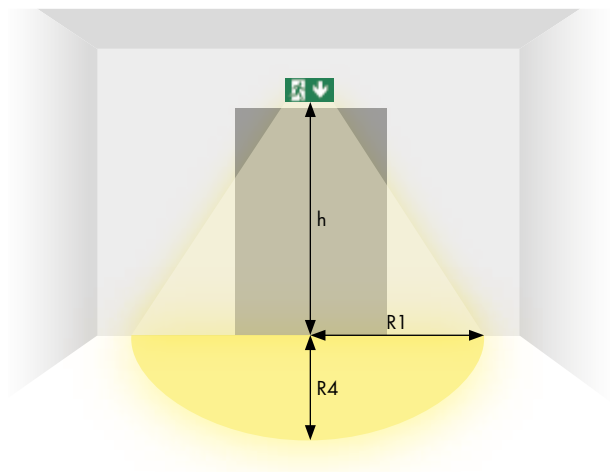
* Dimmable model that is ideal, for example, for cinemas.

Non-addressable 24 V centrally supplied emergency exit lights

Colour	Product code	Nominal supply voltage	Max. input power	Operating temperature	Electrical installation	Protection class	Weight
□	TWT8041W	24 V 50/60 Hz AC, DC	2 VA / 2.5 W	–30...+50°C	2/3 x 2.5 mm ²	3	0.69 kg
■	TWT8041WT	24 V 50/60 Hz AC, DC	2 VA / 2.5 W	–30...+50°C	2/3 x 2.5 mm ²	3	0.69 kg

ESC 80

Light distribution | Downlight chart for exit lights



- 1 and 0.5 lux table below the emergency exit light.
- Level of measurement 0.02 m, measurement result with battery operation.

R1 distance from wall, X axis

R4 distance from wall, Y axis

TWT8051W(T), TWT8051WK(T), TWT8171W(T), TWT8051WK(T), TWT8041W(T), TWT8171W(T)

Mounting height (m)	Below the light (lx)	R1 (m)	R4 (m)	R1 (m)	R4 (m)
		1 lx	1 lx	0.5 lx	0.5 lx
2	1.1	0.5	1	1.5	2
2.5	0.7	-	-	1.5	2








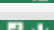







Individually packed addressable 230 V centrally supplied emergency exit lights


















Colour	Product code	Luminaire	Pictogram
<input type="checkbox"/>	Y8051WK103	TWT8051WK	20 m, two-sided
<input type="checkbox"/>	Y8051WK108	TWT8051WK	20 m, one-sided
<input type="checkbox"/>	Y8051WK107	TWT8051WK	20 m, one-sided
<input type="checkbox"/>	Y8051WK105	TWT8051WK	20 m, two-sided
<input type="checkbox"/>	Y8051WK109	TWT8051WK	20 m, one-sided
<input type="checkbox"/>	Y8051WK133	TWT8051WK	26 m, two-sided
<input type="checkbox"/>	Y8051WK138	TWT8051WK	26 m, one-sided
<input type="checkbox"/>	Y8051WK137	TWT8051WK	26 m, one-sided
<input type="checkbox"/>	Y8051WK135	TWT8051WK	26 m, two-sided
<input type="checkbox"/>	Y8051WK139	TWT8051WK	26 m, one-sided
<input type="checkbox"/>	Y8051WK143	TWT8051WK	30 m, two-sided
<input type="checkbox"/>	Y8051WK148	TWT8051WK	30 m, one-sided
<input type="checkbox"/>	Y8051WK147	TWT8051WK	30 m, one-sided
<input type="checkbox"/>	Y8051WK145	TWT8051WK	30 m, two-sided
<input type="checkbox"/>	Y8051WK149	TWT8051WK	30 m, one-sided

ESC 80

Individually packed non-addressable 230 V centrally supplied emergency exit lights







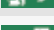








Colour	Product code	Luminaire	Pictogram
<input type="checkbox"/>	Y8051W103	TWT8051W	20 m, two-sided 
<input type="checkbox"/>	Y8051W108	TWT8051W	20 m, one-sided 
<input type="checkbox"/>	Y8051W107	TWT8051W	20 m, one-sided 
<input type="checkbox"/>	Y8051W105	TWT8051W	20 m, two-sided 
<input type="checkbox"/>	Y8051W109	TWT8051W	20 m, one-sided 
<input type="checkbox"/>	Y8051W133	TWT8051W	26 m, two-sided 
<input type="checkbox"/>	Y8051W138	TWT8051W	26 m, one-sided 
<input type="checkbox"/>	Y8051W137	TWT8051W	26 m, one-sided 
<input type="checkbox"/>	Y8051W135	TWT8051W	26 m, two-sided 
<input type="checkbox"/>	Y8051W139	TWT8051W	26 m, one-sided 
<input type="checkbox"/>	Y8051W143	TWT8051W	30 m, two-sided 
<input type="checkbox"/>	Y8051W148	TWT8051W	30 m, one-sided 
<input type="checkbox"/>	Y8051W147	TWT8051W	30 m, one-sided 
<input type="checkbox"/>	Y8051W145	TWT8051W	30 m, two-sided 
<input type="checkbox"/>	Y8051W149	TWT8051W	30 m, one-sided 

Individually packed non-addressable 24–230 V centrally supplied emergency exit lights






















Colour	Product code	Luminaire	Pictogram
<input type="checkbox"/>	Y8071W103	TWT8071W	20 m, two-sided 
<input type="checkbox"/>	Y8071W108	TWT8071W	20 m, one-sided 
<input type="checkbox"/>	Y8071W107	TWT8071W	20 m, one-sided 
<input type="checkbox"/>	Y8071W105	TWT8071W	20 m, two-sided 
<input type="checkbox"/>	Y8071W109	TWT8071W	20 m, one-sided 
<input type="checkbox"/>	Y8071W133	TWT8071W	26 m, two-sided 
<input type="checkbox"/>	Y8071W138	TWT8071W	26 m, one-sided 
<input type="checkbox"/>	Y8071W137	TWT8071W	26 m, one-sided 
<input type="checkbox"/>	Y8071W135	TWT8071W	26 m, two-sided 
<input type="checkbox"/>	Y8071W139	TWT8071W	26 m, one-sided 
<input type="checkbox"/>	Y8071W143	TWT8071W	30 m, two-sided 
<input type="checkbox"/>	Y8071W148	TWT8071W	30 m, one-sided 
<input type="checkbox"/>	Y8071W147	TWT8071W	30 m, one-sided 
<input type="checkbox"/>	Y8071W145	TWT8071W	30 m, two-sided 
<input type="checkbox"/>	Y8071W149	TWT8071W	30 m, one-sided 

ESC 80

Individually packed non-addressable 24 V centrally supplied emergency exit lights

Colour	Product code	Luminaire	Pictogram
<input type="checkbox"/>	Y8041W103	TWT8041W	20 m, two-sided 
<input type="checkbox"/>	Y8041W108	TWT8041W	20 m, one-sided 
<input type="checkbox"/>	Y8041W107	TWT8041W	20 m, one-sided 
<input type="checkbox"/>	Y8041W105	TWT8041W	20 m, two-sided 
<input type="checkbox"/>	Y8041W109	TWT8041W	20 m, one-sided 
<input type="checkbox"/>	Y8041W133	TWT8041W	26 m, two-sided 
<input type="checkbox"/>	Y8041W138	TWT8041W	26 m, one-sided 
<input type="checkbox"/>	Y8041W137	TWT8041W	26 m, one-sided 
<input type="checkbox"/>	Y8041W135	TWT8041W	26 m, two-sided 
<input type="checkbox"/>	Y8041W139	TWT8041W	26 m, one-sided 
<input type="checkbox"/>	Y8041W143	TWT8041W	30 m, two-sided 
<input type="checkbox"/>	Y8041W148	TWT8041W	30 m, one-sided 
<input type="checkbox"/>	Y8041W147	TWT8041W	30 m, one-sided 
<input type="checkbox"/>	Y8041W145	TWT8041W	30 m, two-sided 
<input type="checkbox"/>	Y8041W149	TWT8041W	30 m, one-sided 

Separately ordered pictograms

Product code	Pictogram	Product description	Viewing distance
PBV80202E		down arrow, two-sided	20 m
PBV80202E3		down arrow, one-sided	20 m
PBV80201E		side arrow, two-sided	20 m
PBV80201E1		right arrow, one-sided	20 m
PBV80201E2		left arrow, one-sided	20 m
PBV80205E		up arrow, two-sided	20 m
PBV80205E3		up arrow, one-sided	20 m
PBV80262E		down arrow, two-sided	26 m
PBV80262E3		down arrow, one-sided	26 m
PBV80261E		side arrow, two-sided	26 m
PBV80261E1		right arrow, one-sided	26 m
PBV80261E2		left arrow, one-sided	26 m
PBV80265E		up arrow, two-sided	26 m
PBV80265E3		up arrow, one-sided	26 m
PBV80302E		down arrow, two-sided	30 m
PBV80302E3		down arrow, one-sided	30 m
PBV80301E		side arrow, two-sided	30 m
PBV80301E1		right arrow, one-sided	30 m
PBV80301E2		left arrow, one-sided	30 m
PBV80305E		up arrow, two-sided	30 m
PBV80305E3		up arrow, one-sided	30 m

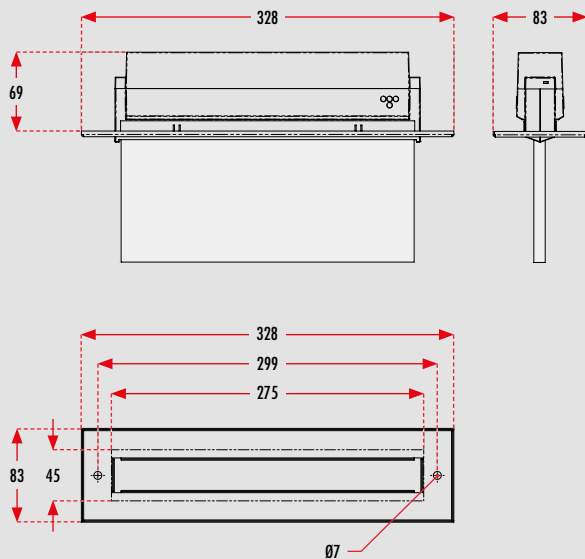
ESC 80 and ESC 80X

Accessories

Product code	Product description
TWT8001	Recess mounting frame (screw mounting)
TWT8001M	Recess mounting frame, black (screw mounting)
TWT8006	Recess mounting frame (spring mounting)
TWT8006M	Recess mounting frame, black (spring mounting)
TWT9002	Flag bracket
TWT9002M	Flag bracket, black
TWT9000	Suspension bracket
TWT9000M	Suspension bracket, black
TW77510B	Shock protecting cover

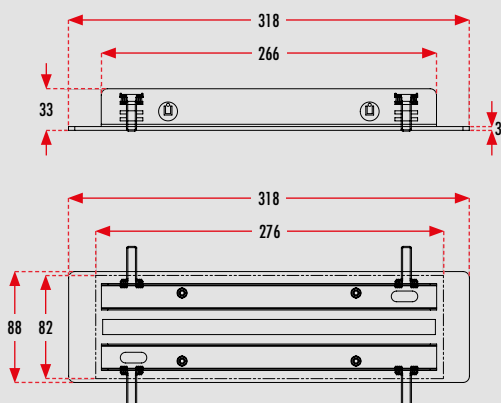
Dimensions [mm]

TWT8001B(M) | Recess mounting frame (screw mounting)*

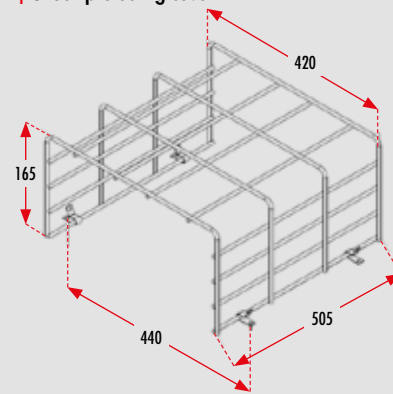


* Aperture for recess mounting 45 mm x 275 mm

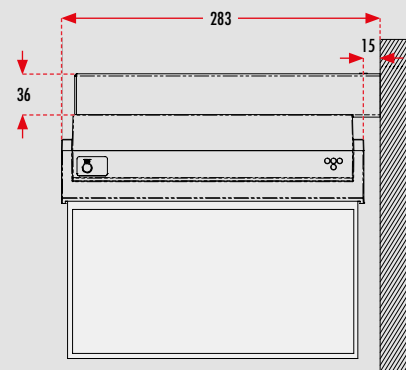
TWT8006B(M) | Recess mounting frame (spring mounting)



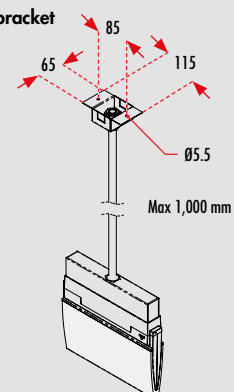
TW77510B | Shock protecting cover



TWT9002(M) | Flag bracket








TWT9000(M) | Suspension bracket





ESC 80X

Centrally supplied adaptive emergency exit light

 CBS	 LED	 IP 44
RAL 9003	RAL 9005	 OTHER RAL COLOURS BY ORDER
26m	-O-	
 CE	EN 60598-2-22	

Adaptive emergency exit light with light plate

The Teknoware ESC 80X is an adaptive emergency exit light that can be configured to warn about escape routes that have become dangerous. In order to work, the ESC 80X requires the Teknoware Route Controller control unit (TST6901) and the Teknoware Intelligent Controller interface to the central battery unit. The adaptive luminaire can be controlled with almost any system via relay contact. Under normal conditions, the ESC 80X works like any other emergency exit light.

The ESC 80X is part of the versatile ESC 80 product family. With its slender light plate, this luminaire is particularly well suited to elegant spaces and, thanks to its IP44 enclosure class, also to humid spaces.

The ESC 80X can be ceiling- or wall mounted as a default. The luminaire is particularly easy and fast to install, thanks to a separate mounting piece, into which the power supply is also connected. The ESC 80X can also be recess, suspension or flag mounted with handy accessories.

The standard colours are white (RAL 9003) and black (RAL 9005). Other RAL colours are available upon special order.



Normal exit light mode



Adaptivity enabled

Adaptive emergency exit light

Red cross will be shown on the pictogram if the escape route has become dangerous.

Viewing distance

26 metres.

Splash-resistant

IP 44.

Quick and easy mounting

Ceiling or wall mounting with the separate mounting piece that is supplied with the product.

Versatile

The standard frame can be used for different mounting methods.



HIGHLIGHTS



FOR REFINED SPACES



EXTENSIVE PRODUCT RANGE



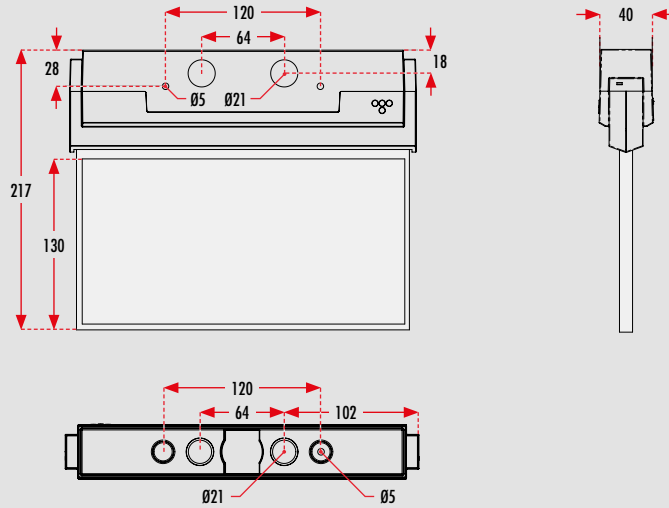
ADAPTIVE EMERGENCY EXIT LIGHT



SPLASH-RESISTANT

Dimensions [mm]

ESC 80X | Luminaire



TapsoCtrl

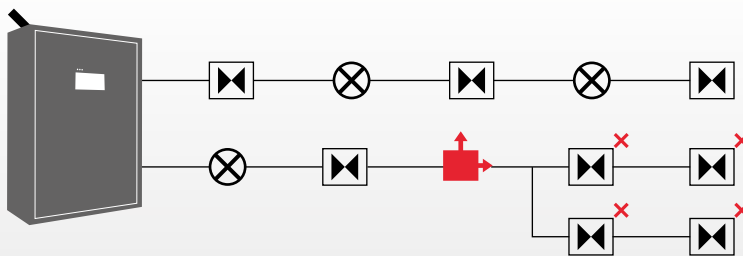
Addressable 230 V centrally supplied emergency exit lights

Colour	Product code	Nominal supply voltage	Max. input power	Operating temperature	Electrical installation	Protection class	Weight
□	TWT8051WKX	220–240 V 50/60 Hz AC, DC	6.6 VA / 4.2 W	–30...+50°C	2/3 x 2.5 mm ²	2	0.69 kg
■	TWT8051WKXT	220–240 V 50/60 Hz AC, DC	6.6 VA / 4.2 W	–30...+50°C	2/3 x 2.5 mm ²	2	0.69 kg

Separately ordered adaptive pictograms

Product code	Pictogram	Product description	Viewing distance
PBV80261E1X		right arrow, one-sided	26 m
PBV80261E2X		left arrow, one-sided	26 m
PBV80262E3X		down arrow, one-sided	26 m
PBV80262E4X		up arrow, one-sided	26 m

Operating principle of a centrally supplied adaptive system







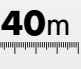
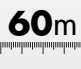
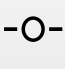




Accessories
on
page 74



ESC 81

Centrally supplied emergency exit light

Stylish emergency exit light with a light plate and a viewing distance of up to 60 metres.

The Teknoware ESC 81 is an emergency exit light that is an excellent choice for more refined spaces and, thanks to its IP44 enclosure class, it is also suitable for wet spaces.

The emergency exit light is equipped with a light plate, and it is available in two sizes, with viewing distances of 40 or 60 metres. ESC 81 can be used as one or two-sided. ESC 81 is suitable for ceiling- and wall mounting as standard. The luminaire is particularly easy and fast to install, thanks to a separate mounting piece, into which the power supply is also connected. The ESC 81 can also be recess, suspension or flag mounted with easy-to-use accessories.

The standard colours are white (RAL 9003) and black (RAL 9005). Other RAL colours are available upon special order.



40 m



60 m

Viewing distance

40 or 60 metres, depending on the model.

Versatile

The standard frame can be used in different mounting methods.

Splash-resistant

IP 44.

Quick and easy mounting

Ceiling or wall mounting with the separate mounting piece that is supplied with the product.



HIGHLIGHTS



FOR REFINED SPACES



EXTENSIVE PRODUCT RANGE

max.
60m

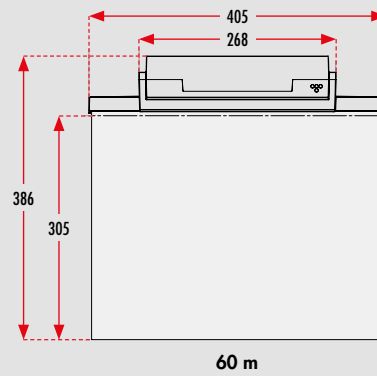
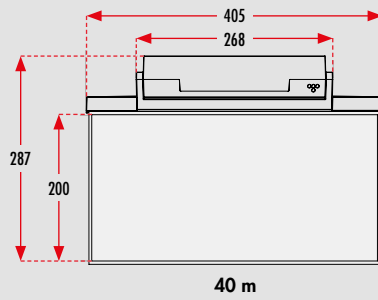
VIEWING DISTANCE



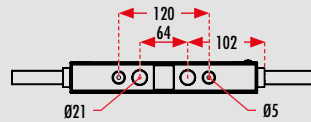
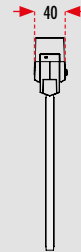
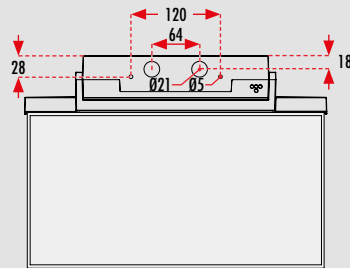
SPLASH-RESISTANT

Dimensions [mm]

ESC 81 | Luminaires



ESC 81 | Enclosure dimensions



Addressable 230 V centrally supplied emergency exit lights



Colour	Product code	Nominal supply voltage	Max. input power	Operating temperature	Electrical installation	Protection class	Weight
□	TWT8151WK *	220–240 V, 50/60 Hz AC, DC	6.5 VA / 4.2 W	–30...+50°C	2/3 x 2.5 mm ²	2	1.4 kg
■	TWT8151WKT	220–240 V, 50/60 Hz AC, DC	6.5 VA / 4.2 W	–30...+50°C	2/3 x 2.5 mm ²	2	1.4 kg

* SGS FI certified

Non-addressable 230 V centrally supplied emergency exit lights

Colour	Product code	Nominal supply voltage	Max. input power	Operating temperature	Electrical installation	Protection class	Weight
□	TWT8151W	220–240 V, 50/60 Hz AC, DC	5.5 VA / 3.2 W	–30...+50°C	2/3 x 2.5 mm ²	2	1.4 kg
■	TWT8151WT	220–240 V, 50/60 Hz AC, DC	5.5 VA / 3.2 W	–30...+50°C	2/3 x 2.5 mm ²	2	1.4 kg

Non-addressable 24–230 V centrally supplied emergency exit lights

Colour	Product code	Nominal supply voltage	Max. input power	Operating temperature	Electrical installation	Protection class	Weight
□	TWT8171W	24–230 V 50/60 Hz AC, DC	24 V = 3 VA / 2.1 W 230 V = 6.4 VA / 2.1 W	–30...+50°C	24 V = 2 x 2.5 mm ² 230 V = 3 x 2.5 mm ²	3 2	1.4 kg
■	TWT8171WT	24–230 V 50/60 Hz AC, DC	24 V = 3 VA / 2.1 W 230 V = 6.4 VA / 2.1 W	–30...+50°C	24 V = 2 x 2.5 mm ² 230 V = 3 x 2.5 mm ²	3 2	1.4 kg

ESC 81



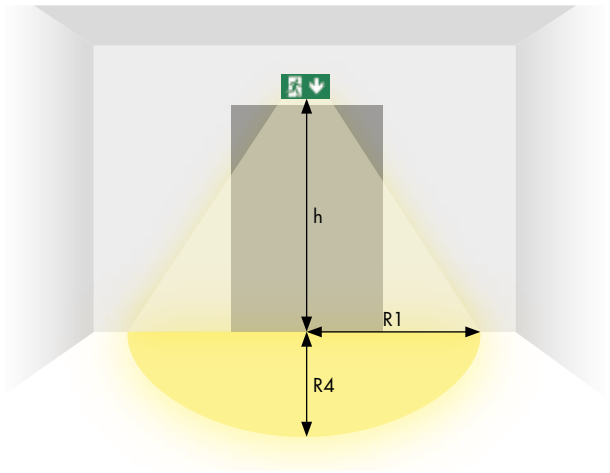
Addressable 24 V centrally supplied emergency exit lights

Colour	Product code	Nominal supply voltage	Max. input power	Operating temperature	Electrical installation	Protection class	Weight
□	TWT8141WK	24 V 50/60 Hz AC, DC	3.6 VA / 3.8 W	-30...+50°C	2/3 x 2.5 mm ²	3	1.4 kg
■	TWT8141WKT	24 V 50/60 Hz AC, DC	3.6 VA / 3.8 W	-30...+50°C	2/3 x 2.5 mm ²	3	1.4 kg

Non-addressable 24 V centrally supplied emergency exit lights

Colour	Product code	Nominal supply voltage	Max. input power	Operating temperature	Electrical installation	Protection class	Weight
□	TWT8141W	24 V 50/60 Hz AC, DC	3.2 VA / 3.8 W	-30...+50°C	2/3 x 2.5 mm ²	3	1.4 kg
■	TWT8141WT	24 V 50/60 Hz AC, DC	3.2 VA / 3.8 W	-30...+50°C	2/3 x 2.5 mm ²	3	1.4 kg

Light distribution | Downlight chart for exit lights



- 1 and 0.5 lux table below the emergency exit light.
- Level of measurement 0.02 m, measurement result with battery operation.

R1 distance from wall, X axis











R4 distance from wall, Y axis

TWT8141W(T), TWT8151W(T), TWT8151WK(T)











Mounting height (m)	Below the light (lx)	R1 (m)	R4 (m)	R1 (m)	R4 (m)
		1 lx	1 lx	0.5 lx	0.5 lx
2	1.5	0.5	1	1.5	2
2.5	0.8	-	-	1.5	2

Individually packed addressable 230 V centrally supplied emergency exit lights













Colour	Product code	Luminaire	Pictogram
<input type="checkbox"/>	Y8151WK153	TWT8151WK	40 m, two-sided 
<input type="checkbox"/>	Y8151WK158	TWT8151WK	40 m, one-sided 
<input type="checkbox"/>	Y8151WK157	TWT8151WK	40 m, one-sided 
<input type="checkbox"/>	Y8151WK155	TWT8151WK	40 m, two-sided 
<input type="checkbox"/>	Y8151WK159	TWT8151WK	40 m, one-sided 
<input type="checkbox"/>	Y8151WK163	TWT8151WK	60 m, two-sided 
<input type="checkbox"/>	Y8151WK168	TWT8151WK	60 m, one-sided 
<input type="checkbox"/>	Y8151WK167	TWT8151WK	60 m, one-sided 
<input type="checkbox"/>	Y8151WK165	TWT8151WK	60 m, two-sided 
<input type="checkbox"/>	Y8151WK169	TWT8151WK	60 m, one-sided 

Individually packed non-addressable 230 V centrally supplied emergency exit lights














Colour	Product code	Luminaire	Pictogram
<input type="checkbox"/>	Y8151W153	TWT8151W	40 m, two-sided 
<input type="checkbox"/>	Y8151W158	TWT8151W	40 m, one-sided 
<input type="checkbox"/>	Y8151W157	TWT8151W	40 m, one-sided 
<input type="checkbox"/>	Y8151W155	TWT8151W	40 m, two-sided 
<input type="checkbox"/>	Y8151W159	TWT8151W	40 m, one-sided 
<input type="checkbox"/>	Y8151W163	TWT8151W	60 m, two-sided 
<input type="checkbox"/>	Y8151W168	TWT8151W	60 m, one-sided 
<input type="checkbox"/>	Y8151W167	TWT8151W	60 m, one-sided 
<input type="checkbox"/>	Y8151W165	TWT8151W	60 m, two-sided 
<input type="checkbox"/>	Y8151W169	TWT8151W	60 m, one-sided 

Individually packed non-addressable 24 V centrally supplied emergency exit lights

Colour	Product code	Luminaire	Pictogram
<input type="checkbox"/>	Y8141W153	TWT8141W	40 m, two-sided 
<input type="checkbox"/>	Y8141W158	TWT8141W	40 m, one-sided 
<input type="checkbox"/>	Y8141W157	TWT8141W	40 m, one-sided 
<input type="checkbox"/>	Y8141W155	TWT8141W	40 m, two-sided 
<input type="checkbox"/>	Y8141W159	TWT8141W	40 m, one-sided 
<input type="checkbox"/>	Y8141W163	TWT8141W	60 m, two-sided 
<input type="checkbox"/>	Y8141W168	TWT8141W	60 m, one-sided 
<input type="checkbox"/>	Y8141W167	TWT8141W	60 m, one-sided 
<input type="checkbox"/>	Y8141W165	TWT8141W	60 m, two-sided 
<input type="checkbox"/>	Y8141W169	TWT8141W	60 m, one-sided 

ESC 81

Separately ordered pictograms

Product code	Pictogram	Product description	Viewing distance
PBV81402E		down arrow, two-sided	40 m
PBV81402E3		down arrow, one-sided	40 m
PBV81401E		side arrow, two-sided	40 m
PBV81401E1		right arrow, one-sided	40 m
PBV81401E2		left arrow, one-sided	40 m
PBV81405E		up arrow, two-sided	40 m
PBV81405E3		up arrow, one-sided	40 m
PBV81602E		down arrow, two-sided	60 m
PBV81602E3		down arrow, one-sided	60 m
PBV81601E		side arrow, two-sided	60 m
PBV81601E1		right arrow, one-sided	60 m
PBV81601E2		left arrow, one-sided	60 m
PBV81605E		up arrow, two-sided	60 m
PBV81605E3		up arrow, one-sided	60 m

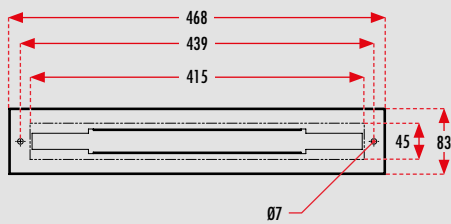
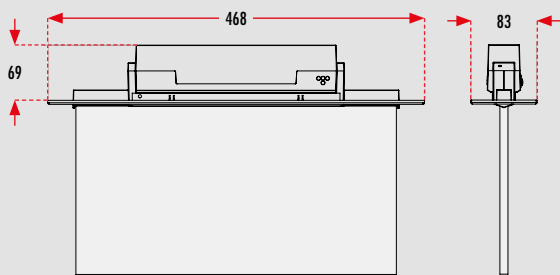
ESC 81

Accessories

Product code	Product description
TWT8101	Recess mounting frame
TWT8101M	Recess mounting frame, black
TWT8102	Flag bracket
TWT8102M	Flag bracket, black
TWT9000	Suspension bracket
TWT9000M	Suspension bracket, black
TW77510B	Shock protecting cover

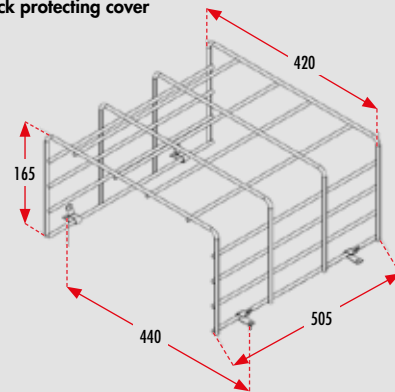
Dimensions [mm]

TWT8101(M) | Recess mounting frame *

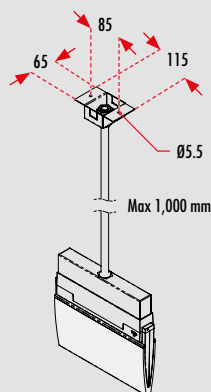


* Aperture for recess mounting 45 mm x 415 mm.

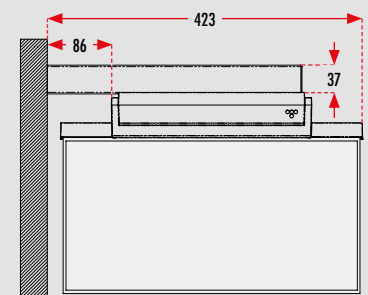
TW77510B | Shock protecting cover



TWT9000(M) | Suspension bracket

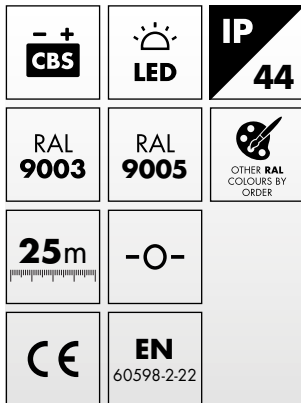


TWT8102(M) | Flag bracket



ESC 90

Centrally supplied emergency exit light



Practical emergency exit light with easily replaceable pictograms

The Teknoware ESC 90 is an easy-to-use and practical emergency exit light for a wide range of applications. Replacing the pictograms is easy, because they are simply inserted into the frame. ESC 90 can be used as one or two-sided.

The ESC 90 is suitable for ceiling- and wall mounting as standard. The luminaire is particularly easy and fast to install, thanks to a separate mounting piece, into which the power supply is also connected. The ESC 90 can also be recess, suspension or flag mounted with easy-to-use accessories.

The standard colours are white (RAL 9003) and black (RAL 9005). Other RAL colours are available upon special order.



Easy pictogram replacement

Pictograms are inserted into the frame.

Viewing distance

25 metres.

Versatile

The standard frame can be used in different mounting methods.

Splash-resistant

IP 44.

Quick and easy mounting

Ceiling or wall mounting with the separate mounting piece that is supplied with the product.

Available as a dimmable model

Ideal for cinemas, for example.



HIGHLIGHTS



EXTENSIVE
PRODUCT RANGE



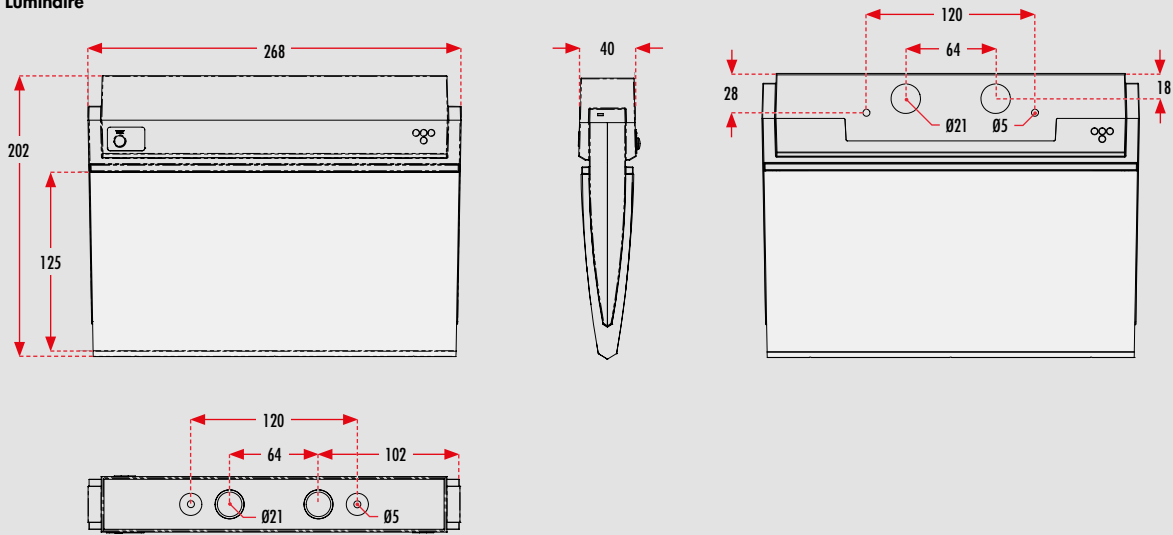
WIDE RANGE OF
PICTOGRAMS

25 m

VIEWING DISTANCE

Dimensions [mm]

ESC 90 | Luminaire



Addressable 230 V centrally supplied emergency exit lights

Colour	Product code	Nominal supply voltage	Max. input power	Operating temperature	Electrical installation	Protection class	Weight
□	TWT9051WK **	220–240 V 50/60 Hz AC, DC	6.6 VA / 4.2 W	–30...+50°C	2/3 x 2.5 mm ²	2	0.44 kg
■	TWT9051WKT	220–240 V 50/60 Hz AC, DC	6.6 VA / 4.2 W	–30...+50°C	2/3 x 2.5 mm ²	2	0.44 kg
□	TWT9051WKR **/**	220–240 V 50/60 Hz AC, DC	6.6 VA / 4.2 W	–30...+50°C	2/3 x 2.5 mm ²	2	0.44 kg
■	TWT9051WKRT *	220–240 V 50/60 Hz AC, DC	6.6 VA / 4.2 W	–30...+50°C	2/3 x 2.5 mm ²	2	0.44 kg

* Dimmable model that is ideal, for example, for cinemas. | ** SGS FI certified

Non-addressable 230 V centrally supplied emergency exit lights

Colour	Product code	Nominal supply voltage	Max. input power	Operating temperature	Electrical installation	Protection class	Weight
□	TWT9051W	220–240 V 50/60 Hz AC, DC	3.9 VA / 2.9 W	–30...+50°C	2/3 x 2.5 mm ²	2	0.44 kg
■	TWT9051WT	220–240 V 50/60 Hz AC, DC	3.9 VA / 2.9 W	–30...+50°C	2/3 x 2.5 mm ²	2	0.44 kg

Non-addressable 24–230 V centrally supplied emergency exit lights

Colour	Product code	Nominal supply voltage	Max. input power	Operating temperature	Electrical installation	Protection class	Weight
□	TWT9071W	24–230 V 50/60 Hz AC, DC	24 V = 2 VA / 1.5 W 230 V = 5.5 VA / 2 W	–30...+50°C	24 V = 2 x 2.5 mm ² 230 V = 3 x 2.5 mm ²	3 2	0.44 kg
■	TWT9071WT	24–230 V 50/60 Hz AC, DC	24 V = 2 VA / 1.5 W 230 V = 5.5 VA / 2 W	–30...+50°C	24 V = 2 x 2.5 mm ² 230 V = 3 x 2.5 mm ²	3 2	0.44 kg

Addressable 24 V centrally supplied emergency exit lights



Colour	Product code	Nominal supply voltage	Max. input power	Operating temperature	Electrical installation	Protection class	Weight
□	TWT9041WK	24 V 50/60 Hz AC, DC	2.3 VA / 2.3 W	–30...+50°C	2/3 x 2.5 mm ²	3	0.44 kg
■	TWT9041WKT	24 V 50/60 Hz AC, DC	2.3 VA / 2.3 W	–30...+50°C	2/3 x 2.5 mm ²	3	0.44 kg
□	TWT9041WKR *	24 V 50/60 Hz AC, DC	2.3 VA / 2.3 W	–30...+50°C	2/3 x 2.5 mm ²	3	0.44 kg
■	TWT9041WKRT *	24 V 50/60 Hz AC, DC	2.3 VA / 2.3 W	–30...+50°C	2/3 x 2.5 mm ²	3	0.44 kg

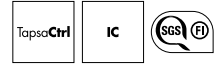
* Dimmable model that is ideal, for example, for cinemas.

Non-addressable 24 V centrally supplied emergency exit lights

Colour	Product code	Nominal supply voltage	Max. input power	Operating temperature	Electrical installation	Protection class	Weight
□	TWT9041W	24 V 50/60 Hz AC, DC	2 VA / 2.5 W	–30...+50°C	2/3 x 2.5 mm ²	3	0.44 kg
■	TWT9041WT	24 V 50/60 Hz AC, DC	2 VA / 2.5 W	–30...+50°C	2/3 x 2.5 mm ²	3	0.44 kg

ESC 90

Individually packed addressable 230 V centrally supplied emergency exit lights



Product code	Luminaire	Pictogram
Y9051WK120	TWT9051WK	pictogram set PB401 + white cover plate PB9007

Individually packed non-addressable 230 V centrally supplied emergency exit lights

Product code	Luminaire	Pictogram
Y9051W120	TWT9051W	pictogram set PB401 + white cover plate PB9007

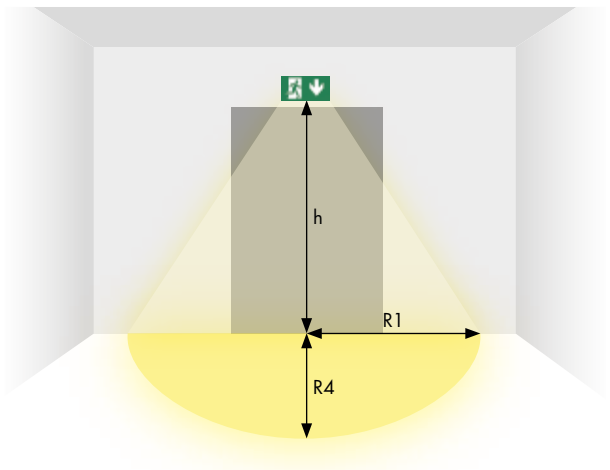
Individually packed non-addressable 24–230 V centrally supplied emergency exit lights

Product code	Luminaire	Pictogram
Y9071W120	TWT9071W	pictogram set PB401 + white cover plate PB9007

Individually packed non-addressable 24 V centrally supplied emergency exit lights

Product code	Luminaire	Pictogram
Y9041W120	TWT9041W	pictogram set PB401 + white cover plate PB9007

Light distribution | Downlight chart for exit lights



- 1 and 0.5 lux table below the emergency exit light.
- Level of measurement 0.02 m, measurement result with battery operation.

R1 distance from wall, X axis

R4 distance from wall, Y axis

TWT9041W(T), TWT9071W(T), TWT9051W(T), TWT9051WK(T)

Mounting height (m)	Below the light (lx)	R1 (m)	R4 (m)	R1 (m)	R4 (m)
		1 lx	1 lx	0.5 lx	0.5 lx
2	1.5	0.5	0.5	1	1
2.5	1.1	0.5	0.5	1	1

Pictograms

Product code	Pictogram	Product description
PB9006		down arrow
PB9005		right arrow
PB9004		left arrow
PB9010		up arrow
PB9007		white cover plate (1/delivery)
PB401		pictogram set (included pictograms PB9006 x 2, PB9005 x 1, PB9004 x 1)
PB402		pictogram set (included pictograms PB 9010 x 2, PB9005 x 1, PB9004 x 1)

| If the product is used two-sided, two pictograms are needed

Special pictograms

Product code	Pictogram	Product description
PB9006R		down arrow, accessible exit
PB9005R		right arrow, accessible exit
PB9004R		left arrow, accessible exit
PB9006H		down arrow, accessible exit with lift
PB9005H		right arrow, accessible exit with lift
PB9004H		left arrow, accessible exit with lift
PB9020		fire extinguisher

| If the product is used two-sided, two pictograms are needed

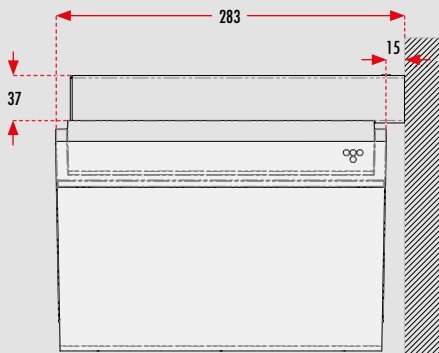
ESC 90

Accessories

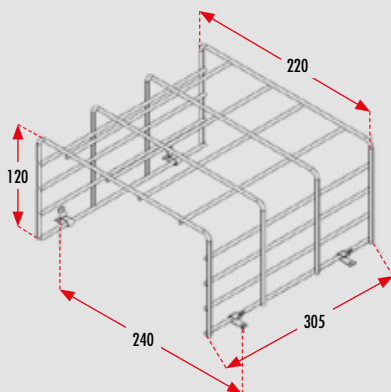
Product code	Product description
TWT9001	Recess mounting frame
TWT9001M	Recess mounting frame, black
TWT9002	Flag bracket
TWT9002M	Flag bracket, black
TWT9000	Suspension bracket
TWT9000M	Suspension bracket, black
TW77508B	Shock protecting cover

Dimensions [mm]

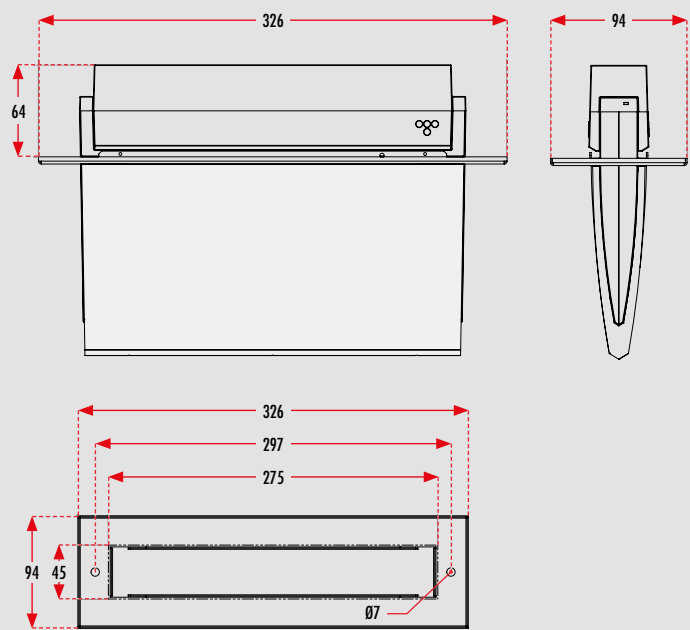
TWT9002(M) | Flag bracket



TW77508B | Shock protecting cover

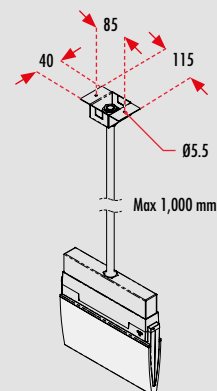


TWT9001(M) | Recess mounting frame



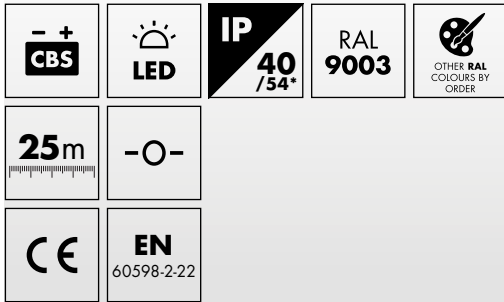
* Aperture for recess mounting 45 mm x 275 mm

TWT9000(M) | Suspension bracket



Easy: Combo

Centrally supplied
emergency exit light
or emergency light



A combination luminaire that can be used either as an emergency light or as an emergency exit light.

When fitted with the rotatable pictogram, the Easy Combo can show the direction arrow pointing up, down, left or right (pictogram included in the individually packed product). When using the Combo as an emergency exit luminaire, the ceiling mounting requires a separate ceiling bracket (TWTB104). Without the sign, the Combo works as an emergency light.

Thanks to its practical design, the Easy Combo can be easily surface or recess mounted – ceiling, suspension and flag mounting is available with a separate bracket. The standard colour is white (RAL 9003), other RAL colours are available upon special order. The Easy product family is an ideal choice when you want a single fixture for your entire property's emergency lighting needs.



- Dust- and water-resistant**
 The frame is made from strong plastic, and the luminaire is IP40 rated (* IP54 with a separate gasket).
- Easy to install**
 Surface or semi-recessed mounting as standard. Ceiling, recess, suspension and flag mounting with a separate bracket / frame.
- Combination luminaire**
 Can be used either as an emergency light or as an emergency exit light.
- Cost-effective**
 Emergency lighting for the entire property with one fixture.
- Versatile signs**
 The rotatable pictogram enables choosing the direction of the emergency exit light. When the Easy Combo is used as an emergency light, the pictogram is not required.



HIGHLIGHTS



MULTI-PURPOSE



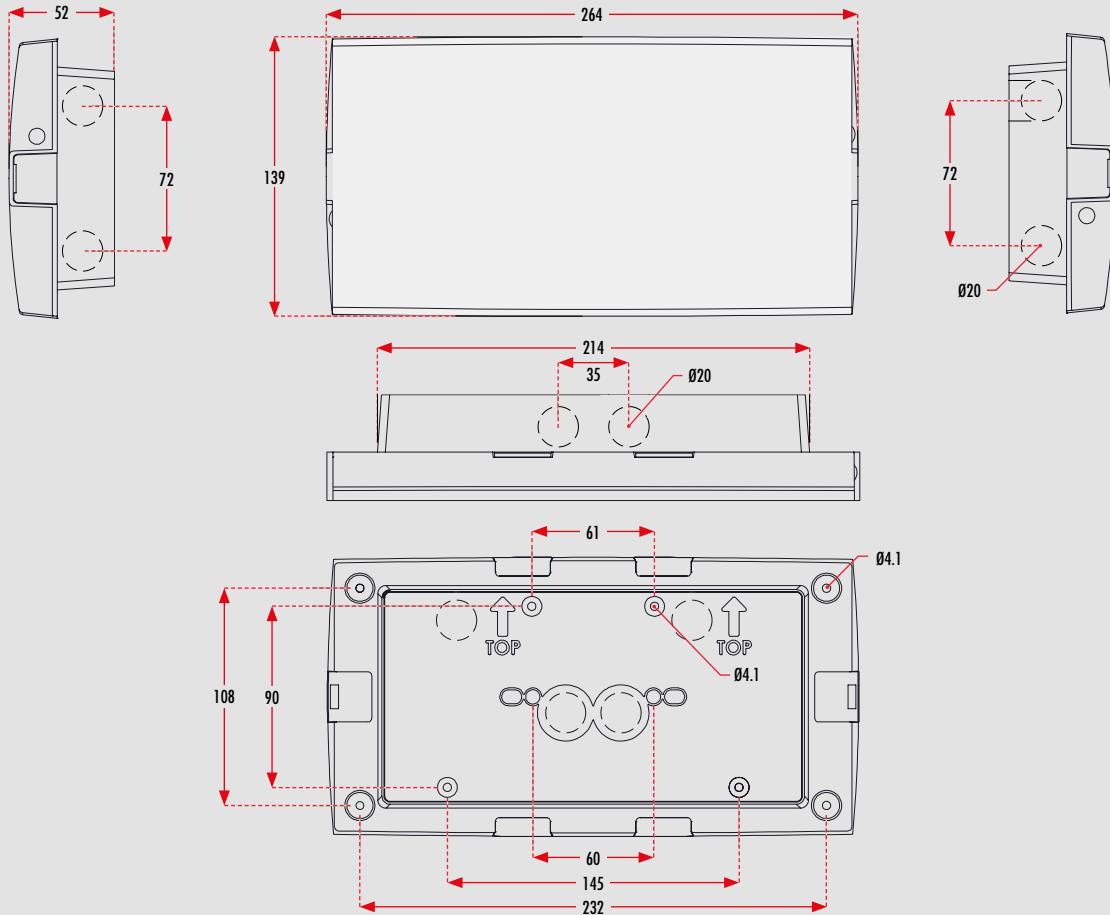
ADJUSTABLE
PICTOGRAMS

25 m

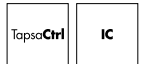
VIEWING DISTANCE

Dimensions [mm]

Easy Combo | Luminaire



Addressable 230 V centrally supplied combination lights




Product code	Nominal supply voltage	Max. input power	Luminous flux	Operating temperature	Electrical installation	Protection class	Weight
TWTB151WK	220–240 V 50/60 Hz AC, DC	5.7 VA / 3.4 W	170 lm	–30...+50°C	2/3 x 2.5 mm ²	2	0.55 kg


Non-addressable 230 V centrally supplied combination lights

Product code	Nominal supply voltage	Max. input power	Luminous flux	Operating temperature	Electrical installation	Protection class	Weight
TWTB171W	220–230 V 50/60 Hz AC, DC	24 V = 3.2 VA / 2.2 W 230 V = 5.4 VA / 2.3 W	170 lm	–30...+50°C	24 V = 2 x 2.5mm ² 230 V = 2/3 x 2.5mm ²	3 2	0.55 kg

Individually packed addressable 230 V centrally supplied combination lights

Product code	Luminaire	Pictogram
YB151WK120	TWTB151WK	Rotatable pictogram: product code PBB100 

Individually packed non-addressable 230 V centrally supplied combination lights

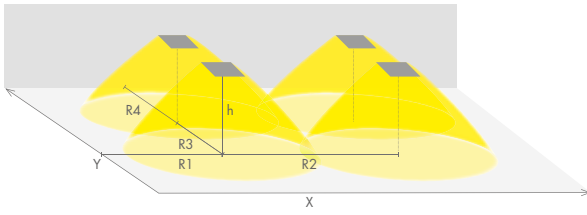
Product code	Luminaire	Pictogram
YB171W120	TWTB171W	Rotatable pictogram: product code PBB100 

Separately ordered pictograms

Product code	Pictogram	Product description	Viewing distance
PBB100		Rotatable pictogram	25 m

Easy: Combo

Light distribution | Emergency lighting for open areas (ceiling mounting)



- 0.5 lux table for open areas, in accordance with EN 1838; 0.5-m border zone is taken into account in the table.
- Level of measurement 0.02 m, measurement result with battery operation.

R1 distance from wall, X axis

R2 mounting distance, X axis

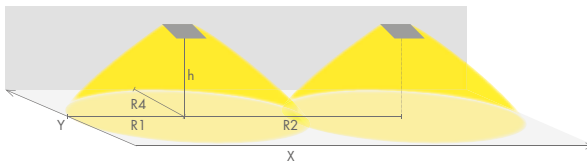
R3 mounting distance, Y axis

R4 distance from wall, Y axis

TWTB151WK

Mounting height (m)	Below the light (lx)	R1 (m)	R2 (m)	R3 (m)	R4 (m)
		0.5 lx	0.5 lx	0.5 lx	0.5 lx
2.5	7	3.5	7	7	3.5
3	5	3.5	7	7	3.5
4	2.5	3.5	7.5	7.5	3.5
6	1.2	4	8	8	4

Light distribution | Emergency lighting for escape routes (ceiling mounting)



- 1 lux table for the centre line of an escape route, in accordance with EN 1838.
- Level of measurement 0.02 m, measurement result with battery operation.

R1 distance from wall, X axis

R2 mounting distance, X axis

R4 distance from wall, Y axis

TWTB151WK

Mounting height (m)	Below the light (lx)	R1 (m)	R2 (m)	R4 (m)
		1 lx	1 lx	1 lx
2.5	7	3	8	1
3	5	3	8.5	1
4	2.5	3	9.5	1

Accessories

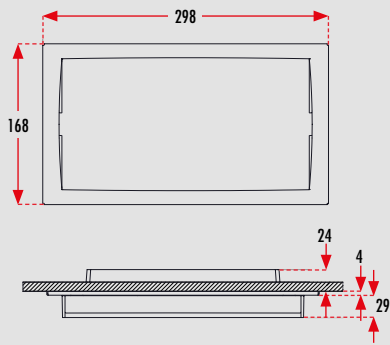
Product code	Product description
TWTB101	Recess mounting frame
TWTB103	Flag bracket
TWTB104	Ceiling bracket
TWTB105	Suspension bracket
TW77508B	Shock protecting cover
TWTB110	IP54 gasket

Easy: Combo

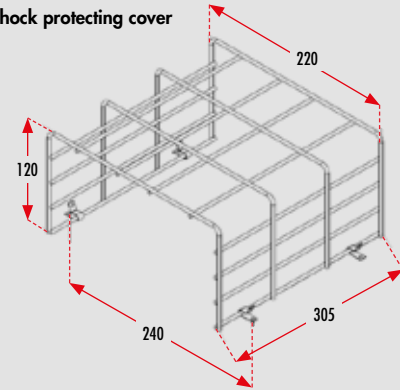
Accessories

Dimensions [mm]

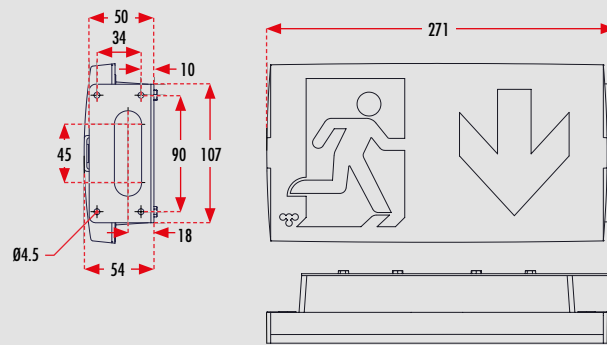
TWTB101 | Recess mounting frame



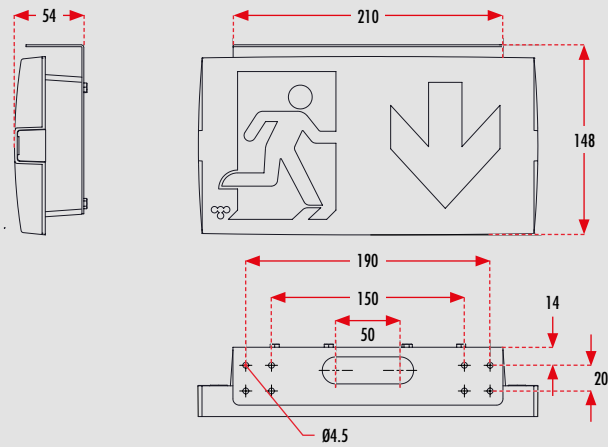
TW77508B | Shock protecting cover



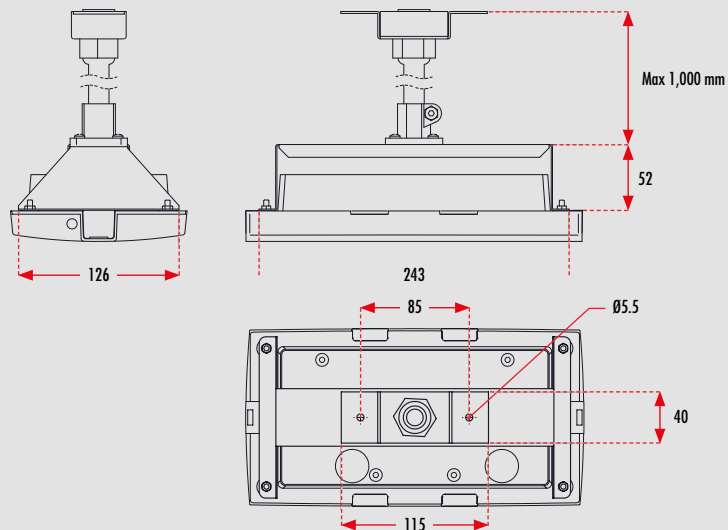
TWTB103 | Flag bracket



TWTB104 | Ceiling bracket

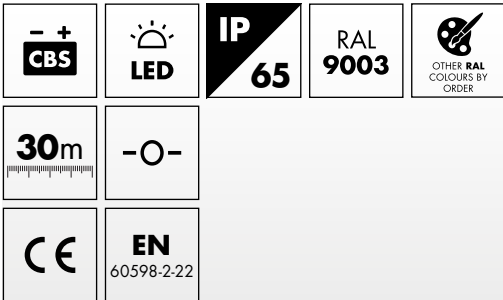


TWTB105 | Suspension bracket



Solid Exit

Centrally supplied
emergency exit light



Durable emergency exit light with easy-to-change pictograms for demanding conditions

The Teknoware Solid Exit is a robust emergency exit light for demanding conditions. The dustproof and water-resistant product's protection class is IP65, which makes it suitable for outdoor use and, for example, industrial spaces and parking halls.

The pictograms of this wall-mounted, one-sided emergency exit light are easy to change. Particular attention was paid to easy mounting in the design of this emergency exit light. The standard colour is white (RAL 9003), other RAL colours are available upon special order. Some Solid Exit models are equipped with a downlight for mounting above doors, for example.



For demanding conditions

Suitable for outdoor use and, for example, industrial spaces and parking halls.

Viewing distance

30 metres.

Versatile

Also available with a downlight.

Dustproof and water-resistant

IP 65.

Wall mounted

Particular attention was paid to easy installation in the design of this emergency exit light.

Wide range of pictograms

Easy replacement of pictograms.



HIGHLIGHTS



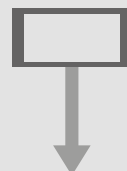
DEMANDING
CONDITIONS



EXTENSIVE
PRODUCT RANGE



INDOOR AND
OUTDOOR USE



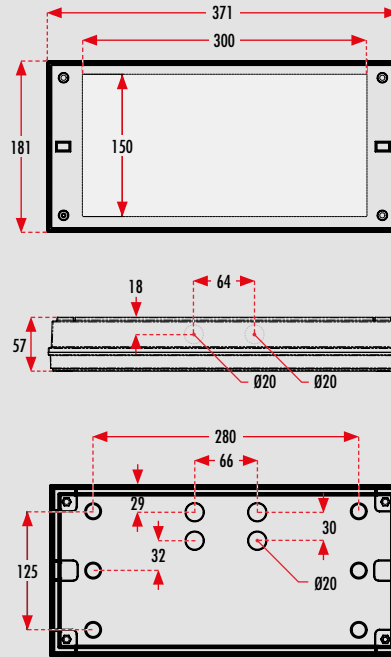
DOWNLIGHT
FEATURE



DUSTPROOF AND
WATER-RESISTANT

Dimensions [mm]

Solid Exit | Luminaire



Addressable 230 V centrally supplied emergency exit lights



Product code	Nominal supply voltage	Max. input power	Operating temperature	Electrical installation	Protection class	Weight
TWT3051WK **	220–240 V 50/60 Hz AC, DC	6 VA / 3 W	–30...+50°C	2/3 x 2.5 mm ²	2	1.35 kg
TWT3051WKE *	220–240 V 50/60 Hz AC, DC	6.5 VA / 3.5 W	–30...+50°C	2/3 x 2.5 mm ²	2	1.35 kg

* Emergency exit light with downlight | ** SGS Kitemark certified

Non-addressable 24–230 V centrally supplied emergency exit lights

Product code	Nominal supply voltage	Max. input power	Operating temperature	Electrical installation	Protection class	Weight
TWT3071W	24–230 V 50/60 Hz AC, DC	24 V = 1.2 VA / 0.8 W 230 V = 3.5 VA / 1.5 W	–30...+50°C	24 V = 2 x 2.5 mm ² 230 V = 3 x 2.5 mm ²	3 2	1.35 kg
TWT3071WE *	24–230 V 50/60 Hz AC, DC	24 V = 2 VA / 1.5 W 230 V = 4.5 VA / 2 W	–30...+50°C	24 V = 2 x 2.5 mm ² 230 V = 3 x 2.5 mm ²	3 2	1.35 kg

* Emergency exit light with downlight

Addressable 24 V centrally supplied emergency exit lights



Product code	Nominal supply voltage	Max. input power	Operating temperature	Electrical installation	Protection class	Weight
TWT3041WK	24 V 50/60 Hz AC, DC	3 VA / 3 W	–30...+50°C	2/3 x 2.5 mm ²	3	1.35 kg

Individually packed addressable 230 V centrally supplied emergency exit lights

Product code	Luminaire	Pictogram
Y3051WK140	TWT3051WK	pictogram set: pictograms PB3003E, PB3002E, PB3001E
Y3051WKE140	TWT3051WKE *	pictogram set: pictograms PB3003E, PB3002E, PB3001E

* Emergency exit light with downlight

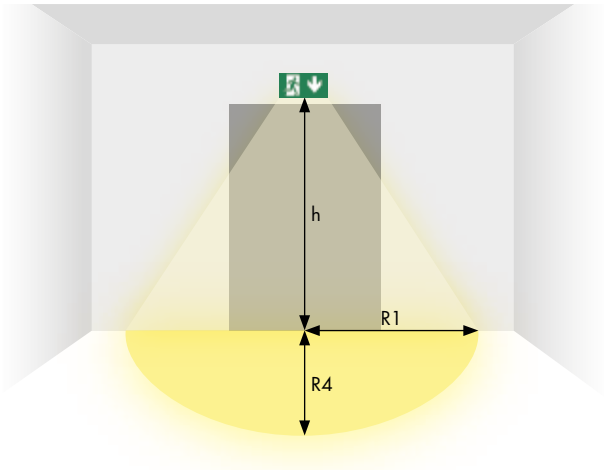
Individually packed non-addressable 24–230 V centrally supplied emergency exit lights

Product code	Luminaire	Pictogram
Y3071W140	TWT3071W	pictogram set: pictograms PB3003E, PB3002E, PB3001E
Y3071WE140	TWT3071WE *	pictogram set: pictograms PB3003E, PB3002E, PB3001E

* Emergency exit light with downlight

Solid Exit

Light distribution | Downlight chart for exit lights



- 1 and 0.5 lux table below the emergency exit light.
 - Level of measurement 0.02 m, measurement result with battery operation.
- R1** distance from wall, X axis
R4 distance from wall, Y axis

TWT3071WE, TWT3051WKE

Mounting height (m)	Below the light (lx)	R1 (m)	R4 (m)	R1 (m)	R4 (m)
		1 lx	1 lx	0.5 lx	0.5 lx
2	17	1.5	1.5	2	2
2.5	12	2	2	2.5	2.5
3	7.5	2	2	2.5	2.5
4	4	2	2	2.5	2.5
5	2.5	2	2	2.5	2.5
6	1.5	1.5	1.5	2.5	2.5

Separately ordered pictograms

Product code	Pictogram	Product description
PB3003E		down arrow
PB3002E		right arrow
PB3001E		left arrow
PB3005E		up arrow

| One-sided pictogram

Accessories

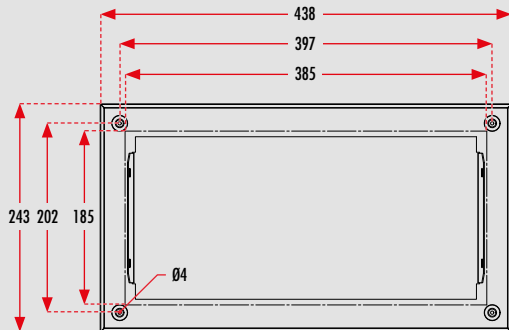
Product code	Product description
TWT3001	Recess mounting frame
TWT3002	Wall bracket
TWT3003	Flag bracket
TWT3004	Ceiling bracket

Solid Exit

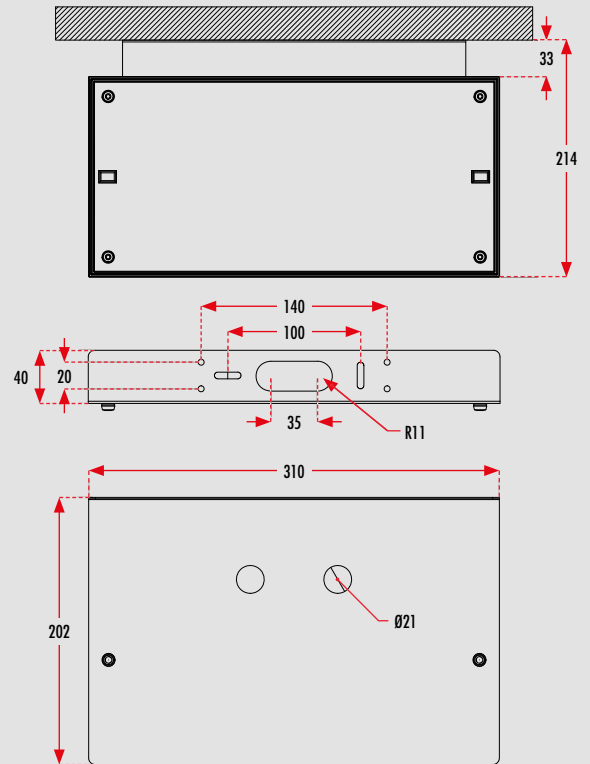
Accessories

Dimensions [mm]

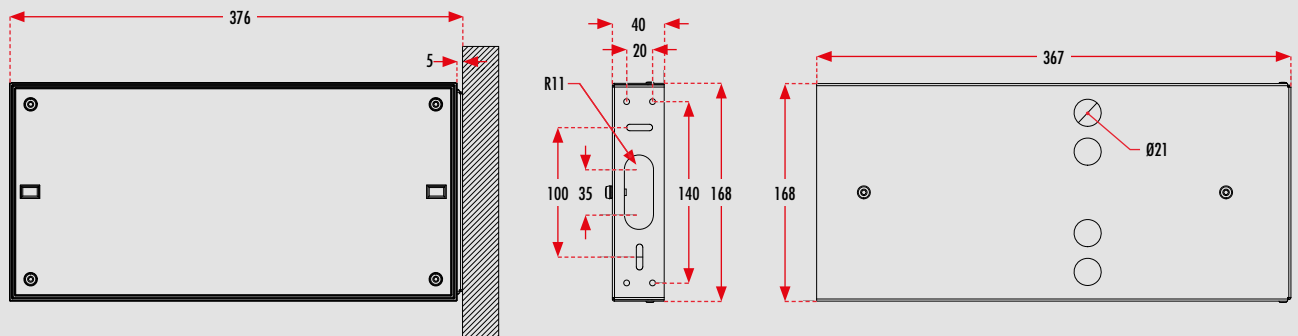
TWT3001 | Recess mounting frame



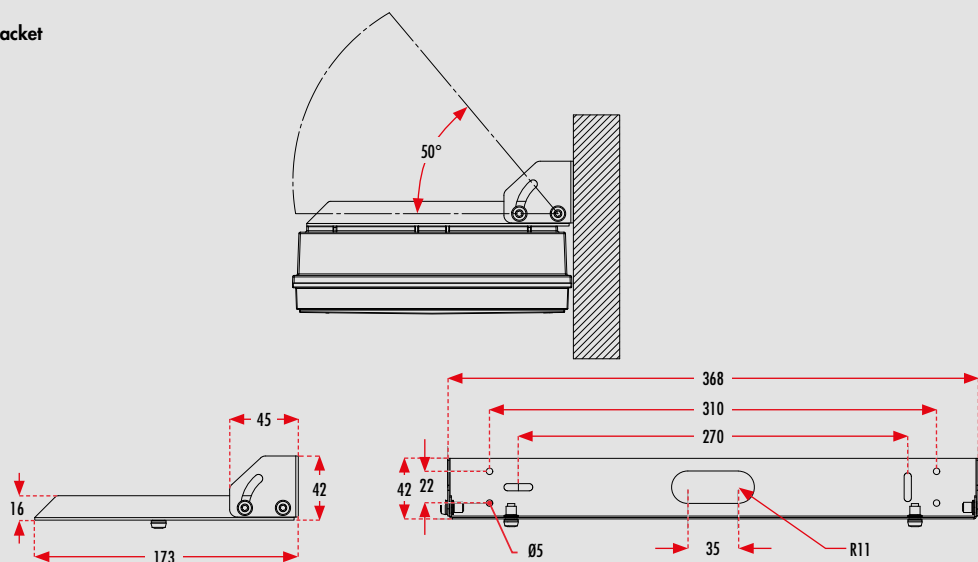
TWT3004 | Ceiling bracket



TWT3003 | Flag bracket



TWT3002 | Wall bracket



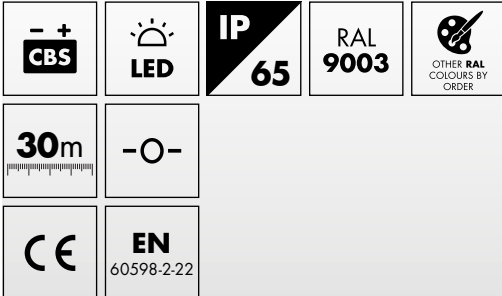
Solid Exit 2

Centrally supplied emergency exit light

Emergency exit light with a light plate for demanding conditions

The dustproof and water-resistant Solid Exit 2 has IP65 protection rating, which makes it suitable for outdoor use and, for example, industrial spaces and parking halls.

Particular attention was paid to easy mounting in the design of this two-sided emergency exit light. The standard colour is white (RAL 9003), other RAL colours are available upon special order.



For demanding conditions

Suitable for outdoor use and, for example, industrial spaces and parking halls.

Viewing distance

30 metres.

Elegant

Two-sided emergency exit light with a pictogram.

Dustproof and water-resistant

IP 65.

Easy mounting

Particular attention was paid to easy mounting in the design of this emergency exit light.



HIGHLIGHTS



DEMANDING CONDITIONS



EXTENSIVE PRODUCT RANGE



INDOOR AND OUTDOOR USE

30 m

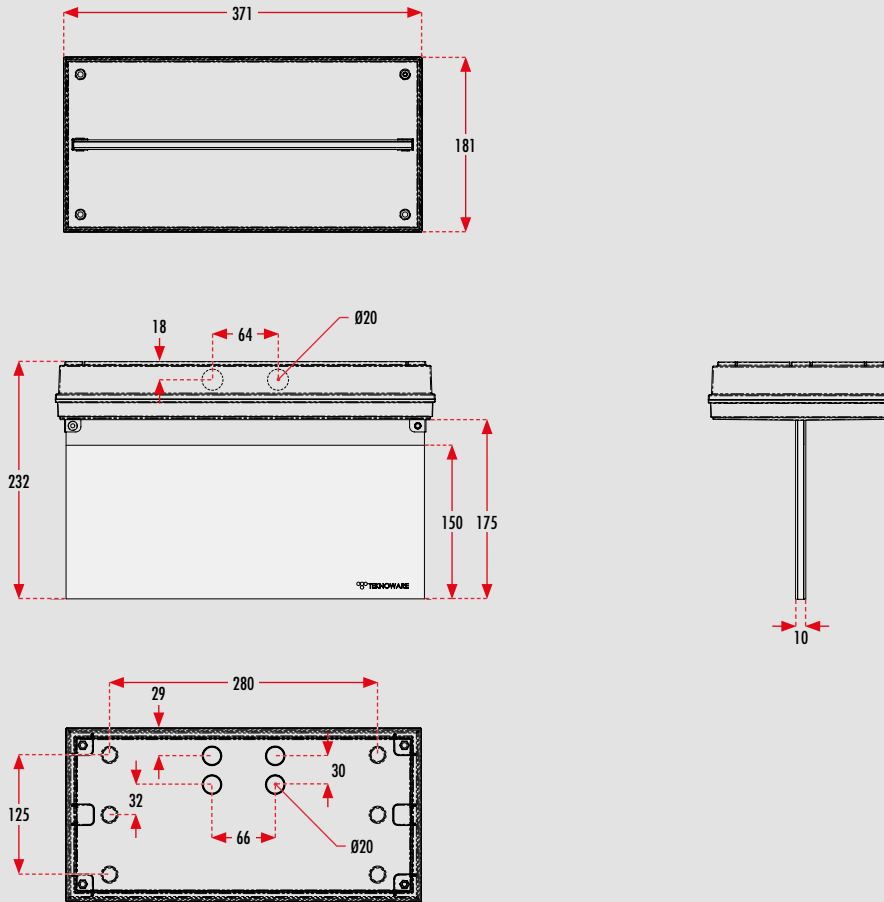
VIEWING DISTANCE



DUSTPROOF AND WATER-RESISTANT

Dimensions [mm]

Solid Exit 2 | Luminaire



Addressable 230 V centrally supplied emergency exit lights








Product code	Nominal supply voltage	Max. input power	Operating temperature	Electrical installation	Protection class	Weight
TWT3151WK	220–240 V 50/60 Hz AC, DC	6 VA / 3 W	–30...+50°C	2/3 x 2.5 mm ²	2	1.8 kg

Non-addressable 24–230 V centrally supplied emergency exit lights






Product code	Nominal supply voltage	Max. input power	Operating temperature	Electrical installation	Protection class	Weight
TWT3171W	24–230 V 50/60 Hz AC, DC	24 V = 8 VA / 5 W 230 V = 15 VA / 6 W	–30...+50°C	24 V = 2 x 2.5 mm ² 230 V = 3 x 2.5 mm ²	3 2	1.8 kg

Solid Exit 2








Individually packed addressable 230 V centrally supplied emergency exit lights

Product code	Luminaire	Pictogram
Y3151WK143	TWT3151WK	pictogram, two-sided 
Y3151WK148	TWT3151WK	pictogram, one-sided 
Y3151WK147	TWT3151WK	pictogram, one-sided 
Y3151WK145	TWT3151WK	pictogram, two-sided 
Y3151WK149	TWT3151WK	pictogram, one-sided 

Individually packed non-addressable 24–230 V centrally supplied emergency exit lights

Product code	Luminaire	Pictogram
Y3171W143	TWT3171W	pictogram, two-sided 
Y3171W148	TWT3171W	pictogram, one-sided 
Y3171W147	TWT3171W	pictogram, one-sided 
Y3171W145	TWT3171W	pictogram, two-sided 
Y3171W149	TWT3171W	pictogram, one-sided 

Separately ordered pictograms

Product code	Pictogram	Product description
PBV31302E		down arrow, two-sided
PBV31302E3		down arrow, one-sided
PBV31301E		side arrow, two-sided
PBV31301E1		right arrow, one-sided
PBV31301E2		left arrow, one-sided
PBV31305E		up arrow, two-sided
PBV31305E3		up arrow, one-sided

Accessories

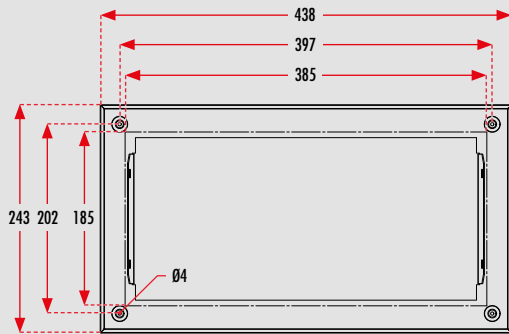
Product code	Product description
TWT3001	Recess mounting frame
TWT3002	Wall bracket
TWT3003	Flag bracket
TWT3006	Suspension bracket

Solid Exit 2

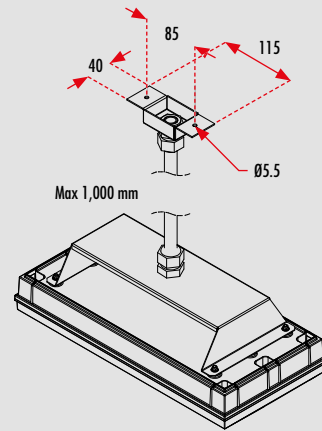
Accessories

Dimensions [mm]

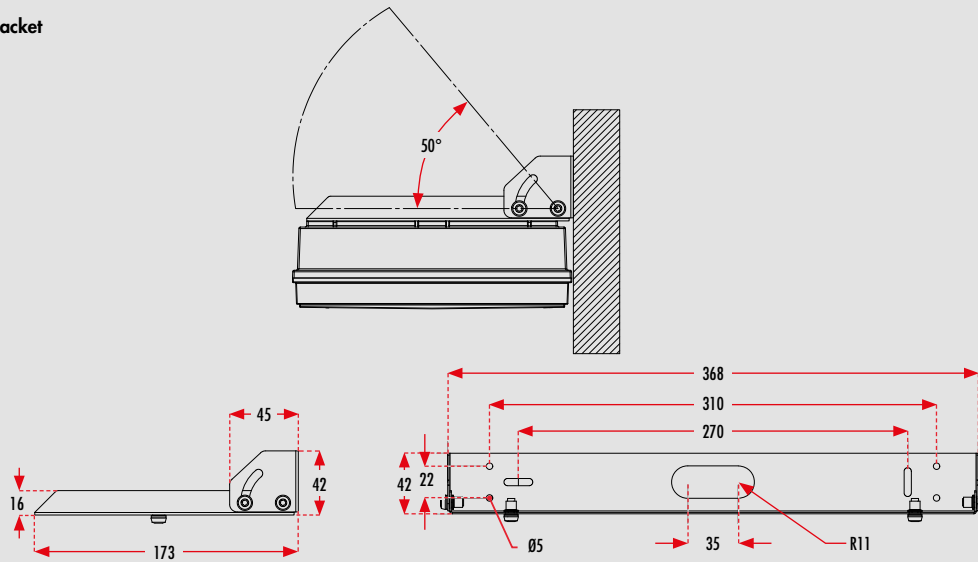
TWT3001 | Recess mounting frame



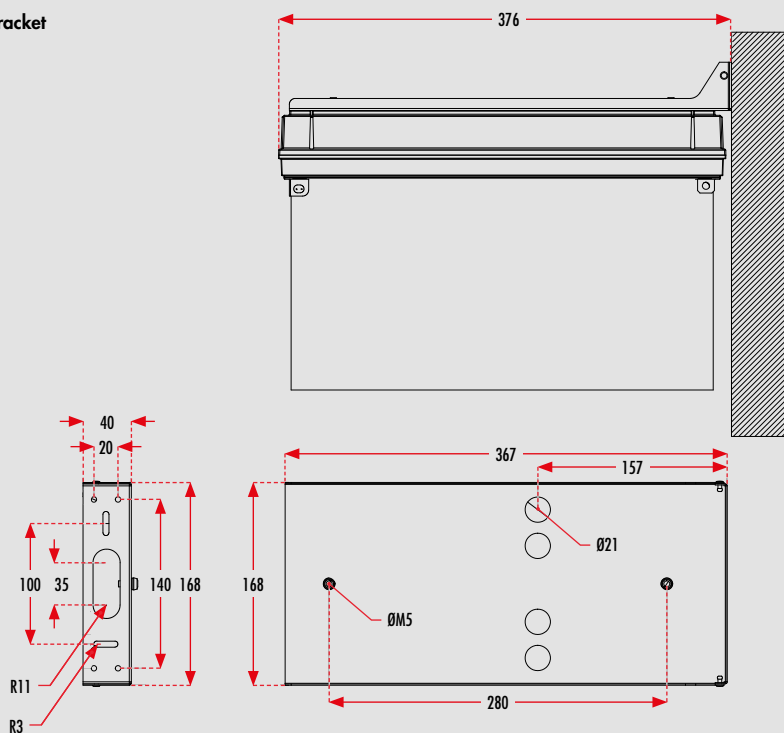
TWT3006 | Suspension bracket



TWT3002 | Wall bracket

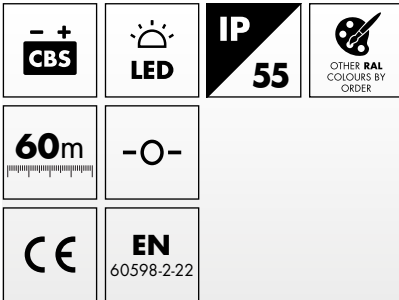


TWT3003 | Flag bracket



Plus

Centrally supplied emergency exit light



Emergency exit light for demanding conditions with a 60 m viewing distance

The Teknoware Plus is a durable emergency exit light for large spaces. The exit light with a metal body is particularly well suited for demanding conditions, such as parking and industrial halls, where the exit light must be visible at distances of up to 60 metres. The product is dust- and water-resistant (IP55) and durable against hard mechanical wear.

The Plus can be used as one or two-sided, and the pictograms are easy to replace. The Plus comes with ceiling mounting pieces, and it can be wall mounted with a separate bracket. The standard colour is white (RAL 9003); other RAL colours are available upon special order.



Viewing distance
60 metres.

For demanding conditions
Suitable for outdoor use and, in particular, industrial and parking halls.

Dust- and water-resistant
IP 55.

Versatile
Can be used as one or two-sided.



HIGHLIGHTS



DEMANDING
CONDITIONS



METAL BODY

60_m

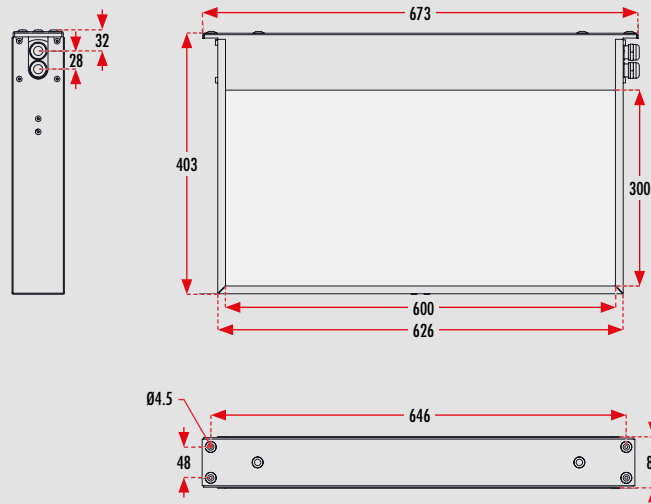
VIEWING DISTANCE



DUST- AND WATER-
RESISTANT

Dimensions [mm]

Plus | Luminaire



Addressable 230 V centrally supplied emergency exit lights

TapsoCtrl

Product code	Nominal supply voltage	Max. input power	Operating temperature	Electrical installation	Protection class	Weight
TWTF151WK	220–240 V 50/60 Hz AC, DC	7.6 VA / 4.7 W	–30...+50°C	3 x 2.5 mm ²	1	6.2 kg

Non-addressable 24–230 V centrally supplied emergency exit lights

Product code	Nominal supply voltage	Max. input power	Operating temperature	Electrical installation	Protection class	Weight
TWTF171W	24–230 V 50/60 Hz AC, DC	24 V = 5.6 VA / 3.6 W 230 V = 8.3 VA / 3.5 W	–30...+50°C	2 x 2.5 mm ² 3 x 2.5 mm ²	3 1	6.2 kg

Addressable 24 V centrally supplied emergency exit lights

TapsoCtrl

Product code	Nominal supply voltage	Max. input power	Operating temperature	Electrical installation	Protection class	Weight
TWTF141WK	24 V 50/60 Hz AC, DC	4.7 VA / 2.8 W	–30...+50°C	2/3 x 2.5 mm ²	3	6.2 kg

Separately ordered pictograms

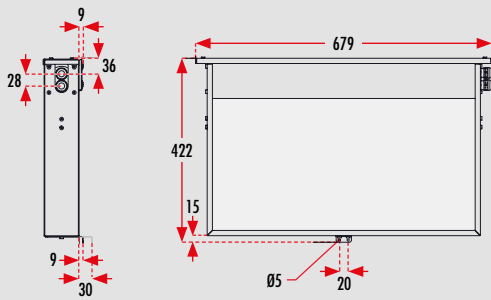
Product code	Pictogram	Product description
PBVF1602E		down arrow, two-sided
PBVF1601E		side arrow, two-sided
PBVF1605E		up arrow, two-sided
PBVF1602E3		down arrow, one-sided
PBVF1601E2		side arrow, one-sided
PBVF1601E1		side arrow, one-sided
PBVF1605E3		up arrow, one-sided

Accessories

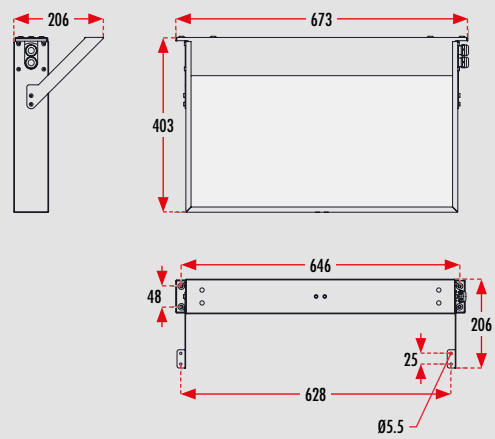
Product code	Product description
TWTF101	Wall support
TWTF102	Ceiling support
TWTF103	Wall bracket

Dimensions [mm]

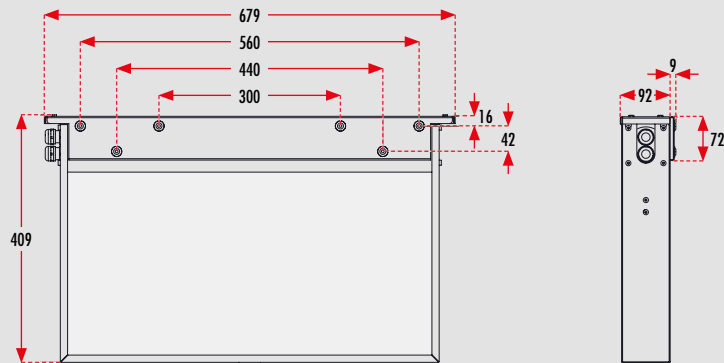
TWTF101 | Wall support



TWTF102 | Ceiling support



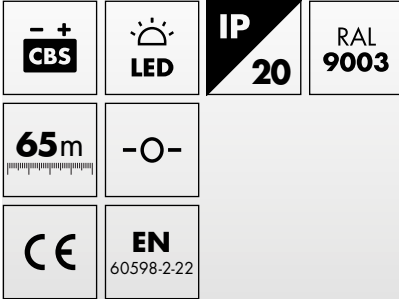
TWTF103 | Wall bracket





ESC Cube

Centrally supplied
emergency exit light



Large and impressive, cube-shaped emergency exit light, ideal for large public spaces.

The Teknoware ESC Cube is a large and impressive, cube-shaped emergency exit light. It is ideal for large public spaces, such as shopping centres, where the escape route sign must be visible in several directions in the centre of the space. The viewing distance of the luminaire is up to 65 metres, so one luminaire can serve as the emergency exit light for the entire surrounding area.

Pictograms can be attached to the luminaire on all four sides. The frame of the ESC Cube is made of plastic and metal. The luminaire is suitable for ceiling and wall mounting. Ceiling mounting is included as standard in the luminaire.



Pictograms on four sides

One luminaire can serve as the emergency exit light for the entire surrounding area.

Viewing distance

up to 65 metres.

For large public spaces

Especially for shopping centres, where the escape route sign must be visible in several directions in the middle of the space.

Ceiling mounting as standard

For ceiling and suspension mounting. Ceiling mounting included as standard.



HIGHLIGHTS



FOR OPEN SPACES



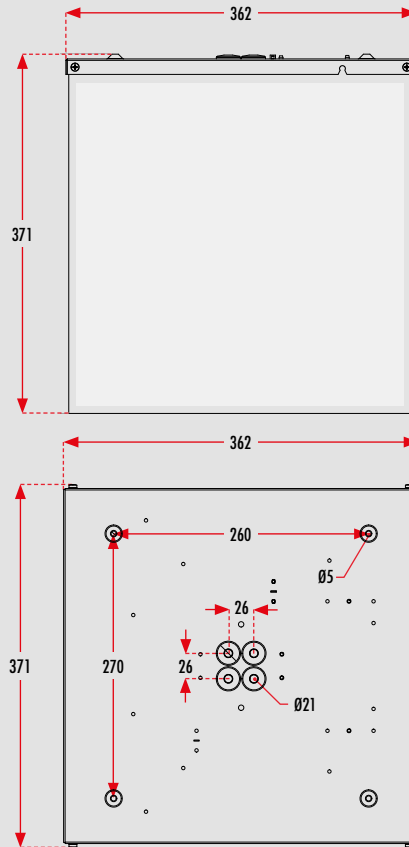
FOUR-SIDED EMERGENCY
EXIT LIGHT

65m

VIEWING DISTANCE

Dimensions [mm]

ESC Cube | Luminaire



Addressable 230 V centrally supplied emergency exit lights

Product code	Nominal supply voltage	Max. input power	Operating temperature	Electrical installation	Protection class	Weight
TWK6351WK	220–240 V 50/60 Hz AC, DC	17 VA / 10 W	–30...+50°C	3 x 2.5 mm ²	1	4 kg

Non-addressable 24–230 V centrally supplied emergency exit lights

Product code	Nominal supply voltage	Max. input power	Operating temperature	Electrical installation	Protection class	Weight
TWK6371W	24–230 V 50/60 Hz AC, DC	24 V = 16,5 VA / 7 W 230 V = 20 VA / 7 W	–30...+50°C	3 x 2.5 mm ²	3 1	4 kg

Separately ordered pictograms

Product code	Pictogram	Product description
PB6301		right arrow
PB6302		left arrow
PB6303		down arrow

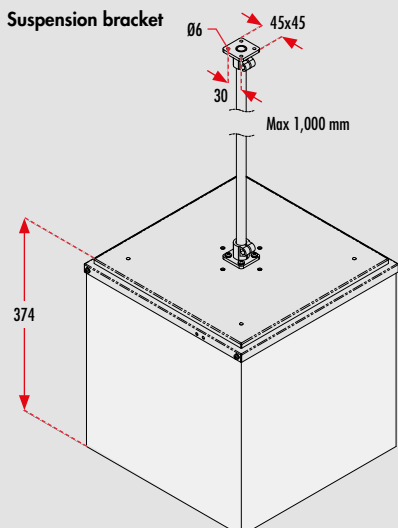
| The product is four-sided and requires four pictograms

Accessories

Product code	Product description
TWK6300	Suspension bracket (white, RAL9003), 1 m with pipe, Ø 16 mm

Dimensions [mm]

TWK6300 | Suspension bracket

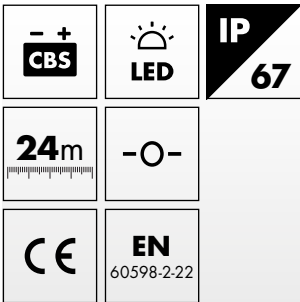


Robust Exit

Centrally supplied
emergency exit light

Robust emergency exit light for tunnels and other demanding conditions

The Teknoware Robust Exit is an emergency exit light for demanding conditions. The robust luminaire was originally designed for underground tunnels and is fully dust and waterproof (IP67). The Robust Exit is a wall-mounted exit light.



For demanding conditions

Designed for metro tunnels and other highly demanding conditions.

Durable

Robust frame.

Viewing distance

24 metres.

Dust- and waterproof

IP 67.



HIGHLIGHTS



EXTREME
CONDITIONS



FOR TUNNELS
AND INDUSTRY

24_m

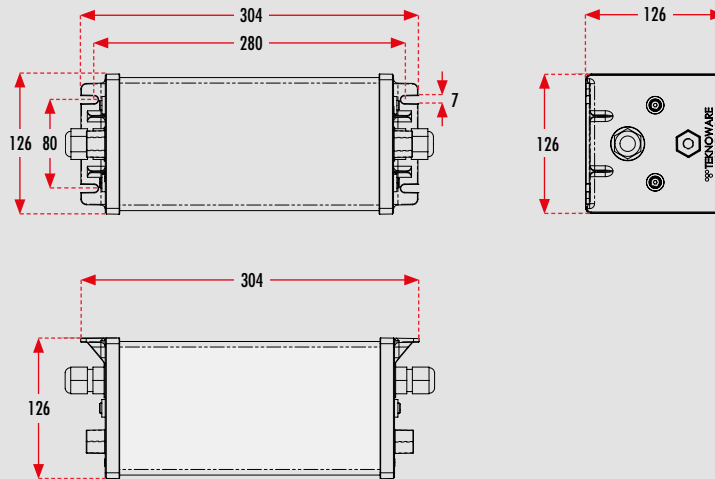
VIEWING DISTANCE



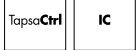
DUST- AND
WATERPROOF

Dimensions [mm]

Robust Exit | Luminaire



Addressable 230 V centrally supplied emergency exit lights



Product code	Nominal supply voltage	Input power	Operating temperature	Electrical installation	Protection class	Weight
TWT9651WK	220–240 V 50/60 Hz AC, DC	8.3 VA / 4.6 W	–30...+50°C	3 x 2.5 mm ²	1	1.3 kg

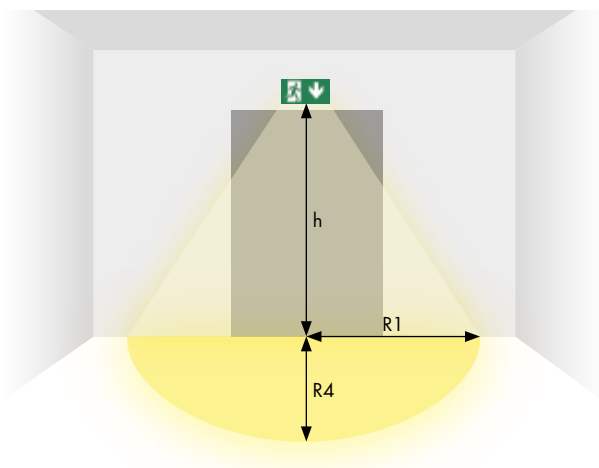
Non-addressable 230 V centrally supplied emergency exit lights

Product code	Nominal supply voltage	Input power	Operating temperature	Electrical installation	Protection class	Weight
TWT9651W	220–240 V 50/60 Hz AC, DC	9.2 VA / 2.9 W	–30...+50°C	3 x 2.5 mm ²	1	1.3 kg

Separately ordered pictograms

Product code	Pictogram	Product description
PB9604E		down arrow
PB9606E		right arrow
PB9605E		left arrow

Light distribution | Downlight chart for exit lights



- 1 and 0.5 lux table below the emergency exit light.
- Level of measurement 0.02 m, measurement result with battery operation.

R1 distance from wall, X axis

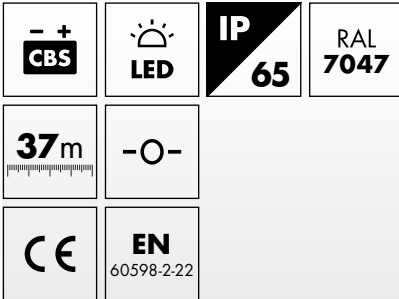
R4 distance from wall, Y axis

TWT9651W, TWT9651WK

Mounting height (m)	Below the light (lx)	R1 (m)	R4 (m)	R1 (m)	R4 (m)
		1 lx	1 lx	0.5 lx	0.5 lx
2	2	1.5	0.5	2	1

Heavy Exit

Centrally supplied
emergency exit light



Durable emergency exit light with aluminium body for demanding conditions

The Teknoware Heavy Exit is a robust emergency exit light for demanding conditions, such as factories, power plants, machine shops, cowsheds and warehouses. The diffuser of the surface-mounted emergency light is made of heat-treated glass, and its aluminium body is mechanically sturdy, long-lasting and durable. The Heavy Exit is highly dust-, water- and chemical-resistant and retains its good qualities even in demanding conditions.

The emergency exit light's IP class is 65. The colour of the product is grey (RAL 7047).



For demanding conditions

Designed for factories, power plants, machine shops, cowsheds and warehouses.

Durable

Sturdy metal body and heat-treated glass diffuser.

Viewing distance

37 metres.

Dustproof and water-resistant

IP 65.



HIGHLIGHTS



DEMANDING
CONDITIONS



PROCESS
ROOM

37 m

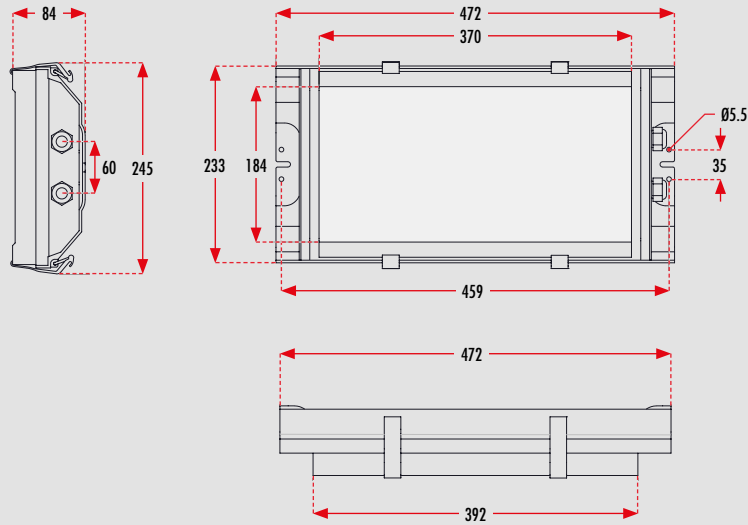
VIEWING DISTANCE



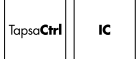
DUSTPROOF AND
WATER-RESISTANT

Dimensions [mm]

Heavy Exit | Luminaire



Addressable 230 V centrally supplied emergency exit lights



Product code	Nominal supply voltage	Input power	Operating temperature	Electrical installation	Protection class	Weight
TWTA951WK	220-240 V 50/60 Hz AC, DC	8.3 VA / 4.6 W	-30...+50°C	3 x 2.5 mm ²	1	4 kg

Separately ordered pictograms

Product code	Pictogram	Product description	Viewing distance
PBVA901		down arrow	37 m
PBVA902		right arrow	37 m
PBVA903		left arrow	37 m
PBVA904		up arrow	37 m

Slimspot II: Zone Lowbay Zone Midbay Zone Highoutput

Centrally supplied emergency light for open areas



Discreet and efficient emergency light that blends seamlessly into the architecture of the space

The Teknoware Slimspot II is an efficient and discreet recess-mounted emergency light. The Slimspot II Zone Lowbay, Zone Midbay and Zone Highoutput emergency lights provide a broad and even light pattern that illuminates open areas efficiently.

Thanks to its compact size, the emergency light blends seamlessly into the architecture of the space. The extensive product and optics range offer several ways to illuminate areas of different types and sizes. The Slimspot II has a durable metal body, and it is designed for indoor use.

The standard colour is white (RAL 9003). Other RAL colours are available upon special order. The Slimspot II includes a luminaire and one electronics unit. The product is fitted with the 900-mm connection cable between the luminaire and the electronic unit.



For open areas

Wide and even light pattern that illuminates open areas efficiently.

Mounting height

up to 10 metres.

Elegant

Minimalist and classic design.

Square or round

Choose the model that suits your needs.

Discreet

Recessed emergency light blends seamlessly into the ceiling.

P models with phase monitoring

The light is also switched on when its own phase monitoring input loses power.



HIGHLIGHTS



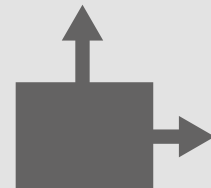
SMALL AND
DISCREET



EXTENSIVE
PRODUCT RANGE



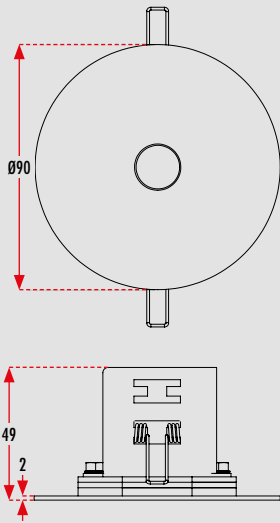
VERSATILE OPTICS



PHASE MONITORING
IN P MODELS

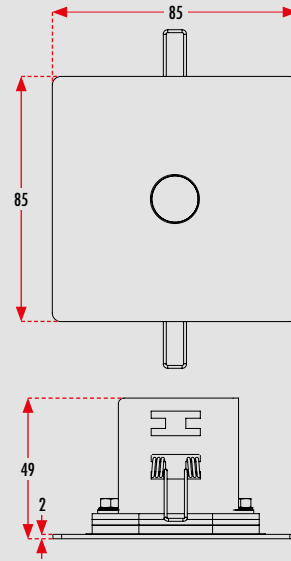
Dimensions [mm]

TWx12/63xxx | Luminaire *

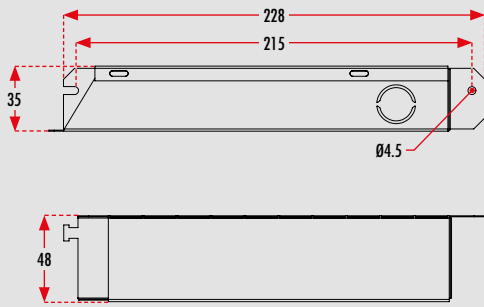


* Aperture \varnothing 75 mm. Mounted with springs that are part of the product.

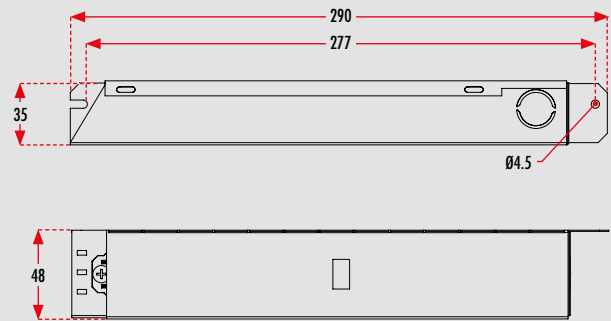
TWxA2/A5xx | Luminaire *



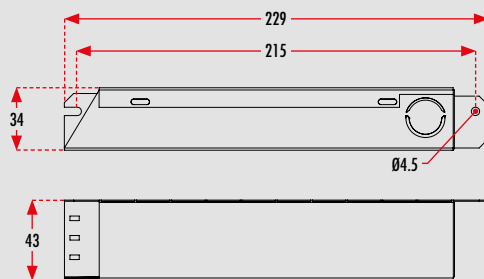
TWTxx41WK | Electronics unit



TWTxx51WK | Electronics unit



TWTxx71W | Electronics unit



Product information on page 112

Centrally supplied luminaires	Shape: round			Shape: square	
	Open space			Open space	
	Lowbay	Midbay	Highoutput	Lowbay	Midbay
24 V – 230 V	TWT6371W	TWT1271W		TWTA271W	TWTA571W
Addressable 24 V	TWT6341WK	TWT1241WK		TWTA241WK	TWTA541WK
Addressable 230 V	TWT6351WK	TWT1251WK		TWTA251WK	TWTA551WK
Addressable 230 V with higher luminous flux			TWT1351WK		
Addressable 230 V with phase monitoring		TWT1251WKP			
Addressable 230 V with phase monitoring and higher luminous flux			TWT1351WKP		

Slimspot II: Zone Lowbay

Addressable 230 V centrally supplied emergency lights



Shape/colour	Product code	Nominal supply voltage	Max. input power	Luminous flux	Operating temperature	Electrical installation	Protection class	Weight
○	TWT6351WK	220–240 V 50/60 Hz AC, DC	10 VA / 5.5 W	280 lm	–30...+50°C	3 x 2.5 mm ²	1	0.4 kg
□	TWTA251WK	220–240 V 50/60 Hz AC, DC	10 VA / 5.5 W	280 lm	–30...+50°C	3 x 2.5 mm ²	1	0.4 kg

Non-addressable 24–230 V centrally supplied emergency lights

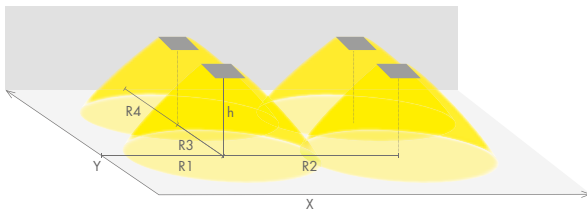
Shape/colour	Product code	Nominal supply voltage	Max. input power	Luminous flux	Operating temperature	Electrical installation	Protection class	Weight
○	TWT6371W	24–230 V 50/60 Hz AC, DC	24 V = 7.5 VA / 4 W 230 V = 11 VA / 4 W	280 lm	–30...+50°C	24 V = 2 x 2.5 mm ² 230 V = 3 x 2.5 mm ²	3 1	0.4 kg
□	TWTA271W	24–230 V 50/60 Hz AC, DC	24 V = 7.5 VA / 4 W 230 V = 11 VA / 4 W	280 lm	–30...+50°C	24 V = 2 x 2.5 mm ² 230 V = 3 x 2.5 mm ²	3 1	0.4 kg

Addressable 24 V centrally supplied emergency lights



Shape/colour	Product code	Nominal supply voltage	Max. input power	Luminous flux	Operating temperature	Electrical installation	Protection class	Weight
○	TWT6341WK	24 V 50/60 Hz AC, DC	3 VA / 3.0 W	280 lm	–30...+50°C	2 x 2.5 mm ²	3	0.4 kg
□	TWTA241WK	24 V 50/60 Hz AC, DC	3 VA / 3.0 W	280 lm	–30...+50°C	2 x 2.5 mm ²	3	0.4 kg

Light distribution | Emergency lighting for open areas (ceiling mounting)



- 0.5 lux table for open areas, in accordance with EN 1838; 0.5-m border zone is taken into account in the table.
- Level of measurement 0.02 m, measurement result in emergency mode.

R1 distance from wall, X axis

R2 mounting distance, X axis

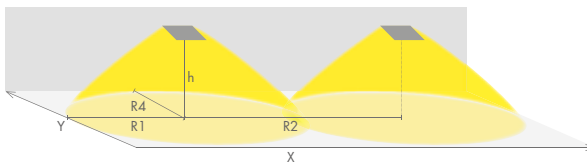
R3 mounting distance, Y axis

R4 distance from wall, Y axis

TWT6351WK, TWTA251WK, TWT6371W, TWTA271W, TWT6341WK, TWTA241WK

Mounting height (m)	Below the light (lx)	R1 (m)	R2 (m)	R3 (m)	R4 (m)
		0.5 lx	0.5 lx	0.5 lx	0.5 lx
2.5	4.3	5.5	10	10	5.5
4	1.9	6	11	11	6
6	1.6	6	11	11	6

Light distribution | Emergency lighting for escape routes (ceiling mounting)



- 1 lux table for the centre line of an escape route, in accordance with EN 1838.
- Level of measurement 0.02 m, measurement results in emergency mode.

R1 distance from wall, X axis

R2 mounting distance, X axis

R4 distance from wall, Y axis

TWT6351WK, TWTA251WK, TWT6371W, TWTA271W, TWT6341WK, TWTA241WK

Mounting height (m)	Below the light (lx)	R1 (m)	R2 (m)	R4 (m)
		1 lx	1 lx	1 lx
2.5	4.3	5	11	1
4	1.7	4	14	1

| NOTE! To illuminate an escape route, we recommend the Slimspot II Line Lowbay; see page 148.

Slimspot II: Zone Midbay

Addressable 230 V centrally supplied emergency lights



Shape/colour	Product code	Nominal supply voltage	Max. input power	Luminous flux	Operating temperature	Electrical installation	Protection class	Weight
○	TWT1251WK *	220–240 V 50/60 Hz AC, DC	10 VA / 5.5W	250 lm	–30...+50°C	3 x 2.5 mm ²	1	0.4 kg
○	TWT1251WKP **/**	220–240 V 50/60 Hz AC, DC	10 VA / 5.5W	250 lm	–30...+50°C	3 x 2.5 mm ²	1	0.4 kg
□	TWTA551WK	220–240 V 50/60 Hz AC, DC	10 VA / 5.5W	250 lm	–30...+50°C	3 x 2.5 mm ²	1	0.4 kg

| * SGS FI certified | ** The luminaire includes local phase control input

Non-addressable 24–230 V centrally supplied emergency lights

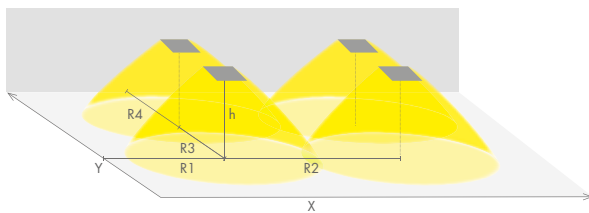
Shape/colour	Product code	Nominal supply voltage	Max. input power	Luminous flux	Operating temperature	Electrical installation	Protection class	Weight
○	TWT1271W	24–230 V 50/60 Hz AC, DC	24 V = 7.5 VA / 4 W 230 V = 11 VA / 4 W	250 lm	–30...+50°C	24 V=2 x 2.5 mm ² 230 V=3 x 2.5 mm ²	3 1	0.4 kg
□	TWTA571W	24–230 V 50/60 Hz AC, DC	24 V = 7.5 VA / 4 W 230 V = 11 VA / 4 W	250 lm	–30...+50°C	24 V = 2 x 2.5 mm ² 230 V = 3 x 2.5 mm ²	3 1	0.4 kg

Addressable 24 V centrally supplied emergency lights



Shape/colour	Product code	Nominal supply voltage	Max. input power	Luminous flux	Operating temperature	Electrical installation	Protection class	Weight
○	TWT1241WK	24 V 50/60 Hz AC, DC	3 VA / 3.0 W	250 lm	–30...+50°C	2 x 2.5 mm ²	3	0.4 kg
□	TWTA541WK	24 V 50/60 Hz AC, DC	3 VA / 3.0 W	250 lm	–30...+50°C	2 x 2.5 mm ²	3	0.4 kg

Light distribution | Emergency lighting for open areas (ceiling mounting)

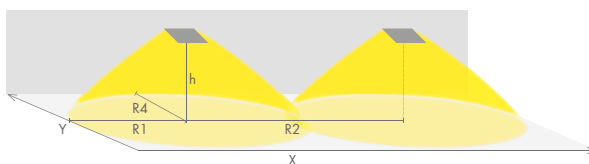


- 0.5 lux table for open areas, in accordance with EN 1838; 0.5-m border zone is taken into account in the table.
 - Level of measurement 0.02 m, measurement result in emergency mode.
- R1** distance from wall, X axis **R3** mounting distance, Y axis
R2 mounting distance, X axis **R4** distance from wall, Y axis

**TWT1251WK, TWT1251WKP, TWTA551WK, TWT1271W
 TWTA571W, TWT1241WK, TWTA541WK**

Mounting height (m)	Below the light (lx)	R1 (m)	R2 (m)	R3 (m)	R4 (m)
		0.5 lx	0.5 lx	0.5 lx	0.5 lx
2.5	25	3	5.5	5.5	3
4	9	3.5	6.5	6.5	3.5
6	4	4.5	8	8	4.5
8	2.5	5	9.5	9.5	5
10	1.5	5	10	10	5

Light distribution | Emergency lighting for escape routes (ceiling mounting)



- 1 lux table for the centre line of an escape route, in accordance with EN 1838.
 - Level of measurement 0.02 m, measurement results in emergency mode.
- R1** distance from wall, X axis
R2 mounting distance, X axis
R4 distance from wall, Y axis

**TWT1251WK, TWT1251WKP, TWTA551WK, TWT1271W
 TWTA571W, TWT1241WK, TWTA541WK**

Mounting height (m)	Below the light (lx)	R1 (m)	R2 (m)	R4 (m)
		1 lx	1 lx	1 lx
2.5	25	2.5	6	1
4	9	3	8	1
6	4	4	9	1
8	2.5	4.5	11	1
10	1.5	3.5	11	1

| NOTE! To illuminate an escape route, we recommend the Slimspot II Line Midbay; see page 149.

Slimspot II: Zone Highoutput

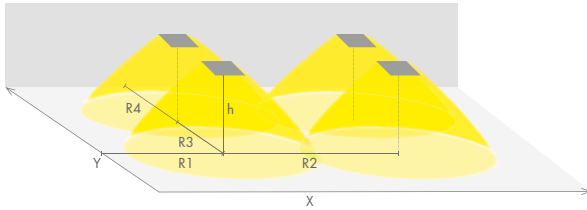
Addressable 230 V centrally supplied emergency lights



Shape/colour	Product code	Nominal supply voltage	Max. input power	Luminous flux	Operating temperature	Electrical installation	Protection class	Weight
○	TWT1351WK	220–240 V 50/60 Hz AC, DC	13 VA / 8.5 W	465 lm	–30...+50°C	3 x 2.5 mm ²	1	0.4 kg
○	TWT1351WKP *	220–240 V 50/60 Hz AC, DC	13 VA / 8.5 W	465 lm	–30...+50°C	3 x 2.5 mm ²	1	0.4 kg

* The luminaire includes local phase control input

Light distribution | Emergency lighting for open areas (ceiling mounting)



- 0.5 lux table for open areas, in accordance with EN 1838; 0.5-m border zone is taken into account in the table.
- Level of measurement 0.02 m, measurement result in emergency mode.

R1 distance from wall, X axis

R2 mounting distance, X axis

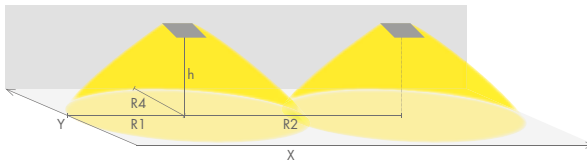
R3 mounting distance, Y axis

R4 distance from wall, Y axis

TWT1351WK, TWT1351WKP

Mounting height (m)	Below the light (lx)	R1 (m)	R2 (m)	R3 (m)	R4 (m)
		0.5 lx	0.5 lx	0.5 lx	0.5 lx
2.5	20	4.5	8.5	8.5	4.5
3	14	5	9.5	9.5	5
4	8	5	9.5	9.5	5
6	4	5.5	10.5	10.5	5.5
8	3	6	11.5	11.5	6
10	2	6	11.5	11.5	6

Light distribution | Emergency lighting for escape routes (ceiling mounting)



- 1 lux table for the centre line of an escape route, in accordance with EN 1838.
- Level of measurement 0.02 m, measurement results in emergency mode.

R1 distance from wall, X axis

R2 mounting distance, X axis

R4 distance from wall, Y axis

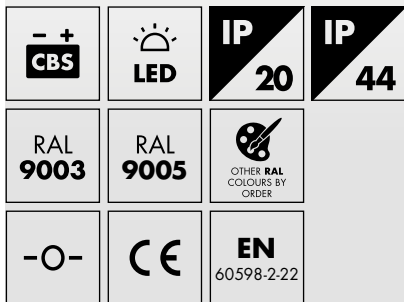
TWT1351WK, TWT1351WKP

Mounting height (m)	Below the light (lx)	R1 (m)	R2 (m)	R4 (m)
		1 lx	1 lx	1 lx
2.5	20	4.5	9	1
3	14	4.5	9.5	1
4	8	5.5	11	1
6	4	6	12	1
8	3	6	12	1



Zonespot II: Lowbay Midbay Highbay

Centrally supplied emergency light for open areas



Emergency light for open areas, suitable for surface or recess mounting

The Teknoware Zonespot II Lowbay and Midbay emergency lights provide a broad and even light pattern that illuminates open areas efficiently. Their efficient optics enable mounting heights of up to 30 metres. The Zonespot II is available in two models: square for surface mounting and round for recess mounting.

The square surface-mounted model has IP44 rating, making it splash-resistant.

Thanks to its compact size, the round recess-mounted model blends seamlessly into the architecture of the space. The visible parts of the recess-mounted model are also IP44 when equipped with an additional gasket. The aperture for recess mounting is 75 mm.

The standard colour of the recess-mounted model is white (RAL 9003). The surface-mounted model is also available in black (RAL 9005). Other RAL colours are available upon special order.



For open areas

Wide and even light pattern that illuminates open areas efficiently.

The mounting method determines the shape

The square model is always surface-mounted and the round model is recess-mounted.

Long mounting distances

Up to 20 metres spacing between luminaires.

Mounting height

up to 30 metres.

Splash-resistant

The IP rating of the surface-mounted emergency light is IP44. The visible parts of the recess-mounted model are also IP44 rated when equipped with an additional gasket (TMT389).



HIGHLIGHTS



MOUNTING
DISTANCE



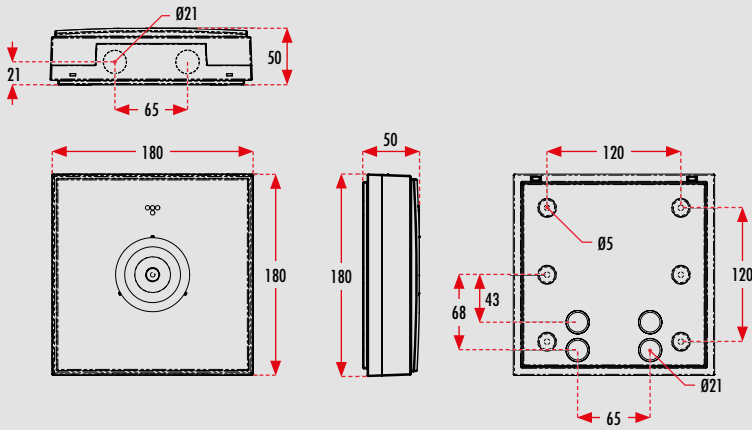
MOUNTING
HEIGHT



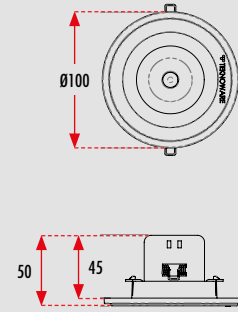
SPLASH-RESISTANT *

Dimensions [mm]

Zonespot II | Surface-mounted emergency light

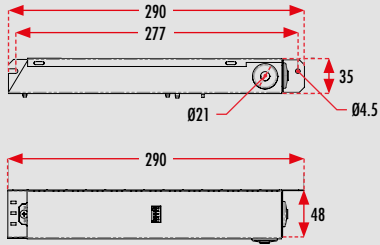


Zonespot II | Recess-mounted emergency light*

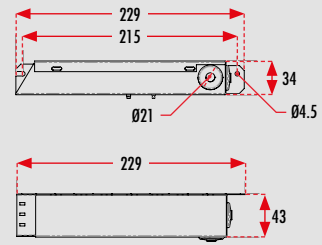


* Aperture Ø 75 mm. Mounted with springs that are part of the product.

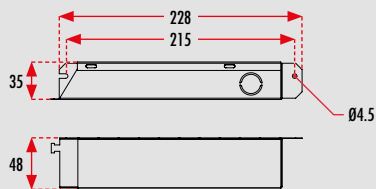
TWT0451WK | Electronics unit



TWT0471W | Electronics unit



TWT0441WK | Electronics unit



Product information on page 118

Zonespot II: Lowbay



Addressable 230 V centrally supplied emergency lights

Shape/colour	Mounting	Product code	Nominal supply voltage	Max. input power	Luminous flux	Operating temperature	Electrical installation	Protection class	Weight
○	Recess	TWT0451WK	220–240 V 50/60 Hz AC, DC	10 VA / 5.5 W	280 lm	–30...+50°C	3 x 2.5 mm ²	1	0.4 kg
□	Surface	TWT9251WK	220–240 V 50/60 Hz AC, DC	10 VA / 5.5 W	255 lm	–30...+50°C	2/3 x 2.5 mm ²	2	0.5 kg
■	Surface	TWT9251WKT	220–240 V 50/60 Hz AC, DC	10 VA / 5.5 W	255 lm	–30...+50°C	2/3 x 2.5 mm ²	2	0.5 kg

Non-addressable 24–230 V centrally supplied emergency lights

Shape/colour	Mounting	Product code	Nominal supply voltage	Max. input power	Luminous flux	Operating temperature	Electrical installation	Protection class	Weight
○	Recess	TWT0471W	24–230 V 50/60 Hz AC, DC	24 V = 7.5 VA / 4 W 230 V = 11 VA / 4 W	280 lm	–30...+50°C	24 V = 2 x 2.5 mm ² 230 V = 3 x 2.5 mm ²	3 1	0.4 kg
□	Surface	TWT9271W	24–230 V 50/60 Hz AC, DC	24 V = 8 VA / 5 W 230 V = 10 VA / 5 W	255 lm	–30...+50°C	24 V = 2 x 2.5 mm ² 230 V = 3 x 2.5 mm ²	3 2	0.5 kg
■	Surface	TWT9271WT	24–230 V 50/60 Hz AC, DC	24 V = 8 VA / 5 W 230 V = 10 VA / 5 W	255 lm	–30...+50°C	24 V = 2 x 2.5 mm ² 230 V = 3 x 2.5 mm ²	3 2	0.5 kg

Addressable 24 V centrally supplied emergency lights



Shape/colour	Mounting	Product code	Nominal supply voltage	Max. input power	Luminous flux	Operating temperature	Electrical installation	Protection class	Weight
○	Recess	TWT0441WK	24 V 50/60 Hz AC, DC	3 VA / 3 W	280 lm	–30...+50°C	3 x 2.5 mm ²	3	0.4 kg
□	Surface	TWT9241WK	24 V 50/60 Hz AC, DC	3.1 VA / 3.1 W	255 lm	–30...+50°C	2/3 x 2.5 mm ²	3	0.5 kg
■	Surface	TWT9241WKT	24 V 50/60 Hz AC, DC	3.1 VA / 3.1 W	255 lm	–30...+50°C	2/3 x 2.5 mm ²	3	0.5 kg

Individually packed addressable 230 V centrally supplied emergency lights

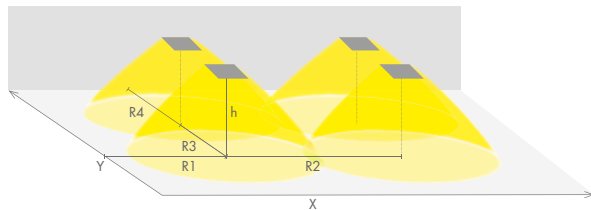
Shape/colour	Mounting	Product code	Luminaire
○	Recess	Y0451WK	TWT0451WK
□	Surface	Y9251WK	TWT9251WK

Individually packaged non-addressable 24–230 V centrally supplied emergency lights

Shape/colour	Mounting	Product code	Luminaire
○	Recess	Y0471W	TWT0471W
□	Surface	Y9271W	TWT9271W

Zonespot II: Lowbay

Light distribution | Emergency lighting for open areas (ceiling mounting)

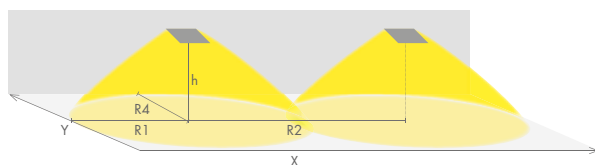


- 0.5 lux table for open areas, in accordance with EN 1838; 0.5-m border zone is taken into account in the table.
 - Level of measurement 0.02 m, measurement result in emergency mode.
- R1** distance from wall, X axis
R2 mounting distance, X axis
R3 mounting distance, Y axis
R4 distance from wall, Y axis

TWT9271W(T), TWT9251WK(T), TWT0451WK, TWT0471W, TWT9241WK(T), TWT0441WK

Mounting height (m)	Below the light (lx)	R1 (m)	R2 (m)	R3 (m)	R4 (m)
	0.5 lx	0.5 lx	0.5 lx	0.5 lx	0.5 lx
2.5	4.3	5.5	10	10	5.5
4	1.9	6	11	11	6
6	1.6	6	11	11	6

Light distribution | Emergency lighting for escape routes (ceiling mounting)



- 1 lux table for the centre line of an escape route, in accordance with EN 1838.
 - Level of measurement 0.02 m, measurement results in emergency mode.
- R1** distance from wall, X axis
R2 mounting distance, X axis
R4 distance from wall, Y axis

TWT9271W(T), TWT9251WK(T), TWT0451WK, TWT0471W, TWT9241WK(T), TWT0441WK

Mounting height (m)	Below the light (lx)	R1 (m)	R2 (m)	R4 (m)
	1 lx	1 lx	1 lx	1 lx
2.5	4.3	5	11	1
4	1.7	4	14	1

NOTE! To illuminate an escape route, we recommend the Linespot II Lowbay; see page 152.

Zonespot II: Midbay

Addressable 230 V centrally supplied emergency lights



Shape/colour	Mounting	Product code	Nominal supply voltage	Max. input power	Luminous flux	Operating temperature	Electrical installation	Protection class	Weight
□	Surface	TWT9351WK	220–240 V 50/60 Hz AC, DC	10 VA / 5.5 W	230 lm	–30...+50°C	2/3 x 2.5 mm ²	2	0.5 kg
■	Surface	TWT9351WKT	220–240 V 50/60 Hz AC, DC	10 VA / 5.5 W	230 lm	–30...+50°C	2/3 x 2.5 mm ²	2	0.5 kg
□	Surface	TWT9356WK *	220–240 V 50/60 Hz AC, DC	22 VA / 12 W	500 lm	–30...+50°C	2/3 x 2.5 mm ²	2	0.5 kg
■	Surface	TWT9356WKT	220–240 V 50/60 Hz AC, DC	22 VA / 12 W	500 lm	–30...+50°C	2/3 x 2.5 mm ²	2	0.5 kg

* SGS FI certified

Non-addressable 24– 230 V centrally supplied emergency lights

Shape/colour	Mounting	Product code	Nominal supply voltage	Max. input power	Luminous flux	Operating temperature	Electrical installation	Protection class	Weight
□	Surface	TWT9371W	24–230 V 50/60 Hz AC, DC	24 V = 8 VA / 5 W 230 V = 10 VA / 5 W	230 lm	–30...+50°C	24 V = 2 x 2.5 mm ² 230 V = 3 x 2.5 mm ²	3 2	0.5 kg
■	Surface	TWT9371WT	24–230 V 50/60 Hz AC, DC	24 V = 8 VA / 5 W 230 V = 10 VA / 5 W	230 lm	–30...+50°C	24 V = 2 x 2.5 mm ² 230 V = 3 x 2.5 mm ²	3 2	0.5 kg

Addressable 24 V centrally supplied emergency lights



Shape/colour	Mounting	Product code	Nominal supply voltage	Max. input power	Luminous flux	Operating temperature	Electrical installation	Protection class	Weight
□	Surface	TWT9341WK	24 V 50/60 Hz AC, DC	3.1 VA / 3.1 W	230 lm	–30...+50°C	2/3 x 2.5 mm ²	3	0.5 kg
■	Surface	TWT9341WKT	24 V 50/60 Hz AC, DC	3.1 VA / 3.1 W	230 lm	–30...+50°C	2/3 x 2.5 mm ²	3	0.5 kg

Individually packed addressable 230 V centrally supplied emergency lights

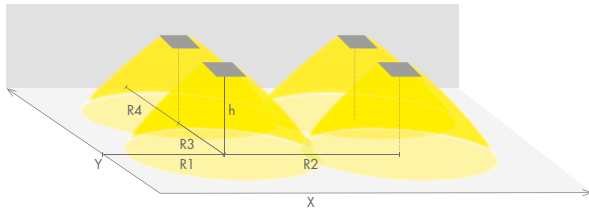
Shape/colour	Mounting	Product code	Luminaire
□	Surface	Y9351WK	TWT9351WK
□	Surface	Y9356WK	TWT9356WK

Individually packaged non-addressable 24–230 V centrally supplied emergency lights

Shape/colour	Mounting	Product code	Luminaire
□	Surface	Y9371W	TWT9371W

Zonespot II: Midbay

Light distribution | Emergency lighting for open areas (ceiling mounting)



- 0.5 lux table for open areas, in accordance with EN 1838; 0.5-m border zone is taken into account in the table.
 - Level of measurement 0.02 m, measurement result in emergency mode.
- R1** distance from wall, X axis
R2 mounting distance, X axis
R3 mounting distance, Y axis
R4 distance from wall, Y axis

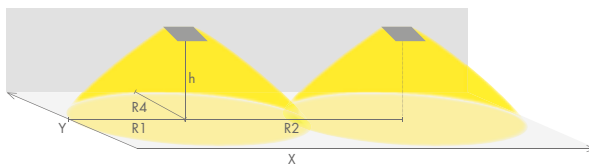
TWT9371W(T), TWT9351WK(T), TWT9341WK(T)

Mounting height (m)	Below the light (lx)	R1 (m)	R2 (m)	R3 (m)	R4 (m)
		0.5 lx	0.5 lx	0.5 lx	0.5 lx
2.5	25	3	5,5	5,5	3
4	9	3.5	6,5	6,5	3.5
6	4	4.5	8	8	4.5
8	2.5	5	9.5	9.5	5
10	1.5	5	10	10	5

TWT9356WK(T)

Mounting height (m)	Below the light (lx)	R1 (m)	R2 (m)	R3 (m)	R4 (m)
		0.5 lx	0.5 lx	0.5 lx	0.5 lx
3	36	4.5	8	8	4.5
4	21	5	9	9	5
6	11	6.5	12	12	6.5
8	5	7.5	14	14	7.5
10	3	8.5	16	16	8.5
12	2.5	9.5	18	18	9.5
14	1.8	10.5	20	20	10.5

Light distribution | Emergency lighting for escape routes (ceiling mounting)



- 1 lux table for the centre line of an escape route, in accordance with EN 1838.
 - Level of measurement 0.02 m, measurement results in emergency mode.
- R1** distance from wall, X axis
R2 mounting distance, X axis
R4 distance from wall, Y axis

TWT9371W(T), TWT9351WK(T), TWT9341WK(T)

Mounting height (m)	Below the light (lx)	R1 (m)	R2 (m)	R4 (m)
		1 lx	1 lx	1 lx
2.5	25	2.5	6	1
4	9	3	8	1
6	4	4	9	1
8	2.5	4.5	11	1
10	1.5	3.5	11	1

NOTE! To illuminate an escape route, we recommend the Linespot II Midbay; see page 153.

Zonespot II: Highbay

Addressable 230 V centrally supplied emergency lights



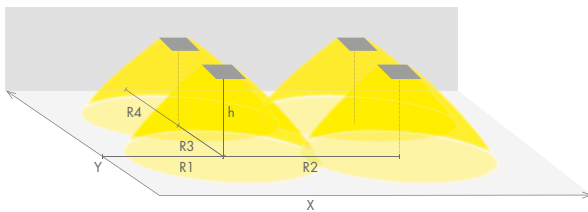
Shape/colour	Mounting	Product code	Nominal supply voltage	Max. input power	Luminous flux	Operating temperature	Electrical installation	Protection class	Weight
□	Surface	TWT8456WK *	220–240 V 50/60 Hz AC, DC	22 VA / 12 W	515	–30...+50°C	2/3 x 2.5 mm ²	2	0.5 kg
■	Surface	TWT8456WKT	220–240 V 50/60 Hz AC, DC	22 VA / 12 W	515	–30...+50°C	2/3 x 2.5 mm ²	2	0.5 kg

* SGS FI certified

Individually packed addressable 230 V centrally supplied emergency lights

Shape/colour	Mounting	Product code	Luminaire
□	Surface	Y8456WK	TWT8456WK

Light distribution | Emergency lighting for open areas (ceiling mounting)



- 0.5 lux table for open areas, in accordance with EN 1838; 0.5-m border zone is taken into account in the table.
- Level of measurement 0.02 m, measurement result in emergency mode.

R1 distance from wall, X axis

R2 mounting distance, X axis

R3 mounting distance, Y axis

R4 distance from wall, Y axis

TWT8456WK(T)

Mounting height (m)	Below the light (lx)	R1 (m)	R2 (m)	R3 (m)	R4 (m)
		0.5 lx	0.5 lx	0.5 lx	0.5 lx
6	24	5	10	10	5
8	13	5.5	11	11	5.5
10	8	5.5	11.5	11.5	5.5
12	6	6	12	12	6
14	4	6.5	13	13	6.5
16	3	7	14	14	7
18	2.5	5.5	16	16	5.5
20	2	5.5	17	17	5.5
26	1.4	6	18	18	6
30	1	6	18	18	6

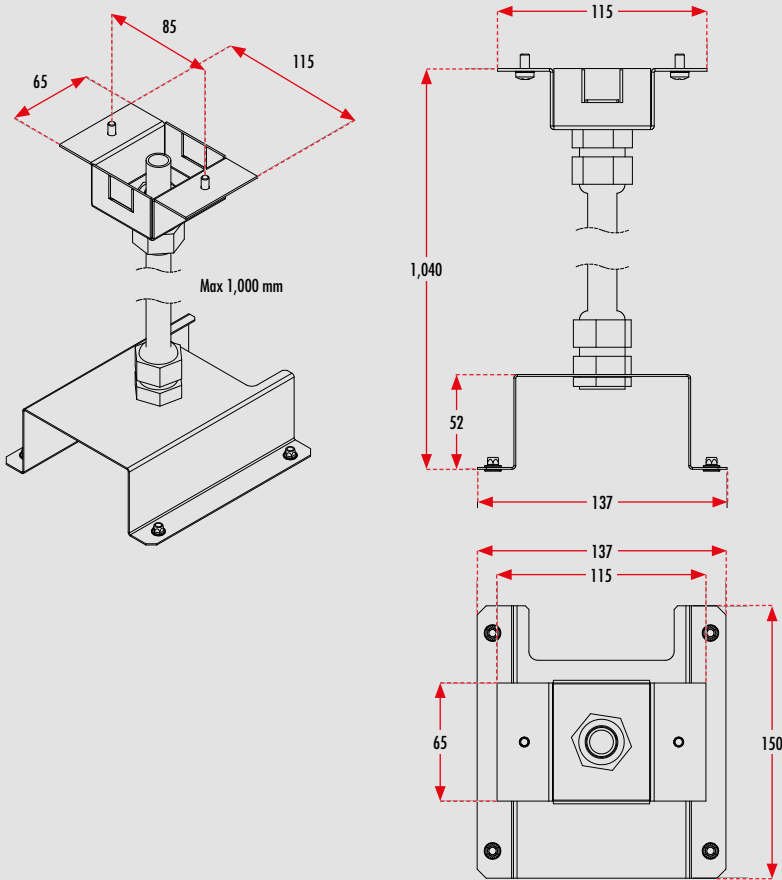
Zonespot II

Accessories

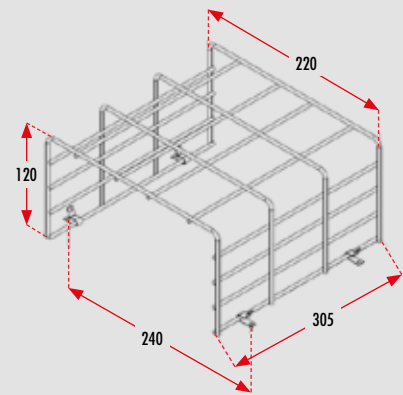
Product code	Product description
TW77504F	Suspension bracket (surface-mounted model)
TW77504FM	Suspension bracket, black (surface-mounted model)
TW77508B	Shock protecting cover (surface-mounted model)
TMT389	Gasket ring (recess-mounted model)
TWT9202	Wall bracket (surface-mounted model)
TWT9202M	Wall bracket, black (surface-mounted model)

Dimensions [mm]

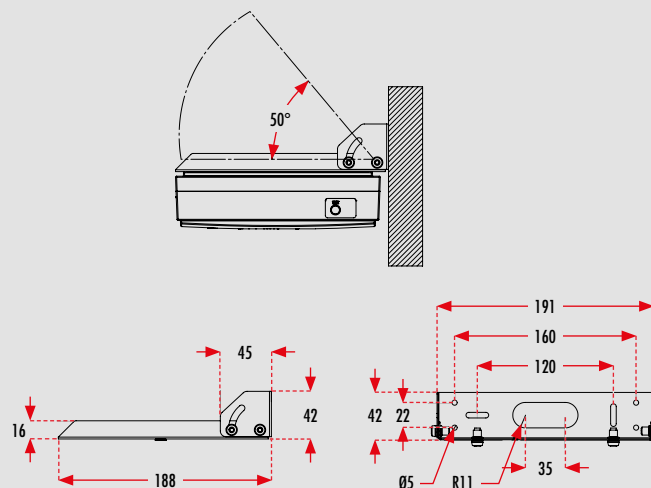
TW77504F(M) | Suspension bracket



TW77508B | Shock protecting cover







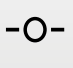




TWT9202(M) | Wall bracket



Easy: Combo

Centrally supplied emergency light for open areas or emergency exit light

A combination luminaire that can be used either as an emergency light or as an emergency exit light.

When fitted with the rotatable pictogram, the Easy Combo can show the direction arrow pointing up, down, left or right. When using the Combo as an emergency exit light, the ceiling mounting requires a separate ceiling bracket (TWTB104). Without the pictogram, the Combo works as an emergency light.

Thanks to its practical design, the Easy Combo can be easily surface or recess mounted – ceiling, suspension and flag mounting is available with a separate bracket. The standard colour is white (RAL 9003), other RAL colours are available upon special order. The Easy product family is an ideal choice when you want a single fixture for your entire property's emergency lighting needs.



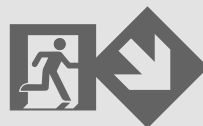
- Dust- and water-resistant ***
 The frame is made from strong plastic, and the luminaire is IP40 rated (* IP54 with a separate gasket).
- Easy to install**
 Surface or semi-recessed mounting as standard. Ceiling, recess, suspension and flag mounting with a separate bracket / frame.
- Combination luminaire**
 Can be used either as an emergency light or as an emergency exit light.
- Cost-effective**
 Emergency lighting for the entire property with one fixture.
- Versatile pictograms**
 The rotatable sign enables choosing the direction of the emergency exit light. When the Easy Combo is used as an emergency light, the pictogram is not required.



HIGHLIGHTS



MULTI-PURPOSE



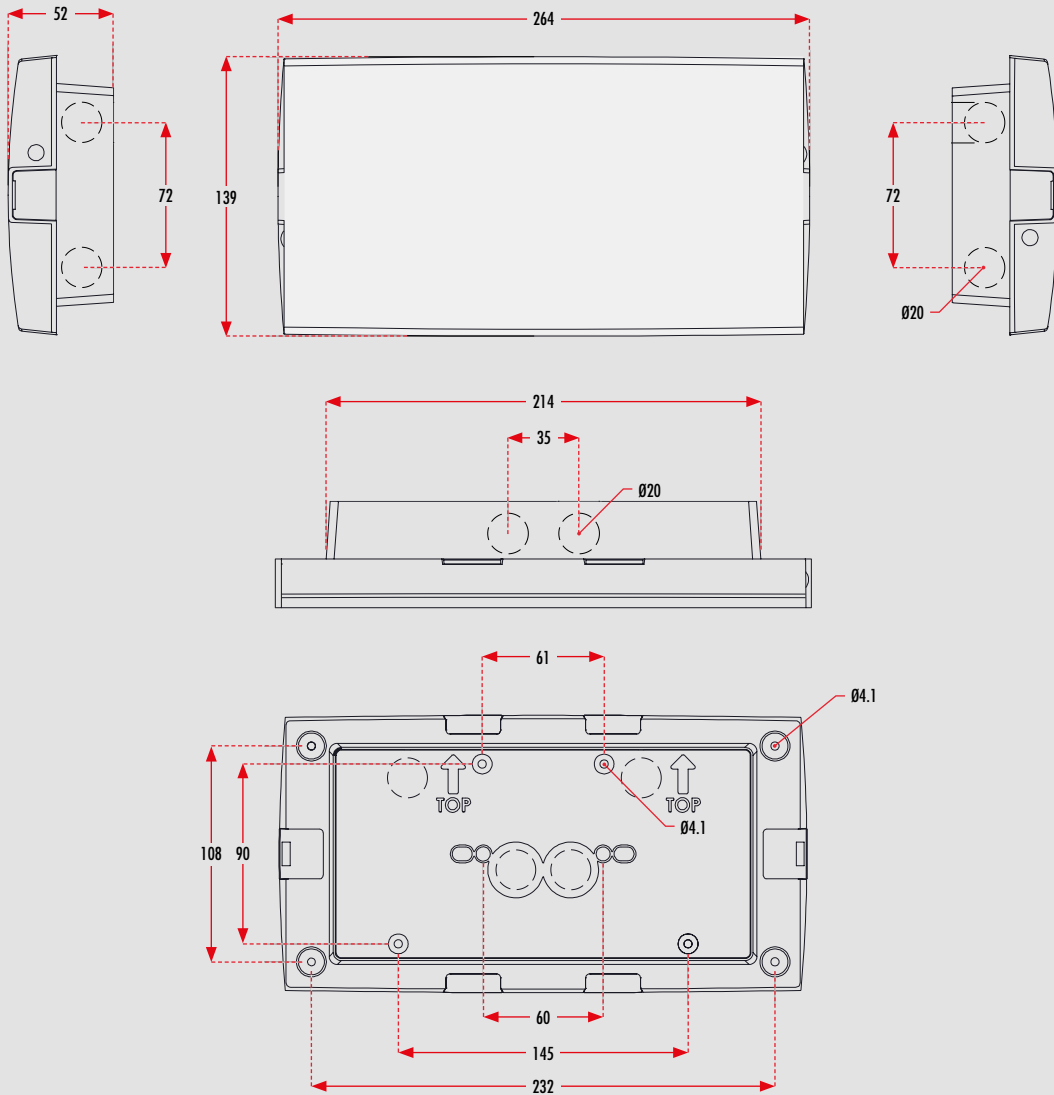
ADJUSTABLE
PICTOGRAMS

25_m

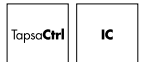
VIEWING DISTANCE

Dimensions [mm]

Easy Combo | Luminaire



Addressable 230 V centrally supplied combination lights



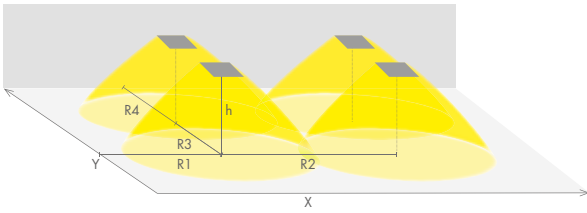
Product code	Nominal supply voltage	Max. input power	Luminous flux	Operating temperature	Electrical installation	Protection class	Weight
TWTB151WK	220–240 V 50/60 Hz AC, DC	5.7 VA / 3.4 W	170 lm	–30...+50°C	2/3 x 2.5 mm ²	2	0.55 kg

Non-addressable 230 V centrally supplied combination lights

Product code	Nominal supply voltage	Max. input power	Luminous flux	Operating temperature	Electrical installation	Protection class	Weight
TWTB171W	220–230 V 50/60 Hz AC, DC	24 V = 3.2 VA / 2.2 W 230 V = 5.4 VA / 2.3 W	170 lm	–30...+50°C	24 V = 2 x 2.5mm ² 230 V = 2/3 x 2.5mm ²	3 2	0.55 kg

Easy: Combo

Light distribution | Emergency lighting for open areas (ceiling mounting)



- 0.5 lux table for open areas, in accordance with EN 1838; 0.5-m border zone is taken into account in the table.
- Level of measurement 0.02 m, measurement result in emergency mode.

R1 distance from wall, X axis

R2 mounting distance, X axis

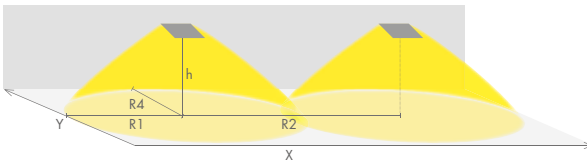
R3 mounting distance, Y axis

R4 distance from wall, Y axis

YB151WK120, YB171W120

Mounting height (m)	Below the light (lx)	R1 (m)	R2 (m)	R3 (m)	R4 (m)
		0.5 lx	0.5 lx	0.5 lx	0.5 lx
2.5	7	3.5	7	7	3.5
3	5	3.5	7	7	3.5
4	2.5	3.5	7.5	7.5	3.5
6	1.2	4	8	8	4

Light distribution | Emergency lighting for escape routes (ceiling mounting)



- 1 lux table for the centre line of an escape route, in accordance with EN 1838.
- Level of measurement 0.02 m, measurement results in emergency mode.

R1 distance from wall, X axis

R2 mounting distance, X axis

R4 distance from wall, Y axis

YB151WK120, YB171W120

Mounting height (m)	Below the light (lx)	R1 (m)	R2 (m)	R4 (m)
		1 lx	1 lx	1 lx
2.5	7	3	8	1
3	5	3	8.5	1
4	2.5	3	9.5	1

Accessories

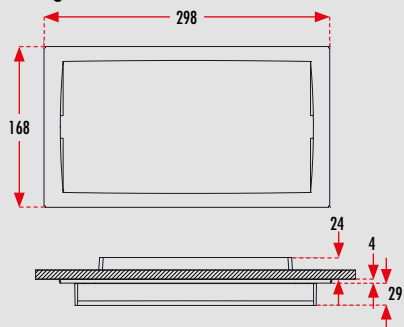
Product code	Product description
TWTB101	Recess mounting frame
TWTB103	Flag bracket
TWTB104	Ceiling bracket
TWTB105	Suspension bracket
TW77508B	Shock protecting cover
TWTB110	IP54 gasket

Easy: Combo

Accessories

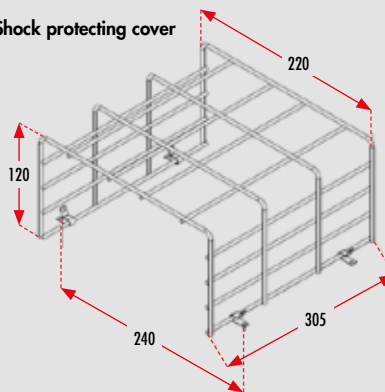
Dimensions [mm]

TWTB101 | Recess mounting frame

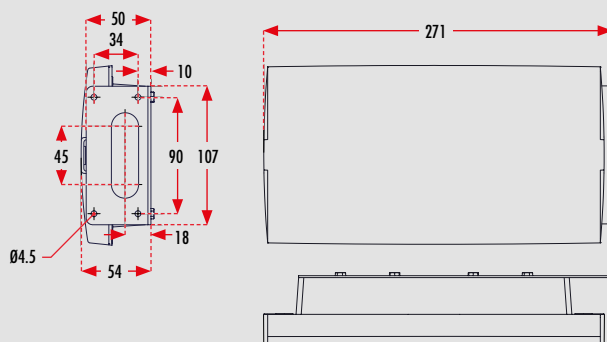


* Aperture for recess mounting 215 mm x 111 mm.

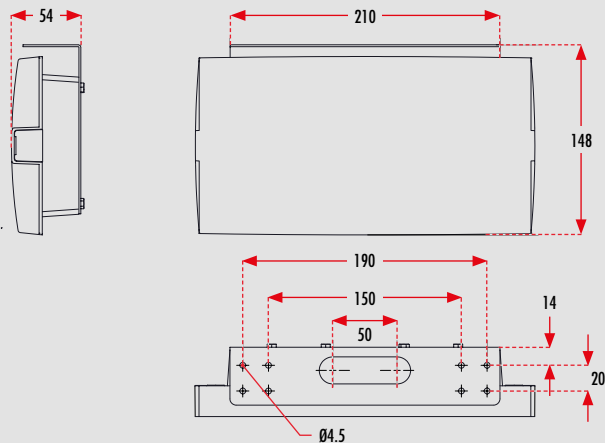
TW77508B | Shock protecting cover



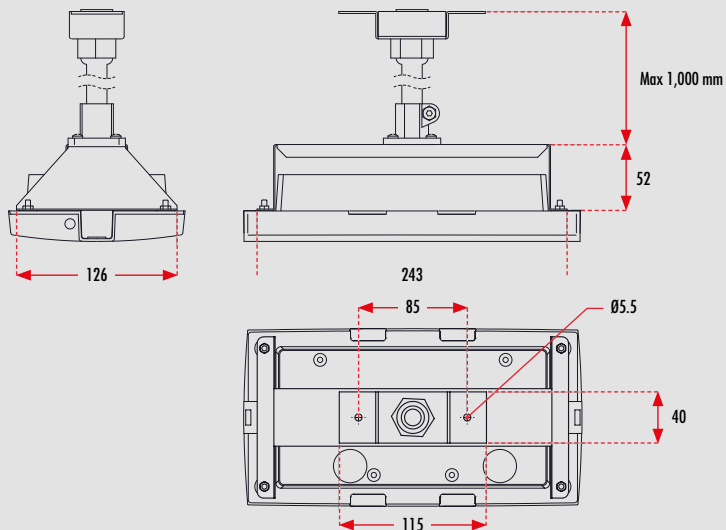
TWTB103 | Flag bracket



TWTB104 | Ceiling bracket



TWTB105 | Suspension bracket



Solid:

Zone Lowbay

Zone Midbay

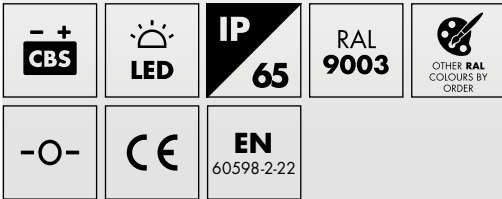
Zone Highbay

Centrally supplied emergency light for open areas

Durable emergency light for industrial sites and parking halls

The Teknoware Solid is a fully dustproof and water-resistant IP65-rated emergency light. It is suitable for demanding conditions, such as industrial facilities and parking halls, and for outdoor use.

The Solid Zone Lowbay, Midbay and Highbay emergency lights provide a broad and even light pattern that illuminates open areas efficiently. The emergency light can be mounted at up to 30 metres. The standard colour is white (RAL 9003), other RAL colours are available upon special order.



- **For open areas**
Wide and even light pattern that illuminates open areas efficiently.
- **Dustproof and water-resistant**
IP 65.
- **Mounting height**
up to 30 metres.
- **For demanding conditions**
Industrial facilities, parking halls and outdoor use.



HIGHLIGHTS



DEMANDING
CONDITIONS



VERSATILE OPTICS

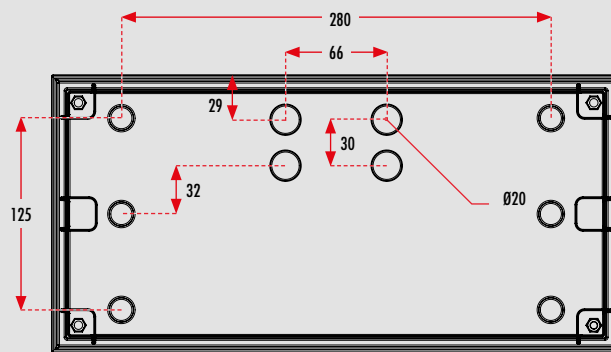
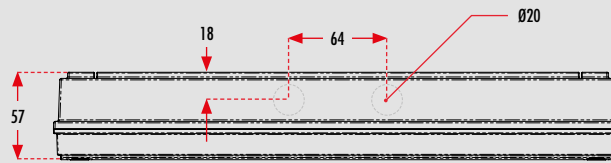
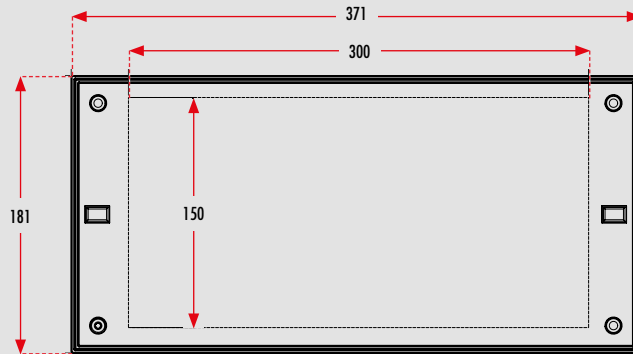


INDOOR AND
OUTDOOR USE



DUSTPROOF AND
WATER-RESISTANT

Solid | Luminaire



Product
information
on page 130

Solid: Zone Lowbay

Addressable 230 V centrally supplied emergency lights



Product code	Nominal supply voltage	Max. input power	Luminous flux	Operating temperature	Electrical installation	Protection class	Weight
TWT3251WK	220–240 V 50/60 Hz AC, DC	14 VA / 8.5 W	550 lm	–30...+50°C	2/3 x 2.5 mm ²	2	1.1 kg

Non-addressable 24–230 V centrally supplied emergency lights

Product code	Nominal supply voltage	Max. input power	Luminous flux	Operating temperature	Electrical installation	Protection class	Weight
TWT3271W	24–230 V 50/60 Hz AC, DC	24 V = 7.8 VA / 5.5 W 230 V = 14.5 VA / 6.5 W	550 lm	–30...+50°C	24 V = 2 x 2.5 mm ² 230 V = 3 x 2.5 mm ²	3 2	1.1 kg

Addressable 24 V centrally supplied emergency lights



Product code	Nominal supply voltage	Max. input power	Luminous flux	Operating temperature	Electrical installation	Protection class	Weight
TWT3241WK	24 V 50/60 Hz AC, DC	5.6 VA / 5.6 W	550 lm	–30...+50°C	2/3 x 2.5 mm ²	3	1.1 kg

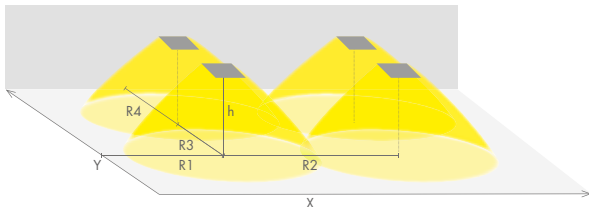
Individually packed addressable 230 V centrally supplied emergency lights

Product code	Luminaire
Y3251WK	TWT3251WK

Individually packaged non-addressable 24–230 V centrally supplied emergency lights

Product code	Luminaire
Y3271W	TWT3271W

Light distribution | Emergency lighting for open areas (ceiling mounting)



- 0.5 lux table for open areas, in accordance with EN 1838; 0.5-m border zone is taken into account in the table.
 - Level of measurement 0.02 m, measurement result in emergency mode.
- R1** distance from wall, X axis
R2 mounting distance, X axis
R3 mounting distance, Y axis
R4 distance from wall, Y axis

TWT3271W, TWT3251WK, TWT3241WK

Mounting height (m)	Below the light (lx)	R1 (m)	R2 (m)	R3 (m)	R4 (m)
		0.5 lx	0.5 lx	0.5 lx	0.5 lx
2.5	12	6.5	12	12	6.5
3	8	7	13.5	13.5	7
4	4	7.5	15	15	7.5
6	2.5	9	16	16	9
8	2	9	17	17	9

Solid: Zone Midbay

Addressable 230 V centrally supplied emergency lights



Product code	Nominal supply voltage	Max. input power	Luminous flux	Operating temperature	Electrical installation	Protection class	Weight
TWT3651WK	220–240 V 50/60 Hz AC, DC	14 VA / 8.5 W	600 lm	–30...+50°C	2/3 x 2.5 mm ²	2	1.1 kg
TWT3751WK	220–240V 50/60 Hz AC, DC	15.7 VA / 14.1 W	1,600 lm	–30...+40°C	3 x 2.5 mm ²	1	1.1 kg

Non-addressable 24–230 V centrally supplied emergency lights

Product code	Nominal supply voltage	Max. input power	Luminous flux	Operating temperature	Electrical installation	Protection class	Weight
TWT3671W	24–230 V 50/60 Hz AC, DC	24 V = 7.8 VA / 5.5 W 230 V = 14.5 VA / 6.5 W	600 lm	–30... +50°C	24 V = 2 x 2.5 mm ² 230 V = 3 x 2.5 mm ²	3 2	1.1 kg

Addressable 24 V centrally supplied emergency lights



Product code	Nominal supply voltage	Max. input power	Luminous flux	Operating temperature	Electrical installation	Protection class	Weight
TWT3641WK	24 V 50/60 Hz AC, DC	5.6 VA / 5.6 W	600 lm	–30... +50°C	2/3 x 2.5 mm ²	3	1.1 kg

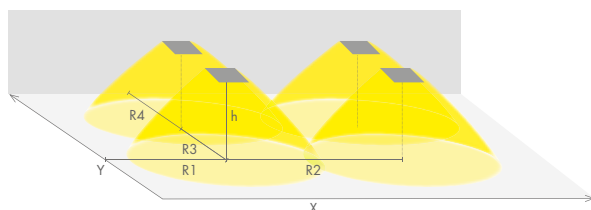
Individually packed addressable 230 V centrally supplied emergency lights

Product code	Luminaire
Y3651WK	TWT3651WK

Individually packaged non-addressable 24–230 V centrally supplied emergency lights

Product code	Luminaire
Y3671W	TWT3671W

Light distribution | Emergency lighting for open areas (ceiling mounting)



- 0.5 lux table for open areas, in accordance with EN 1838; 0.5-m border zone is taken into account in the table.
- Level of measurement 0.02 m, measurement result in emergency mode.

R1 distance from wall, X axis

R2 mounting distance, X axis

R3 mounting distance, Y axis

R4 distance from wall, Y axis

TWT3671W, TWT3651WK, TWT3641WK

Mounting height (m)	Below the light (lx)	R1 (m)	R2 (m)	R3 (m)	R4 (m)
		0.5 lx	0.5 lx	0.5 lx	0.5 lx
4	35	5.5	10	10	5.5
6	15	6.5	12.5	12.5	6.5
8	8	7.5	14.5	14.5	7.5
10	5	7.5	15	15	7.5
12	3.5	8	16	16	8
14	2.5	8.5	17	17	8.5
16	2	8.5	18	18	8.5
18	1.5	8.5	17.5	17.5	8.5

TWT3751WK

Mounting height (m)	Below the light (lx)	R1 (m)	R2 (m)	R3 (m)	R4 (m)
		0.5 lx	0.5 lx	0.5 lx	0.5 lx
3	60	6	12	12	6
4	34	6.5	13	13	6.5
6	15	7.5	15	15	7.5
8	8	8.5	17	17	8.5
10	5	9.5	19	19	9.5
12	4	10	20	20	10
14	3.5	10.5	21	21	10.5
16	2.5	11	22	22	11
18	2	11.5	23	23	11.5
20	1.5	12	24	24	12.5

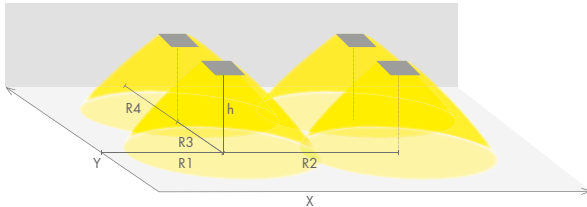
Solid: Zone Highbay

Addressable 230 V centrally supplied emergency lights



Product code	Nominal supply voltage	Max. input power	Luminous flux	Operating temperature	Electrical installation	Protection class	Weight
TWT3756WK	220–240 V 50/60 Hz AC, DC	33.5 VA / 30 W	2,500 lm	–30...+40°C	3 x 2.5 mm ²	1	1.1 kg

Light distribution | Emergency lighting for open areas (ceiling mounting)



- 0.5 lux table for open areas, in accordance with EN 1838; 0.5-m border zone is taken into account in the table.
- Level of measurement 0.02 m, measurement result in emergency mode.

R1 distance from wall, X axis

R2 mounting distance, X axis

R3 mounting distance, Y axis

R4 distance from wall, Y axis

TWT3756WK

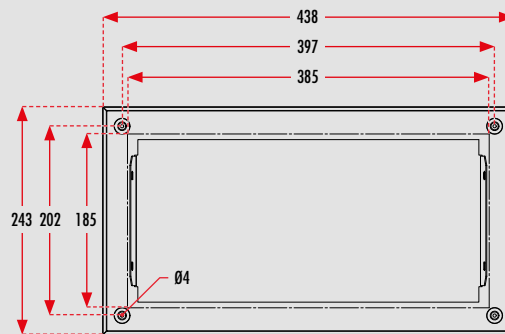
Mounting height (m)	Below the light (lx)	R1 (m)	R2 (m)	R3 (m)	R4 (m)
		0.5 lx	0.5 lx	0.5 lx	0.5 lx
3	72	7	14	14	7
4	41	7.5	15	15	7.5
5	18	9	18	18	9
8	11	10	20	20	10
10	7	10.5	21	21	10.5
12	5	11	22	22	11
14	3.5	11.5	23	23	11.5
16	3	12	24	24	12
18	2.5	12.5	25	25	12.5
20	2	12.5	25	25	12.5
30	1	12.5	25	25	12.5

Accessories

Product code	Product description
TWT3001	Recess mounting frame
TWT3002	Wall bracket
TWT3006	Suspension bracket
TWT3007	Protective cover

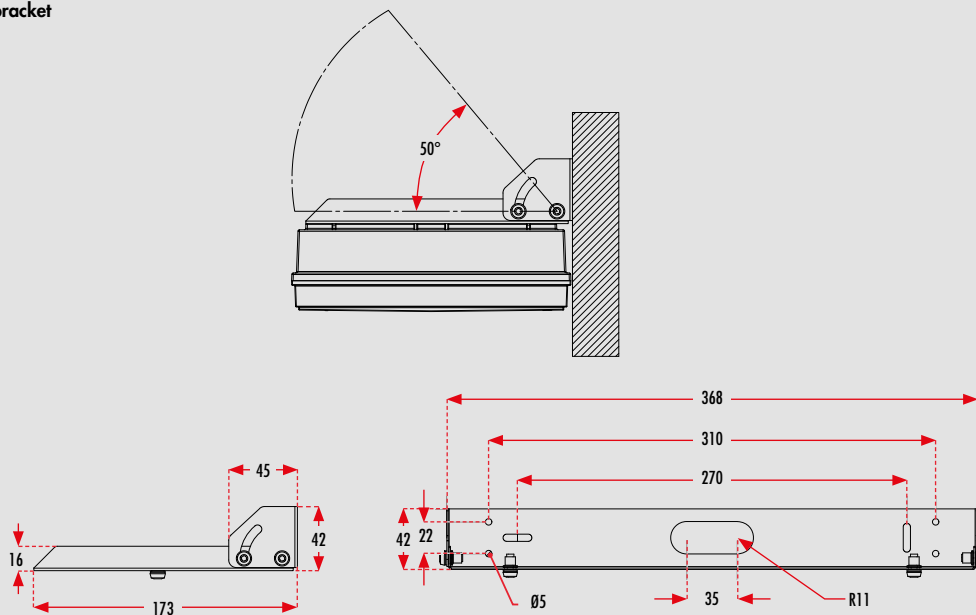
Dimensions [mm]

TWT3001 | Recess mounting frame

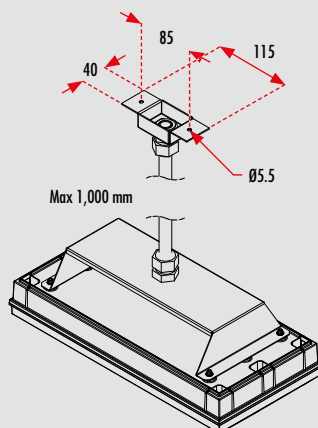


* Aperture for recess mounting 185 mm x 385 mm.

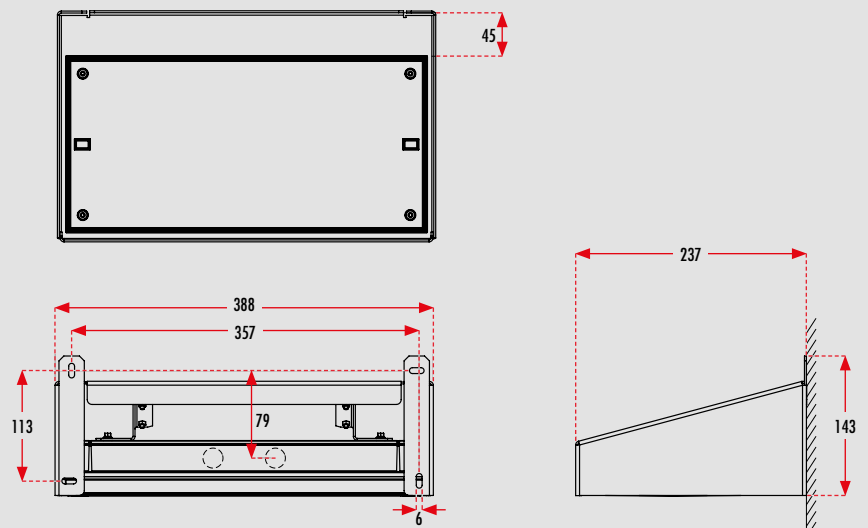
TWT3002 | Wall bracket



TWT3006 | Suspension bracket



TWT3007 | Protective cover



Trail:

Zone Lowbay

Zone Midbay

Centrally supplied emergency light for open areas

A streamlined emergency light that is easy to mount on a track

The Teknoware Trail is an emergency light that can be mounted directly on a lighting track and is Global Trac compatible with a separate adapter. The body is made of metal, and it can also be mounted on the ceiling without a lighting track. The streamlined emergency light blends well into its surroundings and the architecture.

The Trail Zone Lowbay and Zone Midbay provide a broad and even light pattern that illuminates open areas efficiently. The versatile Trail product family has plenty of options for different applications and systems. The standard colour is white (RAL 9003), other RAL colours are available upon special order.



- **For open areas**
Broad and even light pattern that illuminates open areas efficiently.
- **Easy to install**
Surface mounting on a lighting track or ceiling as default. Mounting on Global Trac with an accessory.
- **Mounting height**
up to 10 metres.



HIGHLIGHTS



OPTIMISED FOR TRACK MOUNTING



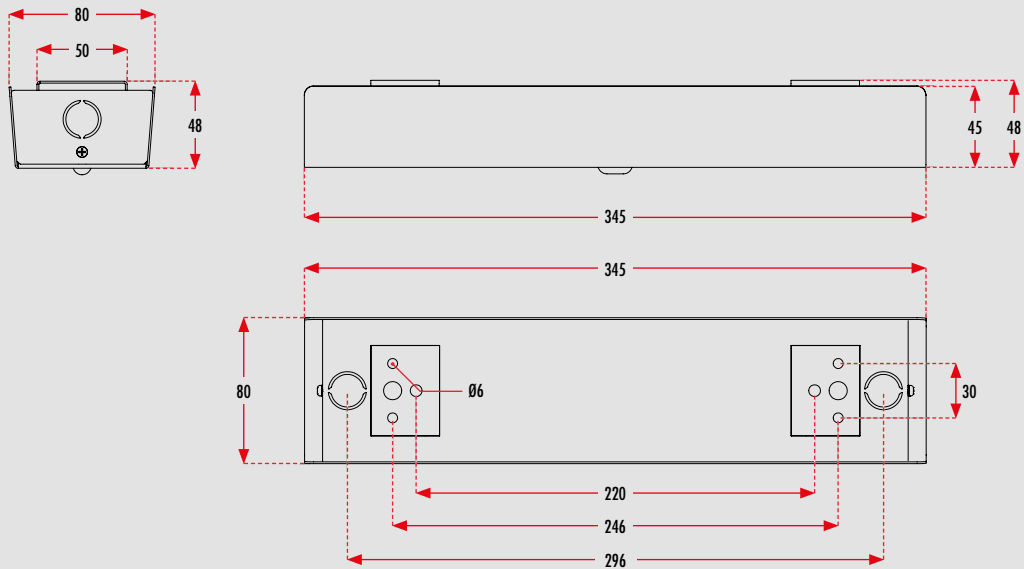
VERSATILE OPTICS



METAL BODY

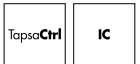
Dimensions [mm]

Trail | Luminaire



Trail: Zone Lowbay

Addressable 230 V centrally supplied emergency lights

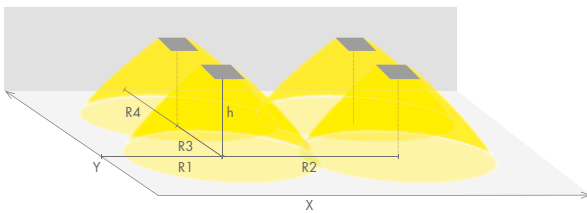


Product code	Nominal supply voltage	Max. input power	Luminous flux	Operating temperature	Electrical installation	Protection class	Weight
TWTC251WK	220–240 V 50/60 Hz AC, DC	10 VA / 5.5 W	255 lm	–30...+50°C	3 x 2.5 mm ²	1	0.9 kg

Non-addressable 24–230 V centrally supplied emergency lights

Product code	Nominal supply voltage	Max. input power	Luminous flux	Operating temperature	Electrical installation	Protection class	Weight
TWTC271W	24–230 V 50/60 Hz AC, DC	24 V = 7.5 VA / 4 W 230 V = 11 VA / 4 W	255 lm	–30...+50°C	24 V = 2 x 2.5 mm ² 230 V = 3 x 2.5 mm ²	3 1	0.9 kg

Light distribution | Emergency lighting for open areas (ceiling mounting)

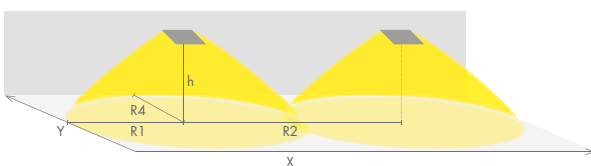


- 0.5 lux table for open areas, in accordance with EN 1838; 0.5-m border zone is taken into account in the table.
 - Level of measurement 0.02 m, measurement result in emergency mode.
- R1** distance from wall, X axis **R3** mounting distance, Y axis
R2 mounting distance, X axis **R4** distance from wall, Y axis

TWTC251WK, TWTC271W

Mounting height (m)	Below the light (lx)	R1 (m)	R2 (m)	R3 (m)	R4 (m)
	0.5 lx	0.5 lx	0.5 lx	0.5 lx	0.5 lx
2.5	4.3	5.5	10	10	5.5
4	1.9	6	11	11	6
6	1.6	6	11	11	6

Light distribution | Emergency lighting for escape routes (ceiling mounting)



- 1 lux table for the centre line of an escape route, in accordance with EN 1838.
 - Level of measurement 0.02 m, measurement results in emergency mode.
- R1** distance from wall, X axis **R4** distance from wall, Y axis
R2 mounting distance, X axis

TWTC251WK, TWTC271W

Mounting height (m)	Below the light (lx)	R1 (m)	R2 (m)	R4 (m)
	1 lx	1 lx	1 lx	1 lx
2.5	4.3	5	11	1
4	1.7	4	14	1

| NOTE! To illuminate an escape route, we recommend the Trail Line Lowbay; see page 167.

Trail: Zone Midbay

Addressable 230 V centrally supplied emergency lights

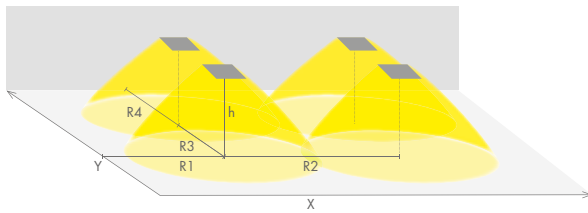


Product code	Nominal supply voltage	Max. input power	Luminous flux	Operating temperature	Electrical installation	Protection class	Weight
TWTC551WK	220–240 V 50/60 Hz AC, DC	10 VA / 5.5 W	230 lm	–30...+50°C	3 x 2.5 mm ²	1	0.9 kg

Non-addressable 24–230 V centrally supplied emergency lights

Product code	Nominal supply voltage	Max. input power	Luminous flux	Operating temperature	Electrical installation	Protection class	Weight
TWTC571W	24–230 V 50/60 Hz AC, DC	24 V = 7.5 VA / 4 W 230 V = 11 VA / 4 W	230 lm	–30...+50°C	24 V = 2 x 2.5 mm ² 230 V = 3 x 2.5 mm ²	3 1	0.9 kg

Light distribution | Emergency lighting for open areas (ceiling mounting)



- 0.5 lux table for open areas, in accordance with EN 1838; 0.5-m border zone is taken into account in the table.
- Level of measurement 0.02 m, measurement result in emergency mode.

R1 distance from wall, X axis

R2 mounting distance, X axis

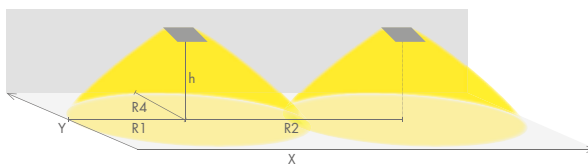
R3 mounting distance, Y axis

R4 distance from wall, Y axis

TWTC551WK, TWTC571W

Mounting height (m)	Below the light (lx)	R1 (m)	R2 (m)	R3 (m)	R4 (m)
		0.5 lx	0.5 lx	0.5 lx	0.5 lx
2.5	25	3	5.5	5.5	3
4	9	3.5	6.5	6.5	3.5
6	4	4.5	8	8	4.5
8	2.5	5	9.5	9.5	5
10	1.5	5	10	10	5

Light distribution | Emergency lighting for escape routes (ceiling mounting)



- 1 lux table for the centre line of an escape route, in accordance with EN 1838.
- Level of measurement 0.02 m, measurement results in emergency mode.

R1 distance from wall, X axis

R2 mounting distance, X axis

R4 distance from wall, Y axis

TWTC551WK, TWTC571W

Mounting height (m)	Below the light (lx)	R1 (m)	R2 (m)	R4 (m)
		1 lx	1 lx	1 lx
2.5	25	2.5	6	1
4	9	3	8	1
6	4	4	9	1
8	2.5	4.5	11	1
10	1.5	3.5	11	1

| NOTE! To illuminate an escape route, we recommend the Trail Line Midbay; see page 168.

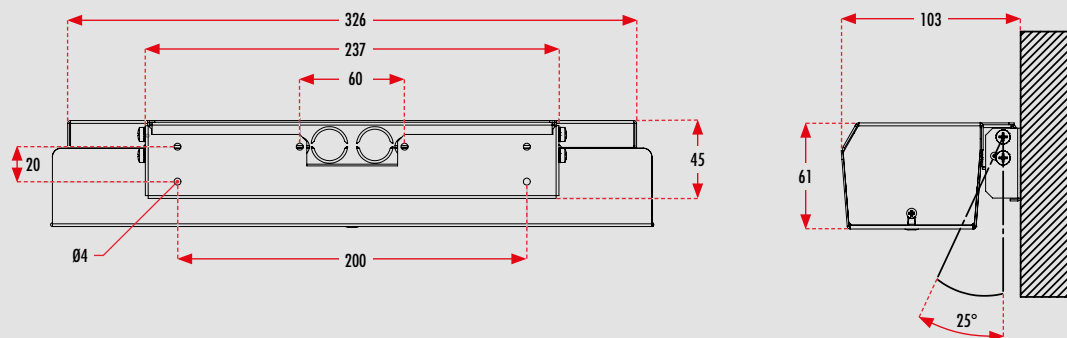
Trail

Accessories

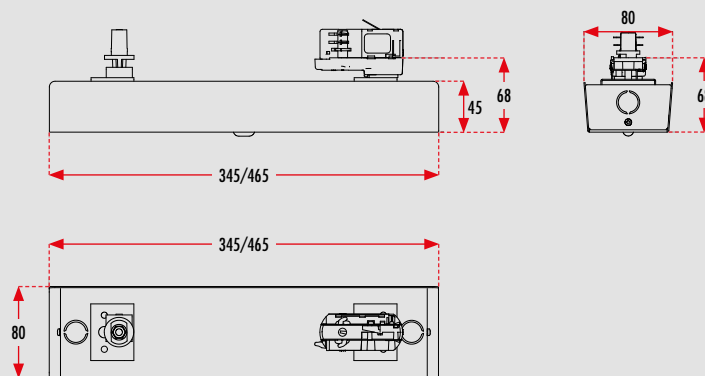
Product code	Product description
TWTC1001	Wall bracket
TWTC1000	Lighting track adapter (compatible with Global Trac)
TWTC1000B	Lighting track adapter, black (compatible with Global Trac)

Dimensions [mm]

TWTC1001 | Wall bracket

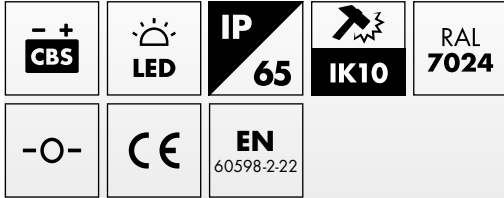


TWTC1000(B) | Lighting track adapter



Smooth: Zone

Centrally supplied emergency light for open areas



Compact, durable and versatile outdoor emergency light

The Teknoware Smooth is a small but highly durable emergency light that is optimised for outdoor use and blends seamlessly into the architecture of the building. The Smooth is a combination product that can be used as an emergency light and 200 lm general luminaire, depending on the application. The Smooth Zone provides a broad and even light pattern that illuminates open areas efficiently.

The Smooth always consists of two units: the luminaire and a separate indoor electronic unit. The product includes a 5-metre fireproof cable between the units. The luminaire is designed for surface mounting on a wall. The Smooth has an impact-resistant cast aluminium casing (IK10), and it is dustproof and water-resistant (IP65 for the visible part). The standard colour is graphite grey (RAL 7024).



For open areas

Wide and even light pattern that illuminates open areas efficiently.

Mounting height

up to 4 metres.

Combination model

Can also be used as a 200 lm general luminaire.

Streamlined

Blends seamlessly into the architecture of the building.

Dustproof and water-resistant
IP 65.

Vandalism-proof

Impact-resistant cast aluminium casing (IK10).

Two units

Consists of the luminaire and the electronics unit.



HIGHLIGHTS



SMALL AND
DISCREET



DEMANDING
CONDITIONS



EMERGENCY LIGHT AND
GENERAL LUMINAIRE



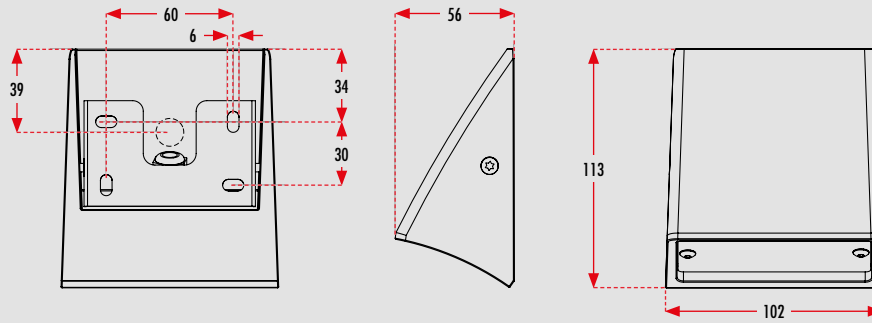
IMPACT-RESISTANT
IK10



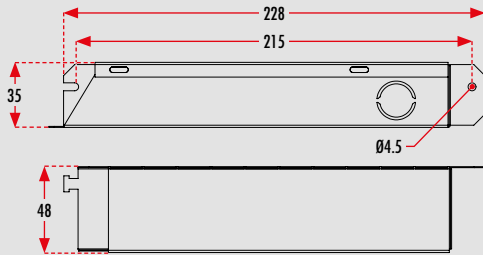
DUSTPROOF AND
WATER-RESISTANT

Dimensions [mm]

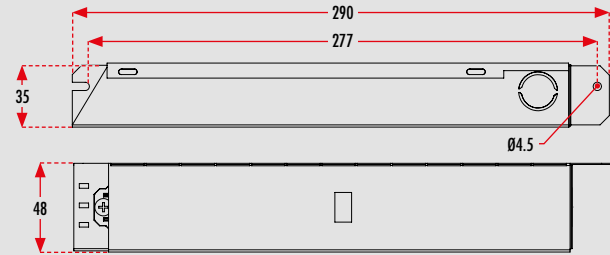
Smooth | Luminaire



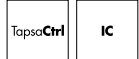
TWTA841WK | Electronics unit (IP20)



TWTA851WK | Electronics unit (IP20)



Addressable 230 V centrally supplied emergency lights



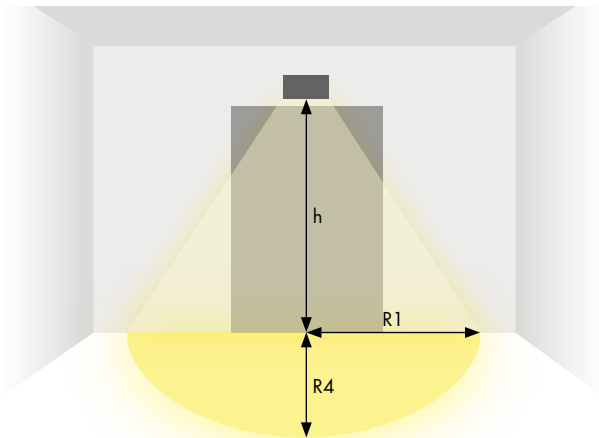
Product code	Nominal supply voltage	Max. input power	Luminous flux	Operating temperature	Electrical installation	Protection class	Weight
TWTA851WK	220–240 V 50/60 Hz AC, DC	10 VA / 5.5 W	200 lm	–30...+50°C	3 x 2.5 mm ²	1	0.8 kg

Addressable 24 V centrally supplied emergency lights



Product code	Nominal supply voltage	Max. input power	Luminous flux	Operating temperature	Electrical installation	Protection class	Weight
TWTA841WK	24 V 50/60 Hz AC, DC	3 VA / 3 W	200 lm	–30...+50°C	2/3 x 2.5 mm ²	3	0.8 kg

Light distribution | Wall mounting



- 1 and 0.5 lux table below the emergency light.
 - Level of measurement 0.02 m, measurement results in emergency mode.
- R1** distance from wall, X axis
R4 distance from wall, Y axis

TWTA851WK, TWTA841WK

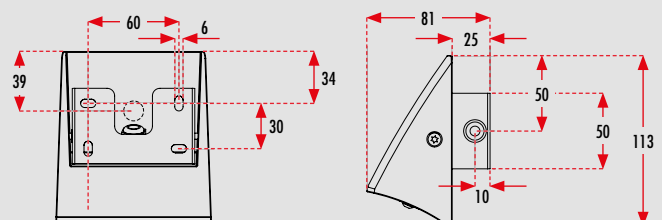
Mounting height (m)	Below the light (lx)	R1 (m)	R4 (m)	R1 (m)	R4 (m)
		1 lx	1 lx	0.5 lx	0.5 lx
2.5	13	2.4	4.5	2.5	6
3	9	2.6	5	2.8	6.5
4	5	3	5.2	3.4	7

Accessories

Product code	Product description
XWTA810	Surface-mounting bracket for surface-mounted cable

Dimensions [mm]

XWTA810 | Surface-mounting bracket for surface-mounted cable



Stamina: Zone Midbay Zone Highoutput

Centrally supplied emergency light for open areas



Versatile emergency light for outdoor and industrial use and other demanding conditions

The Teknoware Stamina is a versatile and robust emergency light that has been designed to endure freezing temperatures and challenging conditions. The Stamina is particularly well suited for industrial sites, tunnels, parking halls and loading platforms. The Stamina Zone Midbay and Zone Highoutput emergency lights provide a broad and even light pattern that illuminates open areas efficiently.

The Stamina is a combination product that can be used as an emergency light and as a general luminaire, for example, above doors. The Stamina has an impact-resistant cast aluminium casing (IK10), and it is dustproof and water-resistant (IP65). The Stamina has a chemical-resistant glass diffusor. The Stamina can be surface-mounted on the wall or ceiling with a separate bracket or recess-mounted with a recess frame. When mounted with the wall bracket, the light is at a 20° angle. The standard colour is graphite grey (RAL 9007).



For open areas

Broad and even light pattern that illuminates open areas efficiently.

Mounting height

up to 20 metres.

Combination model

Can also be used as a general luminaire.

Dustproof and water-resistant

IP 65.

Vandalism-proof

Impact-resistant cast aluminium casing (IK10).

Weatherproof

Can be used in temperatures of between -30...+50°C.



HIGHLIGHTS



DEMANDING CONDITIONS



EMERGENCY LIGHT AND GENERAL LUMINAIRE



IMPACT-RESISTANT IK10



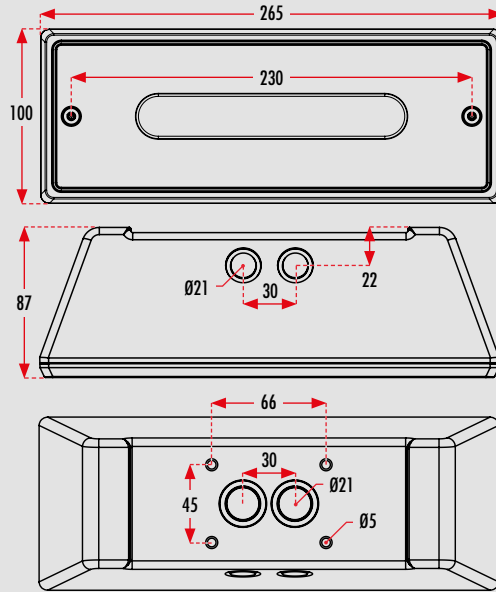
MOUNTING HEIGHT



DUSTPROOF AND WATER-RESISTANT

Dimensions [mm]

Stamina | Luminaire



Stamina: Zone Midbay

Addressable 230 V centrally supplied emergency lights

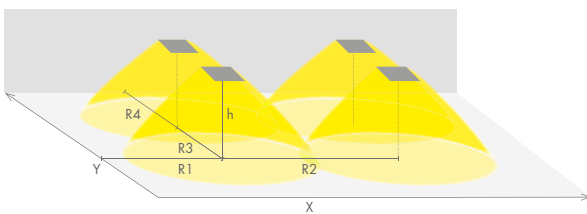


Product code	Nominal supply voltage	Max. input power	Luminous flux	Operating temperature	Electrical installation	Protection class	Weight
TWT5251WK	220–240 V 50/60 Hz AC, DC	14 VA / 8.5 W	480 lm	–30...+50°C	3 x 2.5 mm ²	1	1.2 kg

Non-addressable 24–230 V centrally supplied emergency lights

Product code	Nominal supply voltage	Max. input power	Luminous flux	Operating temperature	Electrical installation	Protection class	Weight
TWT5271W	24–230 V 50/60 Hz AC, DC	24 V = 7.8 VA / 5.5 W 230 V = 14.5 VA / 6.5 W	480 lm	–30...+50°C	24 V=2 x 2.5 mm ² 230 V=3 x 2.5 mm ²	3 1	1.2 kg

Light distribution | Emergency lighting for open areas (ceiling mounting)

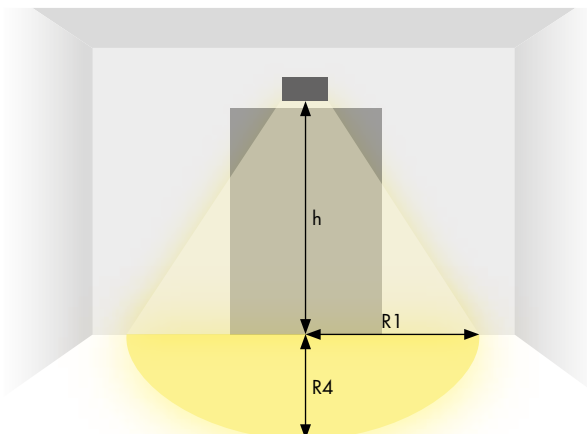


- 0.5 lux table for open areas, in accordance with EN 1838; 0.5-m border zone is taken into account in the table.
 - Level of measurement 0.02 m, measurement result in emergency mode.
- R1** distance from wall, X axis **R3** mounting distance, Y axis
R2 mounting distance, X axis **R4** distance from wall, Y axis

TWT5251WK, TWT5271W

Mounting height (m)	Below the light (lx)	R1 (m)	R2 (m)	R3 (m)	R4 (m)
		0.5 lx	0.5 lx	0.5 lx	0.5 lx
4	31	3.5	7.5	7.5	3.5
6	14	4.5	9.5	9.5	4.5
8	7	5	10.5	10.5	5
10	5	5.5	12	12	5.5
12	3.5	6	13	13	6
14	2.5	6	13	13	6
16	2	6	13	13	6

Light distribution | Wall mounting



- 1 and 0.5 lux table below the emergency light.
 - Level of measurement 0.02 m, measurement results in emergency mode.
- R1** distance from wall, X axis **R4** distance from wall, Y axis

TWT5251WK, TWT5271W

Mounting height (m)	Below the light (lx)	R1 (m)	R4 (m)	R1 (m)	R4 (m)
		1 lx	1 lx	0.5 lx	0.5 lx
2.5	80	2.5	4	3	5
3	56	2.8	4.3	3.3	5.3
4	31	3.4	4.8	3.9	6
6	12	4.3	5.5	5	7

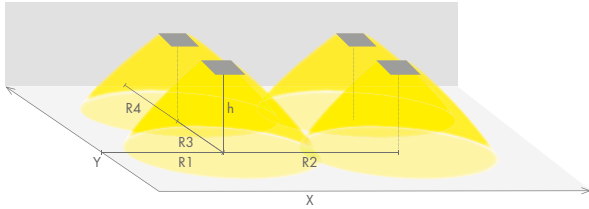
Stamina: Zone Highoutput

Addressable 230 V centrally supplied emergency lights



Product code	Nominal supply voltage	Max. input power	Luminous flux	Operating temperature	Electrical installation	Protection class	Weight
TWT5751WKH	220–240 V 50/60 Hz AC, DC	33 VA / 18 W	915 lm	–30...+50°C	3 x 2.5 mm ²	1	1.2 kg

Light distribution | Emergency lighting for open areas (ceiling mounting)



- 0.5 lux table for open areas, in accordance with EN 1838; 0.5-m border zone is taken into account in the table.
 - Level of measurement 0.02 m, measurement result in emergency mode.
- R1** distance from wall, X axis
R2 mounting distance, X axis
R3 mounting distance, Y axis
R4 distance from wall, Y axis

TWT5751WKH

Mounting height (m)	Below the light (lx)	R1 (m)	R2 (m)	R3 (m)	R4 (m)
		0.5 lx	0.5 lx	0.5 lx	0.5 lx
3	44	5	12	7	4
4	24	5.5	14	8.5	4.5
6	11	6	16	12	6
8	6.5	9	18	14	7
10	4.5	9.5	19	15	7.5
12	3	10	20	16	8
14	2	10	20	16	8
16	1.5	10	20	16	8
18	1.2	10	20	16	8
20	0.9	10	20	16	8

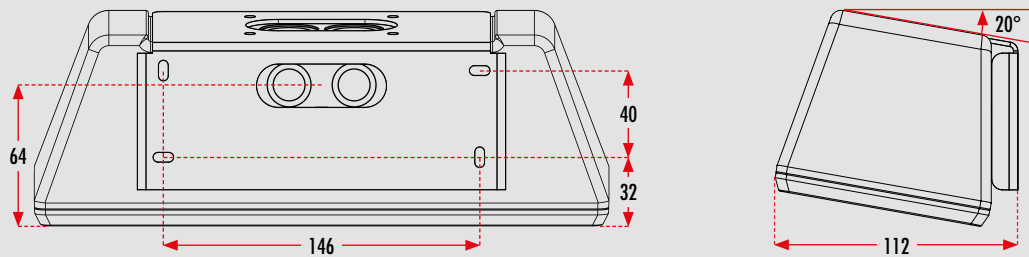
Stamina

Accessories

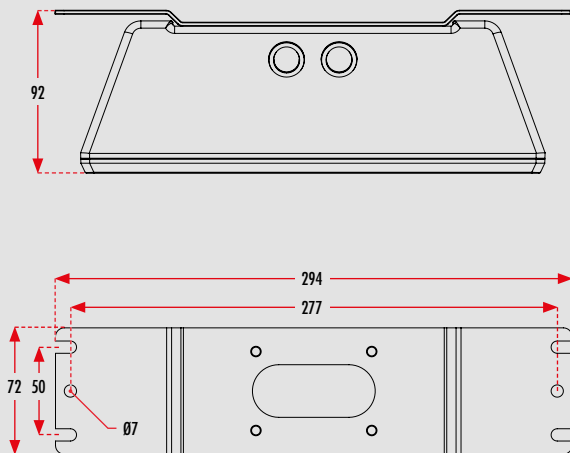
Product code	Product description
XWT5210	Wall bracket
XWT5211	Ceiling bracket
XWT5213	Recess mounting frame

Dimensions [mm]

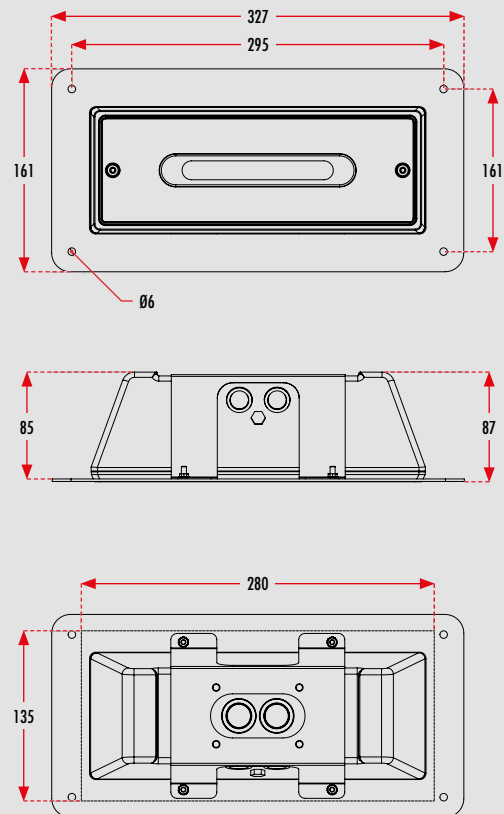
XWT5210 | Wall bracket



XWT5211 | Ceiling bracket



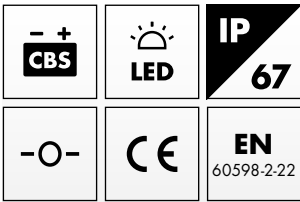
XWT5213 | Recess mounting frame *



* Aperture for recess mounting 280 mm x 135 mm.

Robust 86

Centrally supplied emergency light for open areas



Robust ceiling-mounted emergency light for tunnels and other demanding conditions

The Teknoware Robust 86 is suitable for demanding conditions, such as humid spaces, industrial sites and tunnels. The robust luminaire was originally designed for underground tunnels and is fully dust and water-resistant (IP67).

The Robust 86 is a ceiling-mounted emergency light. It provides a broad and even light pattern that illuminates open areas efficiently.



For open areas

Wide and even light pattern that illuminates open areas efficiently.

For demanding conditions

Designed for metro tunnels and other highly demanding conditions.

Mounting height

up to 20 metres.

Dust and waterproof

IP 67.

Ceiling mounting

Ceiling-mounted emergency light.



HIGHLIGHTS



EXTREME
CONDITIONS



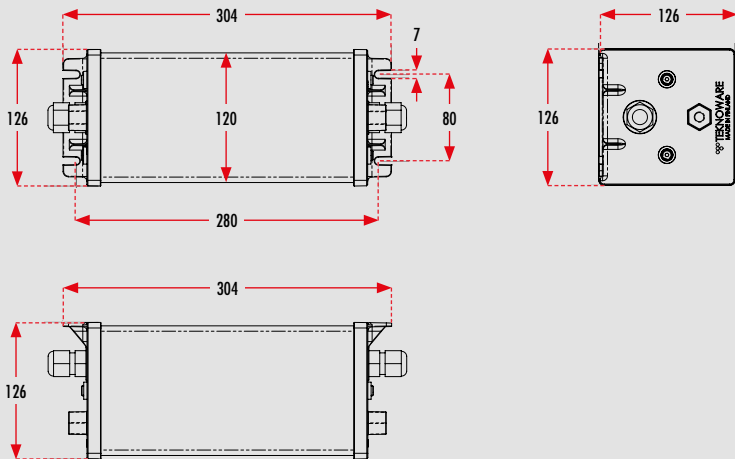
FOR TUNNELS AND
INDUSTRY



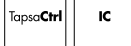
DUST AND
WATERPROOF

Dimensions [mm]

Robust 86 | Luminaire

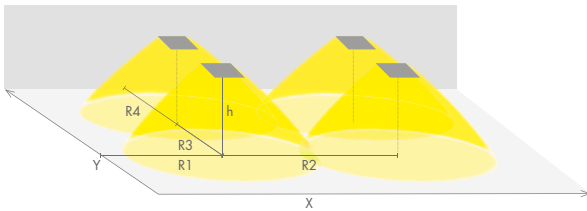


Addressable 230 V centrally supplied emergency lights



Product code	Nominal supply voltage	Input power	Luminous flux	Operating temperature	Electrical installation	Protection class	Weight
TWT8651WK	220-240 V 50/60 Hz AC, DC	40 VA / 18 W	900 lm	-30...+50°C	3 x 2.5 mm ²	1	1.3 kg

Light distribution | Emergency lighting for open areas (ceiling mounting)



- 0.5 lux table for open areas, in accordance with EN 1838; 0.5-m border zone is taken into account in the table.
- Level of measurement 0.02 m, measurement result in emergency mode.

R1 distance from wall, X axis

R3 mounting distance, Y axis

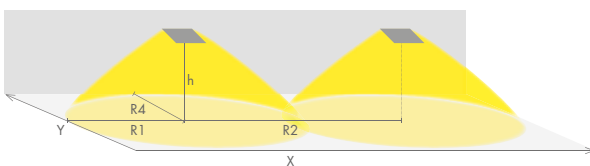
R2 mounting distance, X axis

R4 distance from wall, Y axis

TWT8651WK

Mounting height (m)	Below the light (lx)	R1 (m)	R2 (m)	R3 (m)	R4 (m)
		0.5 lx	0.5 lx	0.5 lx	0.5 lx
4	32	10.2	14	14	7.5
6	14	11.7	16	16	8.5
8	8	13.2	16	16	8.5
10	5	13.2	16	16	8.5
12	3	13.2	16	16	8.5
14	2.5	13.2	16	16	8.5
16	2	10	14	14	7
18	1.5	8	12	12	6
20	1	7	8	8	5

Light distribution | Emergency lighting for escape routes (ceiling mounting)



- 1 lux table for the centre line of an escape route, in accordance with EN 1838.
- Level of measurement 0.02 m, measurement results in emergency mode.

R1 distance from wall, X axis

R2 mounting distance, Y axis

R4 distance from wall, Y axis

TWT8651WK

Mounting height (m)	Below the light (lx)	R1 (m)	R2 (m)	R4 (m)
		1 lx	1 lx	1 lx
4	32	8	18	1
6	14	9	22	1
8	8	9	24	1
10	5	9	24	1

Slimspot II: Line Lowbay Line Midbay

Centrally supplied emergency light for escape routes



Discreet and efficient emergency light that blends seamlessly into the architecture of the space

The Teknoware Slimspot II Line Lowbay and Line Midbay emergency lights provide a long and narrow light pattern that illuminates escape routes efficiently.

Thanks to its compact size, the emergency light blends seamlessly into the architecture of the space. The extensive product and optics range offers several ways to illuminate areas of different types and sizes. The Slimspot II has a durable metal body, and it is designed for indoor use.

The standard colour is white (RAL 9003). Other RAL colours are available upon special order. The Slimspot II includes a light and one or two electronic units. The product is delivered with the 900-mm connection cable between the light and the electronic unit.



For escape routes

A long and narrow light pattern that illuminates exit routes efficiently.

Mounting height

up to 10 metres.

Elegant

Minimalist and classic design.

Square or round

Choose the model that suits your needs.

Discreet

Recessed emergency light blends seamlessly into the ceiling.

P models with phase monitoring

The light is also switched on when its own phase monitoring input loses power.



HIGHLIGHTS



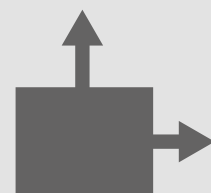
SMALL AND DISCREET



EXTENSIVE PRODUCT RANGE



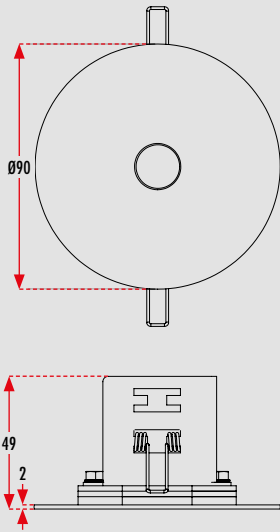
VERSATILE OPTICS



PHASE MONITORING IN P MODELS

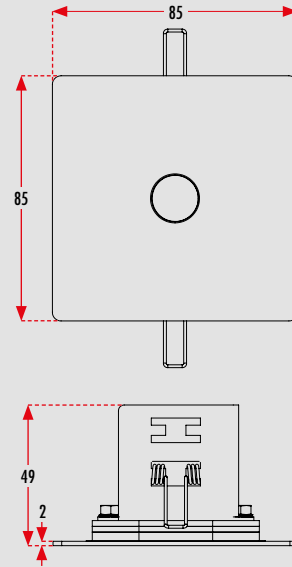
Dimensions [mm]

TWx11/61xx | Luminaire *

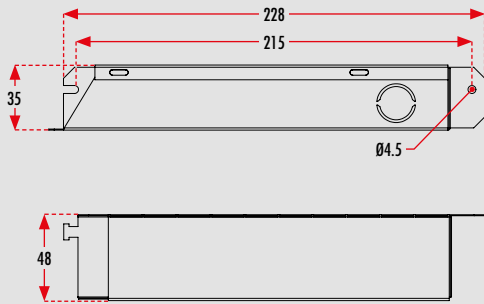


* Aperture Ø 75 mm. Mounted with springs that are part of the product.

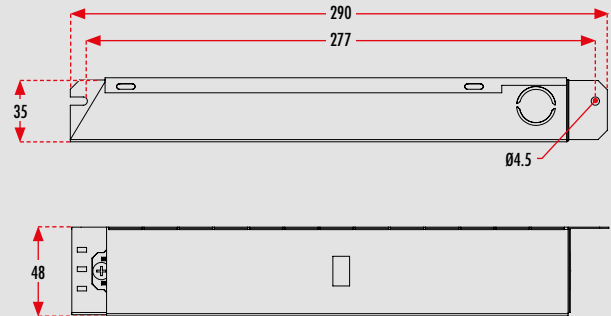
TWxA2/A5xx | Luminaire *



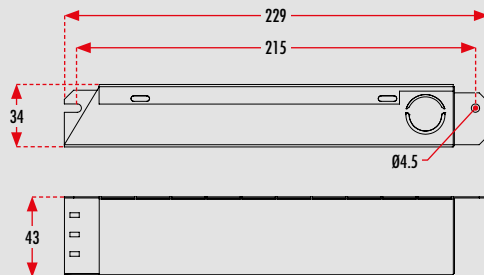
TWTxx41WK | Electronics unit



TWTxx51WK | Electronics unit



TWTxx71W | Electronics unit



Product information on page 148

Centrally supplied luminaires	Shape: round		Shape: square	
	Escape route		Escape route	
	Lowbay	Midbay	Lowbay	Midbay
24 V – 230 V	TWT6171W	TWT1171W	TWTA171W	TWTA471W
Addressable 24 V	TWT6141WK	TWT1141WK	TWTA141WK	TWTA441WK
Addressable 230 V	TWT6151WK	TWT1151WK	TWTA151WK	TWTA451WK
Addressable 230 V with phase monitoring		TWT1151WKP		

Slimspot II: Line Lowbay

Addressable 230 V centrally supplied emergency lights



Shape/colour	Product code	Nominal supply voltage	Max. input power	Luminous flux	Operating temperature	Electrical installation	Protection class	Weight
○	TWT6151WK	220–240 V 50/60 Hz AC, DC	10 VA / 5.5 W	250 lm	–30...+50°C	3 x 2.5 mm ²	1	0.4 kg
□	TWTA151WK	220–240 V 50/60 Hz AC, DC	10 VA / 5.5 W	250 lm	–30...+50°C	3 x 2.5 mm ²	1	0.4 kg

Non-addressable 24–230 V centrally supplied emergency lights

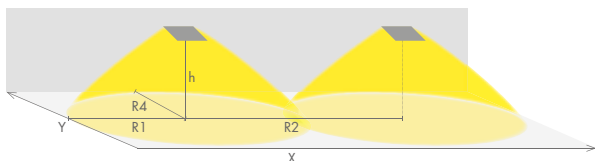
Shape/colour	Product code	Nominal supply voltage	Max. input power	Luminous flux	Operating temperature	Electrical installation	Protection class	Weight
○	TWT6171W	24–230 V 50/60 Hz AC, DC	24 V = 7.5 VA / 4 W 230 V = 11 VA / 4 W	250 lm	–30...+50°C	24 V = 2 x 2.5 mm ² 230 V = 3 x 2.5 mm ²	3 1	0.4 kg
□	TWTA171W	24–230 V 50/60 Hz AC, DC	24 V = 7.5 VA / 4 W 230 V = 11 VA / 4 W	250 lm	–30...+50°C	24 V = 2 x 2.5 mm ² 230 V = 3 x 2.5 mm ²	3 1	0.4 kg

Addressable 24 V centrally supplied emergency lights



Shape/colour	Product code	Nominal supply voltage	Max. input power	Luminous flux	Operating temperature	Electrical installation	Protection class	Weight
○	TWT6141WK	24 V 50/60 Hz AC, DC	3 VA / 3.0 W	250 lm	–30...+50°C	2 x 2.5 mm ²	3	0.4 kg
□	TWTA141WK	24 V 50/60 Hz AC, DC	3 VA / 3.0 W	250 lm	–30...+50°C	2 x 2.5 mm ²	3	0.4 kg

Light distribution | Emergency lighting for escape routes (ceiling mounting)



- 1 lux table for the centre line of an escape route, in accordance with EN 1838.
- Level of measurement 0.02 m, measurement results in emergency mode.

R1 distance from wall, X axis

R2 mounting distance, X axis

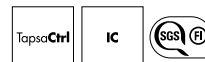
R4 distance from wall, Y axis

**TWT6151WK, TWTA151WK, TWT6171W,
TWTA171W, TWT6141WK, TWTA141WK**

Mounting height (m)	Below the light (lx)	R1 (m)	R2 (m)	R4 (m)
		1 lx	1 lx	1 lx
2.5	7.5	9	21	1
4	3	10	28	1
6	1.5	9	22	1

Slimspot II: Line Midbay

Addressable 230 V centrally supplied emergency lights



Shape/colour	Product code	Nominal supply voltage	Max. input power	Luminous flux	Operating temperature	Electrical installation	Protection class	Weight
○	TWT1151WK*	220–240 V 50/60 Hz AC, DC	10 VA / 5.5W	265 lm	–30...+50°C	3 x 2.5 mm ²	1	0.4 kg
○	TWT1151WKP**/**	220–240 V 50/60 Hz AC, DC	10 VA / 5.5W	265 lm	–30...+50°C	3 x 2.5 mm ²	1	0.4 kg
□	TWTA451WK	220–240 V 50/60 Hz AC, DC	10 VA / 5.5W	265 lm	–30...+50°C	3 x 2.5 mm ²	1	0.4 kg

* SGS FI certified | ** The luminaire includes local phase control input

Non-addressable 24–230 V centrally supplied emergency lights

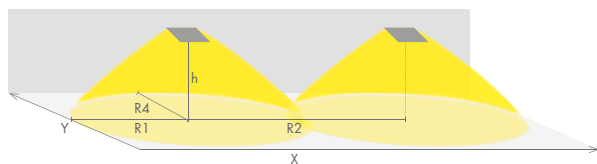
Shape/colour	Product code	Nominal supply voltage	Max. input power	Luminous flux	Operating temperature	Electrical installation	Protection class	Weight
○	TWT1171W	24–230 V 50/60 Hz AC, DC	24 V = 7.5 VA / 4 W 230 V = 11 VA / 4 W	265 lm	–30...+50°C	24 V = 2 x 2.5 mm ² 230 V = 3 x 2.5 mm ²	3 1	0.4 kg
□	TWTA471W	24–230 V 50/60 Hz AC, DC	24 V = 7.5 VA / 4 W 230 V = 11 VA / 4 W	265 lm	–30...+50°C	24 V = 2 x 2.5 mm ² 230 V = 3 x 2.5 mm ²	3 1	0.4 kg

Addressable 24 V centrally supplied emergency lights



Shape/colour	Product code	Nominal supply voltage	Max. input power	Luminous flux	Operating temperature	Electrical installation	Protection class	Weight
○	TWT1141WK	24 V 50/60 Hz AC, DC	3 VA / 3.0 W	265 lm	–30...+50°C	2 x 2.5 mm ²	3	0.4 kg
□	TWTA441WK	24 V 50/60 Hz AC, DC	3 VA / 3.0 W	265 lm	–30...+50°C	2 x 2.5 mm ²	3	0.4 kg

Light distribution | Emergency lighting for escape routes (ceiling mounting)



- 1 lux table for the centre line of an escape route, in accordance with EN 1838.
- Level of measurement 0.02 m, measurement results in emergency mode.

R1 distance from wall, X axis

R2 mounting distance, X axis

R4 distance from wall, Y axis

TWT1151WK, TWT1151WKP, TWTA451WK, TWT1171W, TWTA471W, TWT1141WK, TWTA441WK

Mounting height (m)	Below the light (lx)	R1 (m)	R2 (m)	R4 (m)
		1 lx	1 lx	1 lx
2.5	40	5	11	1
4	15	6.5	17	1
6	6	7.5	20	1
8	3.5	7	21	1
10	2	6.5	21	1

Linespot II: Lowbay Midbay

Centrally supplied emergency light for escape routes

Emergency light for escape routes, suitable for surface or recess mounting

The Teknoware Linespot II Lowbay and Midbay emergency lights provide a long and narrow light pattern that illuminates escape routes efficiently. Efficient optics enable mounting distances of up to 28 metres. The Linespot II is available in two models: square for surface mounting and round for recess mounting.

The square surface-mounted model has IP44 rating, making it splash-resistant.

Thanks to its compact size, the round recess-mounted model blends seamlessly into the architecture of the space. The visible parts of the recess-mounted model are also IP44 when equipped with an additional gasket. The aperture for recess mounting is 75 mm.

The standard colour of the recess-mounted model is white (RAL 9003). The surface-mounted model is also available in black (RAL 9005). Other RAL colours are available upon special order.



For escape routes

A long and narrow light pattern that illuminates exit routes efficiently.

The mounting method determines the shape

The square model is always surface mounted and the round model is recess mounted.

Long mounting distances

Up to 28 metres spacing between luminaires.

Mounting height

up to 16 metres.

Splash-resistant

The IP rating of the surface-mounted emergency light is IP44. The visible parts of the recess mounted model are also IP44-rated when equipped with an additional gasket (TMT389).



HIGHLIGHTS



MOUNTING
DISTANCE



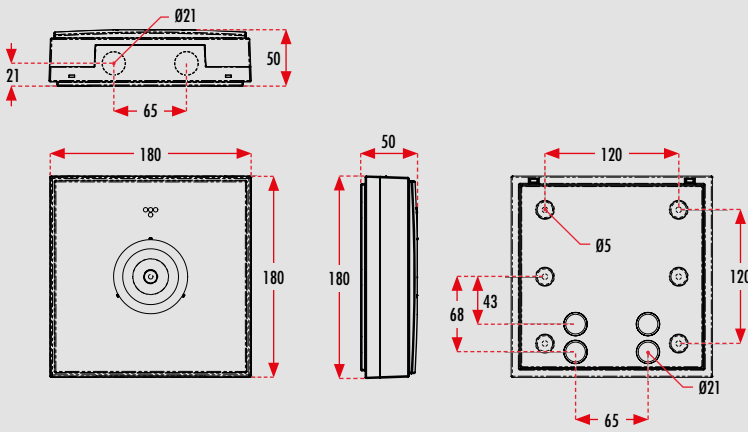
MOUNTING
HEIGHT



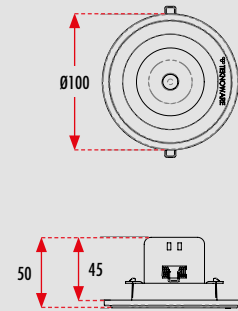
SPLASH-RESISTANT *

Dimensions [mm]

Linespot II | Surface-mounted luminaire

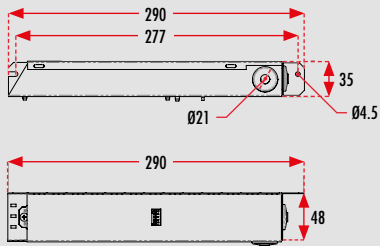


Linespot II | Recess-mounted luminaire *

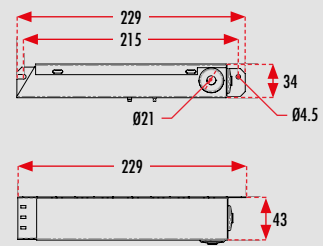


* Aperture Ø 75 mm. Mounted with springs that are part of the product.

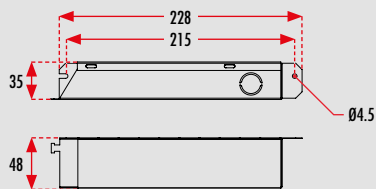
TWT1451WK | Electronics unit



TWT1471W | Electronics unit



TWT1441WK | Electronics unit



Product information on page 152

Linespot II: Lowbay

Addressable 230 V centrally supplied emergency lights



Shape/colour	Mounting	Product code	Nominal supply voltage	Max. input power	Luminous flux	Operating temperature	Electrical installation	Protection class	Weight
○	Recess	TWT1451WK	220–240 V 50/60 Hz AC, DC	10 VA / 5.5 W	250 lm	–30...+50°C	3 x 2.5 mm ²	1	0.4 kg
□	Surface	TWT9951WK	220–240 V 50/60 Hz AC, DC	10 VA / 5.5 W	230 lm	–30...+50°C	2/3 x 2.5 mm ²	2	0.5 kg
■	Surface	TWT9951WKT	220–240 V 50/60 Hz AC, DC	10 VA / 5.5 W	230 lm	–30...+50°C	2/3 x 2.5 mm ²	2	0.5 kg

Non-addressable 24–230 V centrally supplied emergency lights

Shape/colour	Mounting	Product code	Nominal supply voltage	Max. input power	Luminous flux	Operating temperature	Electrical installation	Protection class	Weight
○	Recess	TWT1471W	24–230 V 50/60 Hz AC, DC	24 V = 7.5 VA / 4 W 230 V = 11 VA / 4 W	250 lm	–30...+50°C	24 V = 2 x 2.5 mm ² 230 V = 3 x 2.5 mm ²	3 1	0.4 kg
□	Surface	TWT9971W	24–230 V 50/60 Hz AC, DC	24 V = 8 VA / 5 W 230 V = 10 VA / 5 W	230 lm	–30...+50°C	24 V = 2/3 x 2.5 mm ² 230 V = 3 x 2.5 mm ²	3 2	0.5 kg
■	Surface	TWT9971WT	24–230 V 50/60 Hz AC, DC	24 V = 8 VA / 5 W 230 V = 10 VA / 5 W	230 lm	–30...+50°C	24 V = 2/3 x 2.5 mm ² 230 V = 3 x 2.5 mm ²	3 2	0.5 kg

Addressable 24 V centrally supplied emergency lights



Shape/colour	Mounting	Product code	Nominal supply voltage	Max. input power	Luminous flux	Operating temperature	Electrical installation	Protection class	Weight
○	Recess	TWT1441WK	24 V 50/60 Hz AC, DC	3 VA / 3 W	250 lm	–30...+50°C	2/3 x 2.5 mm ²	3	0.4 kg
□	Surface	TWT9941WK	24 V 50/60 Hz AC, DC	3.1 VA / 3.1 W	230 lm	–30...+50°C	2/3 x 2.5 mm ²	3	1.1 kg
■	Surface	TWT9941WKT	24 V 50/60 Hz AC, DC	3.1 VA / 3.1 W	230 lm	–30...+50°C	2/3 x 2.5 mm ²	3	1.1 kg

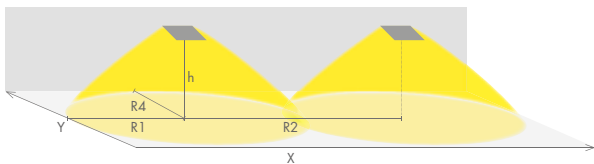
Individually packed addressable 230 V centrally supplied emergency lights

Shape	Mounting	Product code	Luminaire
○	Recess	Y1451WK	TWT1451WK
□	Surface	Y9951WK	TWT9951WK

Individually packed non-addressable 24–230 V centrally supplied emergency lights

Shape	Mounting	Product code	Luminaire
○	Recess	Y1471W	TWT1471W
□	Surface	Y9971W	TWT9971W

Light distribution | Emergency lighting for escape routes (ceiling mounting)



- 1 lux table for the centre line of an escape route, in accordance with EN 1838.
- Level of measurement 0.02 m, measurement results in emergency mode.

R1 distance from wall, X axis

R2 mounting distance, X axis

R4 distance from wall, Y axis

TWT1451WK, TWT9951WK(T), TWT1471W, TWT9971W(T), TWT1441WK, TWT9941WK(T),

Mounting height (m)	Below the light (lx)	R1 (m)	R2 (m)	R4 (m)
		1 lx	1 lx	1 lx
2.5	7.5	9	21	1
4	3	10	28	1
6	1.5	9	22	1

Linespot II: Midbay

Addressable 230 V centrally supplied emergency lights



Shape/colour	Mounting	Product code	Nominal supply voltage	Max. input power	Luminous flux	Operating temperature	Electrical installation	Protection class	Weight
□	Surface	TWT8851WK *	220–240 V 50/60 Hz AC, DC	10 VA / 5.5 W	240 lm	–30...+50°C	2/3 x 2.5 mm ²	2	0.5 kg
■	Surface	TWT8851WKT	220–240 V 50/60 Hz AC, DC	10 VA / 5.5 W	240 lm	–30...+50°C	2/3 x 2.5 mm ²	2	0.5 kg
□	Surface	TWT8856WK *	220–240 V 50/60 Hz AC, DC	22 VA / 12 W	530 lm	–30...+50°C	2/3 x 2.5 mm ²	2	0.5 kg
■	Surface	TWT8856WKT	220–240 V 50/60 Hz AC, DC	22 VA / 12 W	530 lm	–30...+50°C	2/3 x 2.5 mm ²	2	0.5 kg

* SGS FI certified

Non-addressable 24–230 V centrally supplied emergency lights

Shape/colour	Mounting	Product code	Nominal supply voltage	Max. input power	Luminous flux	Operating temperature	Electrical installation	Protection class	Weight
□	Surface	TWT8871W	24–230 V 50/60 Hz AC, DC	24 V = 8 VA / 5 W 230 V = 10 VA / 5 W	240 lm	–30...+50°C	24 V = 2 x 2.5 mm ² 230 V = 2/3 x 2.5 mm ²	3 2	0.5 kg
■	Surface	TWT8871WT	24–230 V 50/60 Hz AC, DC	24 V = 8 VA / 5 W 230 V = 10 VA / 5 W	240 lm	–30...+50°C	24 V = 2 x 2.5 mm ² 230 V = 2/3 x 2.5 mm ²	3 2	0.5 kg

Addressable 24 V centrally supplied emergency lights



Shape/colour	Mounting	Product code	Nominal supply voltage	Max. input power	Luminous flux	Operating temperature	Electrical installation	Protection class	Weight
□	Surface	TWT8841WK	24 V 50/60 Hz AC, DC	3.1 VA / 3.1 W	240 lm	–30...+50°C	2/3 x 2.5 mm ²	3	1.1 kg
■	Surface	TWT8841WKT	24 V 50/60 Hz AC, DC	3.1 VA / 3.1 W	240 lm	–30...+50°C	2/3 x 2.5 mm ²	3	1.1 kg

Individually packed addressable 230 V centrally supplied emergency lights

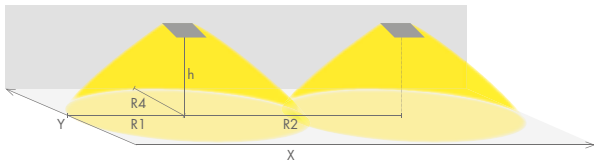
Shape/colour	Mounting	Product code	Luminaire
□	Surface	Y8851WK	TWT8851WK
□	Surface	Y8856WK	TWT8856WK

Individually packaged non-addressable 24–230 V centrally supplied emergency lights

Shape/colour	Mounting	Product code	Luminaire
□	Surface	Y8871W	TWT8871W

Linespot II: Midbay

Light distribution | Emergency lighting for escape routes (ceiling mounting)



- 1 lux table for the centre line of an escape route, in accordance with EN 1838.
- Level of measurement 0.02 m, measurement results in emergency mode.

R1 distance from wall, X axis

R2 mounting distance, X axis

R4 distance from wall, Y axis

TWT8851WK(T), TWT8871W(T), TWT8841WK(T)

Mounting height (m)	Below the light (lx)	R1 (m)	R2 (m)	R4 (m)
		1 lx	1 lx	1 lx
2.5	40	5	11	1
4	15	6.5	17	1
6	6	7.5	20	1
8	3.5	7	21	1
10	2	6.5	21	1

TWT8856WK(T)

Mounting height (m)	Below the light (lx)	R1 (m)	R2 (m)	R4 (m)
		1 lx	1 lx	1 lx
4	36	8	18	1
6	15	11	22	1
8	8	11.5	23	1
10	5	11.5	23	1
12	4	11.5	23	1
14	2.5	11	22	1
16	1.5	11	22	1

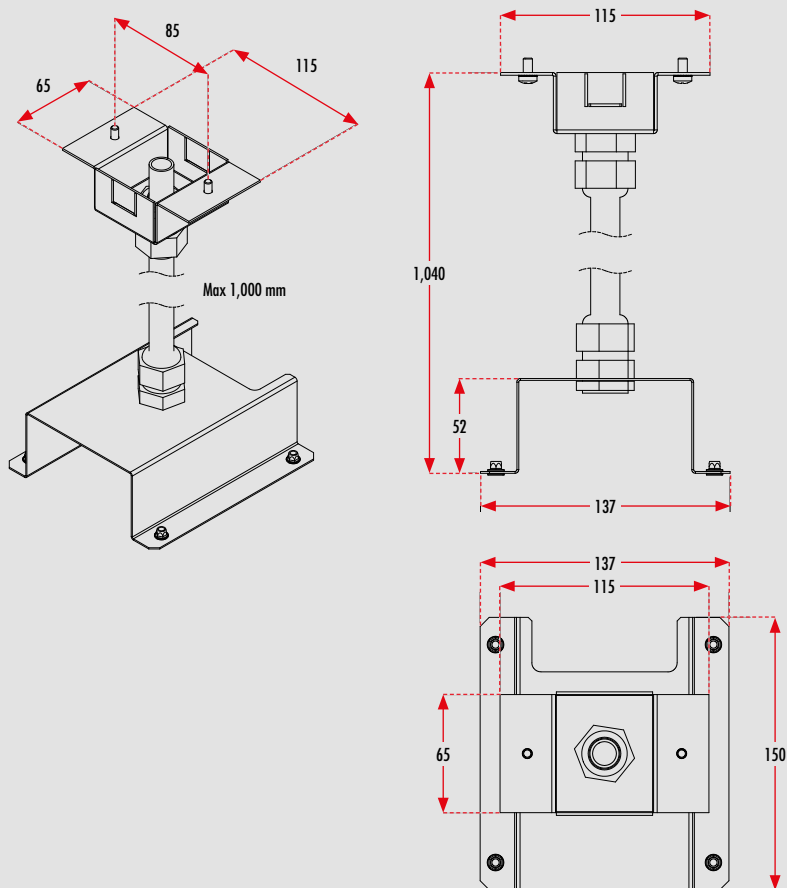
Linespot II

Accessories

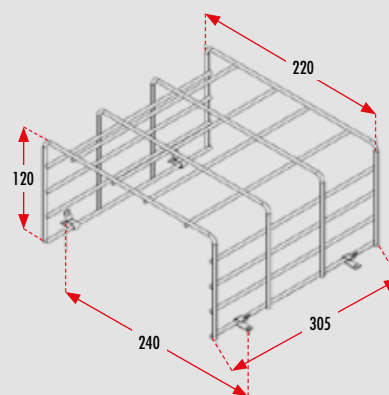
Product code	Product description
TW77504F	Suspension bracket (surface-mounted model)
TW77504FM	Suspension bracket, black (surface-mounted model)
TW77508B	Shock protecting cover (surface-mounted model)
TMT389	Gasket ring (recess-mounted model)
TWT9202	Wall bracket (surface-mounted model)
TWT9202M	Wall bracket, black (surface-mounted model)

Dimensions [mm]

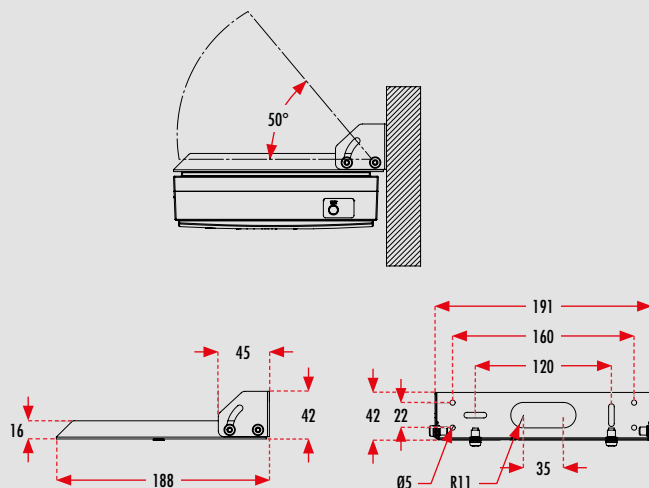
TW77504F(M) | Suspension bracket



TW77508B | Shock protecting cover

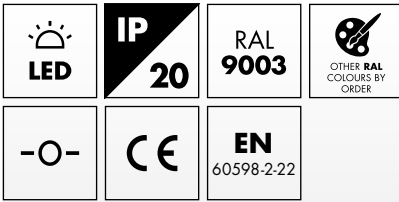


TWT9202(M) | Wall bracket



Linespot

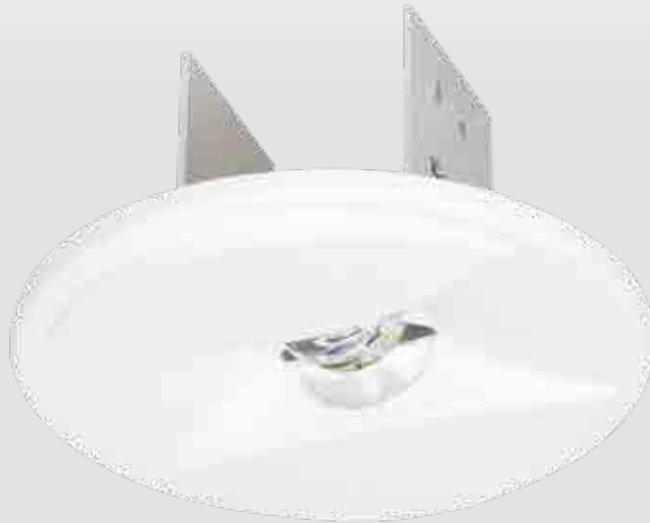
Centrally supplied emergency light for escape routes



Recess-mounted emergency light designed especially for high corridors

Teknoware Linespot provide a long and narrow light pattern that illuminates escape routes efficiently. Efficient optics enable mounting distances of up to 21 metres. Thanks to its compact size, the round recess-mounted model blends in with the surroundings and architecture. The aperture for recess mounting is 75 mm.

The standard colour of the Linespot is white (RAL 9003). Other RAL colours are available upon special order.



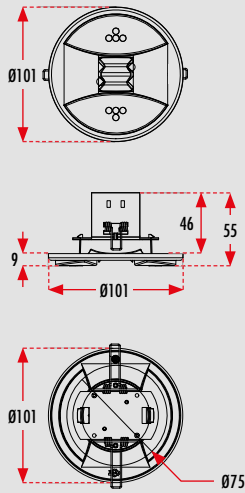
- **For escape routes**
A long and narrow light pattern that illuminates escape routes efficiently.
- **Long mounting distances**
Efficient optics enable mounting distances of up to 21 metres.

- **Mounting height**
Up to 10 metres.
- **Discreet**
Recessed emergency light blends seamlessly into the ceiling.



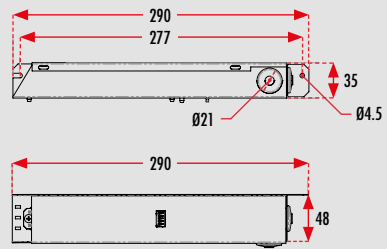
Dimensions [mm]

Linespot | Luminaire *



* Aperture $\varnothing 75$ mm. Mounted with springs that are part of the product.

TWT5051WK | Electronics unit

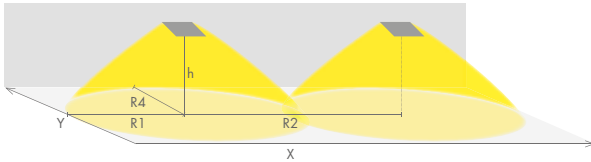


Addressable 230 V centrally supplied emergency lights



Shape/colour	Mounting	Product code	Nominal supply voltage	Max. input power during charging	Luminous flux	Operating temperature	Electrical installation	Protection class	Weight
○	Recess	TWT5051WK	220–240 V 50/60 Hz AC, DC	10 VA / 5.5 W	265 lm	–30...+50°C	3 x 2.5 mm ²	1	0.4 kg

Light distribution | Emergency lighting for escape routes (ceiling mounting)



- 1 lux table for the center line of an escape route, in accordance with EN 1838.
- Level of measurement 0.02 m, measurement result with battery operation.
- R1** distance from wall, X axis
- R2** mounting distance, X axis
- R4** distance from wall, Y axis

TWT5051WK

Mounting height (m)	Below the light (lx)	R1 (m)	R2 (m)	R4 (m)
		1 lx	1 lx	1 lx
2.5	40	5	11	1
4	15	6.5	17	1
6	6	7.5	20	1
8	3.5	7	21	1
10	2	6.5	21	1

Easy: Line Lowbay

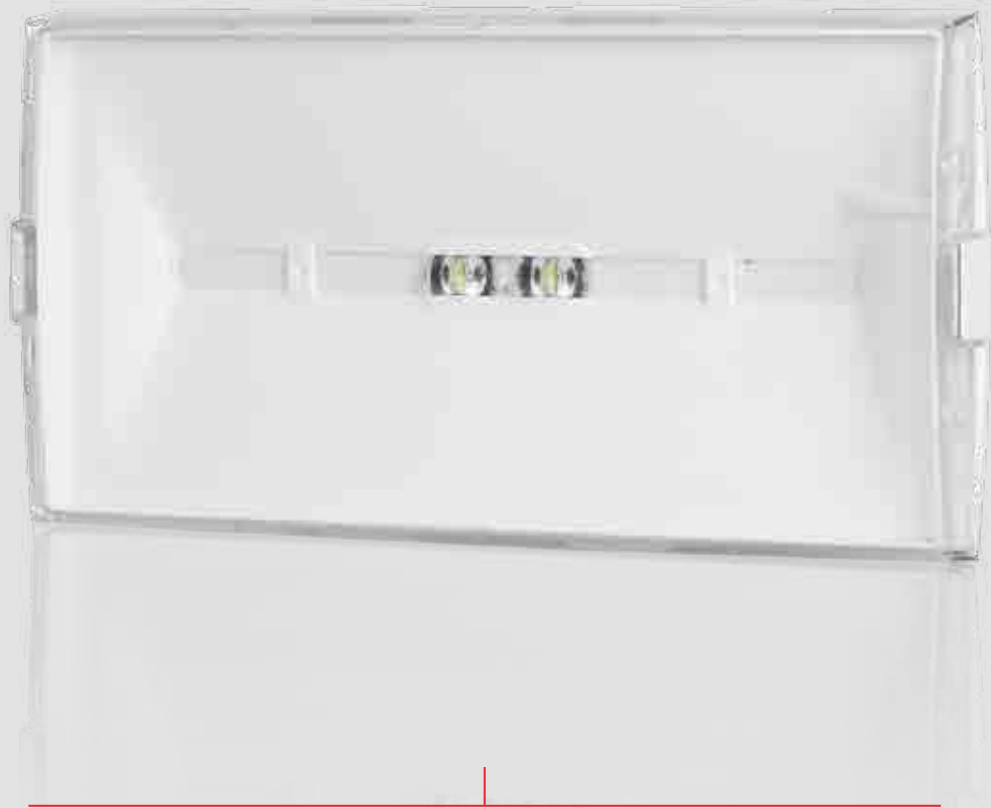
Centrally supplied emergency
light for escape routes



Surface- or recess-mounted emergency light

The Teknoware Easy Line Lowbay provides a long and narrow light pattern that illuminates escape routes efficiently. Thanks to its practical design, the Easy Line Lowbay can be easily surface or recess mounted. It can also be suspension mounted on the ceiling with a separate bracket.

The luminaires in the Easy product family are all built in the same frame. The Easy product family is an ideal choice when you want a single lighting design for your entire property's emergency lighting needs. The standard colour is white (RAL 9003), other RAL colours are available upon special order.

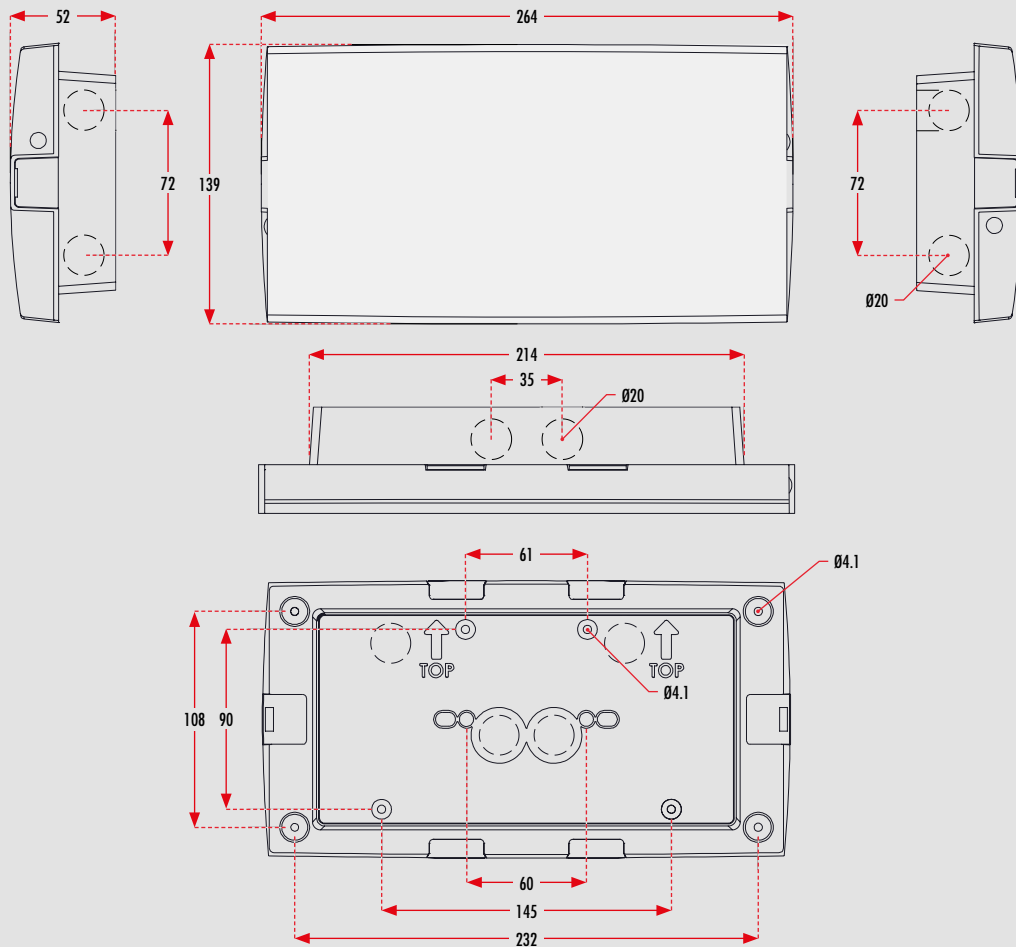


- **For escape routes**
A long and narrow light pattern that illuminates escape routes efficiently.
- **Dust- and water-resistant**
The frame is made from strong plastic, and the luminaire is IP40 rated (* IP54 with a separate gasket).
- **Mounting height**
up to 4 metres.
- **Versatile mounting options**
Surface or semi-recessed mounting as standard. Ceiling, recess, suspension and flag mounting with a separate bracket / frame.

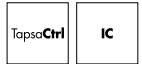


Dimensions [mm]

Easy | Luminaire

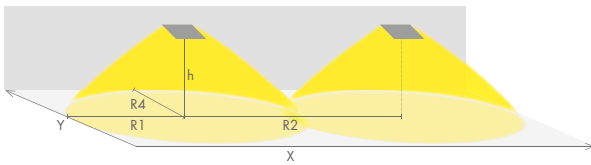


Addressable 230 V centrally supplied emergency lights



Product code	Nominal supply voltage	Max. input power	Luminous flux	Operating temperature	Electrical installation	Protection class	Weight
TWTB251WK	220–240 V 50/60 Hz AC, DC	7.2 VA / 3.6 W	170 lm	–30...+50°C	2/3 x 2.5 mm ²	2	0.45 kg

Light distribution | Emergency lighting for escape routes (ceiling mounting)



- 1 lux table for the centre line of an escape route, in accordance with EN 1838.
- Level of measurement 0.02 m, measurement results in emergency mode.

R1 distance from wall, X axis

R2 mounting distance, X axis

R4 distance from wall, Y axis

TWTB251WK

Mounting height (m)	Below the light (lx)	R1 (m)	R2 (m)	R4 (m)
		1 lx	1 lx	1 lx
2.5	6.5	7	17	1
3	4.5	8	19	1
4	2.5	8	23	1

Accessories

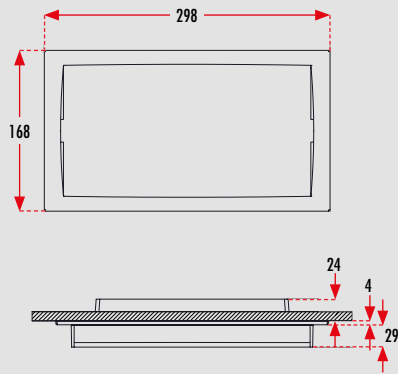
Product code	Product description
TWTB101	Recess mounting frame
TWTB105	Suspension bracket
TW77508B	Shock protecting cover
TWTB110	IP54 gasket

Easy: Line

Accessories

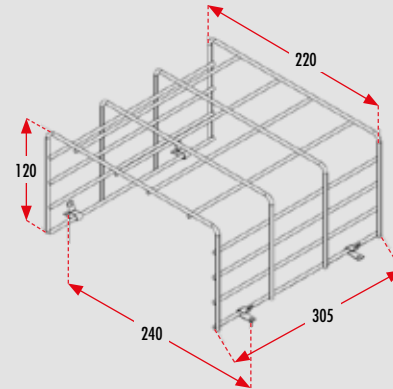
Dimensions [mm]

TWTB101 | Recess mounting frame

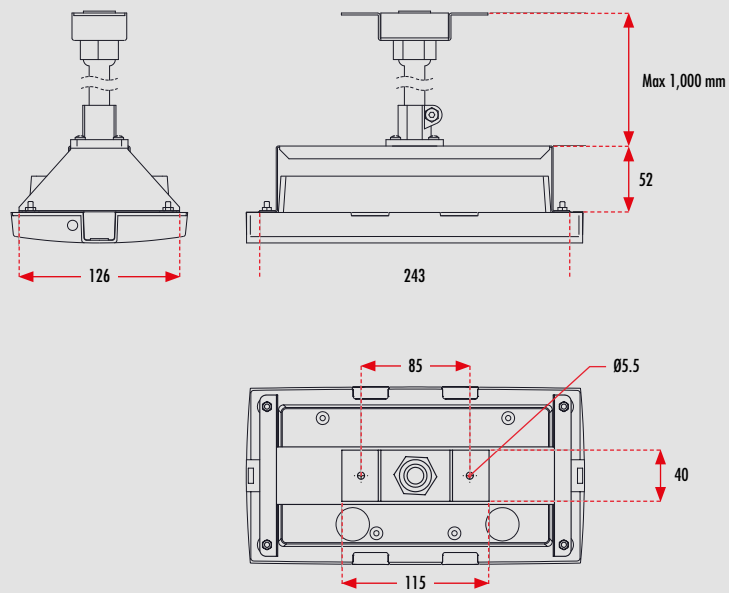


* Aperture for recess mounting 215 mm x 111 mm.

TW77508B | Shock protecting cover



TWTB105 | Suspension bracket





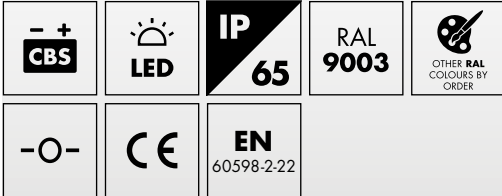
Solid: Line Lowbay Line Midbay

Centrally supplied emergency light for escape routes

Durable emergency light for industrial sites and parking halls

The Teknoware Solid is a fully dustproof and water-resistant IP65-rated emergency light. It is suitable for demanding conditions, such as industrial facilities and parking halls, and for outdoor use.

The Solid Line Lowbay and Line Midbay emergency lights provide a long and narrow light pattern that lights escape routes efficiently. The standard colour is white (RAL 9003), other RAL colours are available upon special order.



- **For escape routes**
A long and narrow light pattern that illuminates escape routes efficiently.
- **Mounting height**
up to 16 metres.
- **Dustproof and water-resistant**
IP 65.
- **For demanding conditions**
Industrial facilities, parking halls and outdoor use.



HIGHLIGHTS



DEMANDING
CONDITIONS



VERSATILE OPTICS



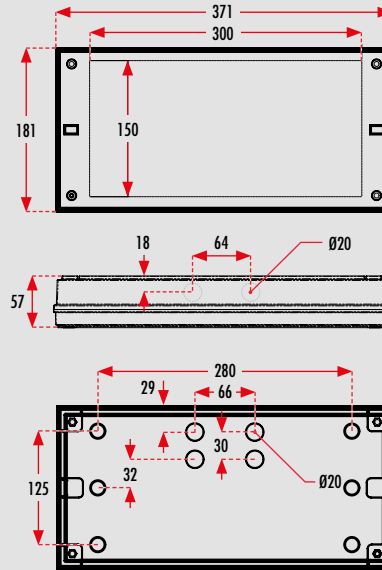
INDOOR AND
OUTDOOR USE



DUSTPROOF AND
WATER-RESISTANT

Dimensions [mm]

Solid | Luminaire



Solid: Line Lowbay

Addressable 230 V centrally supplied emergency lights



Product code	Nominal supply voltage	Max. input power	Luminous flux	Operating temperature	Electrical installation	Protection class	Weight
TWT4251WK	220–240 V 50/60 Hz AC	10 VA / 6 W	280 lm	–30...+50°C	2/3 x 2.5 mm ²	2	1.1 kg

Non-addressable 24–230 V centrally supplied emergency lights

Product code	Nominal supply voltage	Max. input power	Luminous flux	Operating temperature	Electrical installation	Protection class	Weight
TWT4271W	24–230 V 50/60 Hz AC, DC	24 V = 7.8 VA / 5.5 W 230 V = 14.5 VA / 6.5 W	280 lm	–30...+50°C	24 V = 2 x 2.5 mm ² 230 V = 2/3 x 2.5 mm ²	3 2	1.1 kg

Addressable 24 V centrally supplied emergency lights



Product code	Nominal supply voltage	Max. input power	Luminous flux	Operating temperature	Electrical installation	Protection class	Weight
TWT4241WK	24 V 50/60 Hz AC, DC	3.4 VA / 3.4 W	280 lm	–30...+50°C	2/3 x 2.5 mm ²	3	1.1 kg

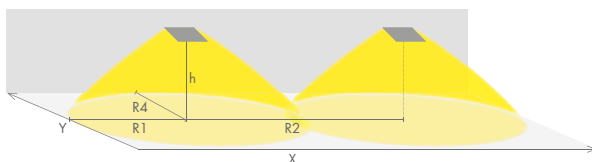
Individually packed addressable 230 V centrally supplied emergency lights

Product code	Luminaire
Y4251WK	TWT4251WK

Individually packed non-addressable 24–230 V centrally supplied emergency lights

Product code	Luminaire
Y4271W	TWT4271W

Light distribution | Emergency lighting for escape routes (ceiling mounting)



- 1 lux table for the centre line of an escape route, in accordance with EN 1838.
- Level of measurement 0.02 m, measurement results in emergency mode.

R1 distance from wall, X axis

R2 mounting distance, X axis

R4 distance from wall, Y axis

TWT4251WK, TWT4241WK, TWT4271W

Mounting height (m)	Below the light (lx)	R1 (m)	R2 (m)	R4 (m)
		1 lx	1 lx	1 lx
2.5	10	8	19	1
3	6.5	9	22	1
4	3.5	11	27	1

Solid: Line Midbay

Addressable 230 V centrally supplied emergency lights



Product code	Nominal supply voltage	Max. input power	Luminous flux	Operating temperature	Electrical installation	Protection class	Weight
TWT4351WK	220–240 V 50/60 Hz AC, DC	10 VA / 6 W	300 lm	–30...+50°C	2/3 x 2.5 mm ²	2	1.1 kg
TWT4351WKH *	220–240 V 50/60 Hz AC, DC	14 VA / 8.5 W	440 lm	–30...+50°C	2/3 x 2.5 mm ²	2	1.1 kg

* Highoutput model with a higher luminous flux

Non-addressable 24–230 V centrally supplied emergency lights

Product code	Nominal supply voltage	Max. input power	Luminous flux	Operating temperature	Electrical installation	Protection class	Weight
TWT4371W	24–230 V 50/60 Hz AC, DC	24 V = 7.5 VA / 4.5 W 230 V = 10 VA / 5 W	300 lm	–30... +50°C	24 V = 2 x 2.5 mm ² 230 V = 2/3 x 2.5 mm ²	3 2	1.1 kg

Addressable 24 V centrally supplied emergency lights



Product code	Nominal supply voltage	Max. input power	Luminous flux	Operating temperature	Electrical installation	Protection class	Weight
TWT4341WK	24 V 50/60 Hz AC, DC	3.4 VA / 3.4 W	300 lm	–30...+50°C	2/3 x 2.5 mm ²	3	1.1 kg

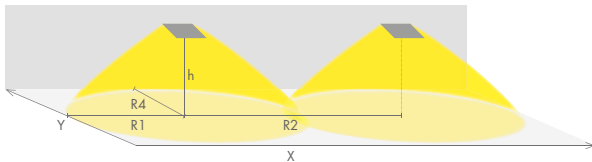
Individually packed addressable 230 V centrally supplied emergency lights

Product code	Luminaire
Y4351WK	TWT4351WK

Individually packed non-addressable 24–230 V centrally supplied emergency lights

Product code	Luminaire
Y4371W	TWT4371W

Light distribution | Emergency lighting for escape routes (ceiling mounting)



- 1 lux table for the centre line of an escape route, in accordance with EN 1838.
- Level of measurement 0.02 m, measurement results in emergency mode.

R1 distance from wall, X axis

R2 mounting distance, X axis

R4 distance from wall, Y axis

TWT4351WK, TWT4341WK, TWT4371W

Mounting height (m)	Below the light (lx)	R1 (m)	R2 (m)	R4 (m)
		1 lx	1 lx	1 lx
2.5	57	5	12	1
3	39	5.5	14	1
4	22	6	16	1
6	9.5	7	20	1
8	5	8	20	1
10	3	9	21	1
12	2.5	9	21	1

TWT4351WKH

Mounting height (m)	Below the light (lx)	R1 (m)	R2 (m)	R4 (m)
		1 lx	1 lx	1 lx
3	59	5.5	14	1
4	33	6	16	1
6	15	7	20	1
8	9	8	20	1
10	6	9	21	1
12	4	10	22	1
14	2.5	9.5	20	1
16	1.5	8.5	18	1

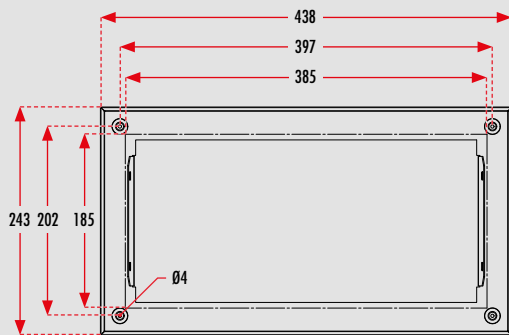
Solid

Accessories

Product code	Product description
TWT3001	Recess mounting frame
TWT3002	Wall bracket
TWT3006	Suspension bracket
TWT3007	Protective cover

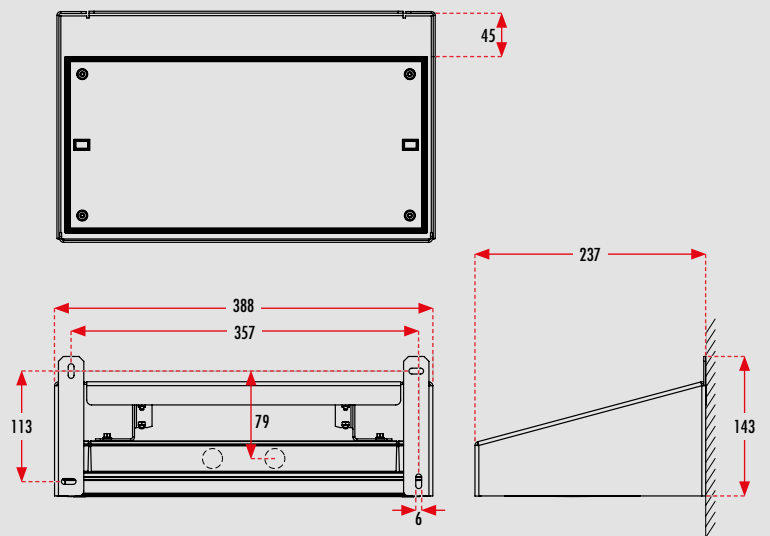
Dimensions [mm]

TWT3001 | Recess mounting frame

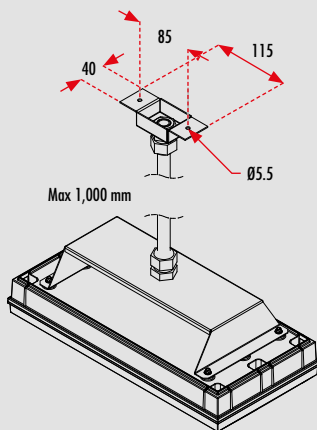


* Aperture for recess mounting 185 mm x 385 mm.

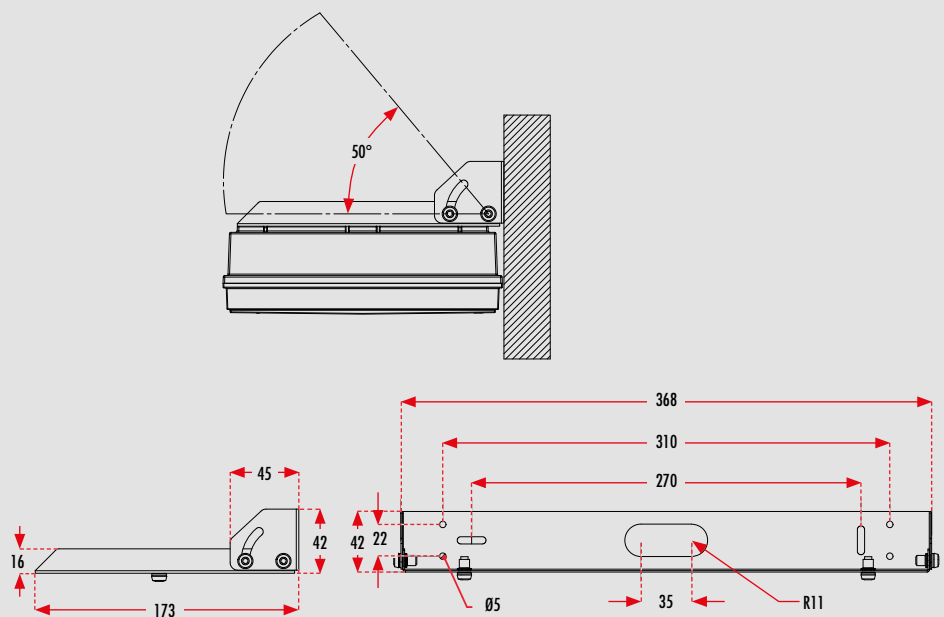
TWT3007 | Protective cover



TWT3006 | Suspension bracket



TWT3002 | Wall bracket



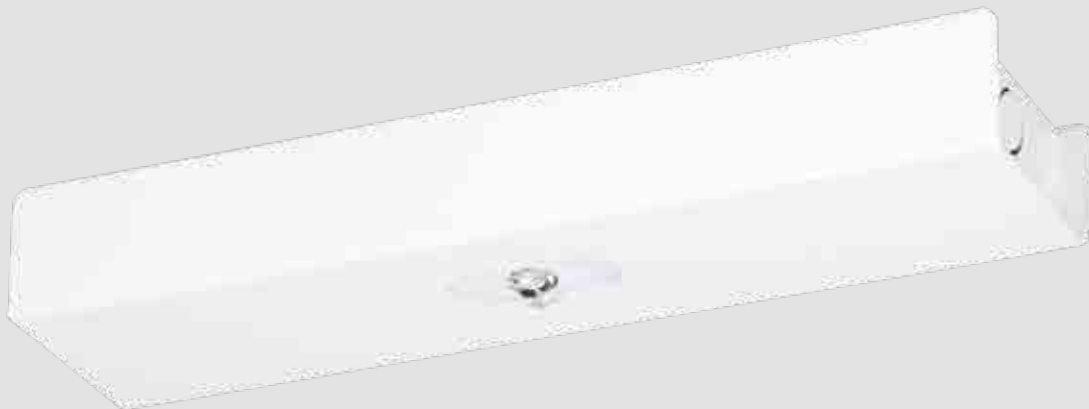
Trail: Line Lowbay Line Midbay

Centrally supplied emergency light for escape routes

A streamlined emergency light that is easy to mount on a track

The Teknoware Trail is an emergency light that can be mounted on a lighting track and is Global Trac compatible with a separate adapter. The body is made of metal, and it can also be mounted on the ceiling without a lighting track. The streamlined emergency light blends well into its surroundings and the architecture.

The Trail Line Lowbay and Line Midbay emergency lights provide a long and narrow light pattern that illuminates escape routes efficiently. The versatile Trail product family has plenty of options for different applications and systems. The standard colour is white (RAL 9003), other RAL colours are available upon special order.



- **For escape routes**
A long and narrow light pattern that illuminates exit routes efficiently.
- **Easy to install**
Surface mounting on a lighting track or ceiling as default. Mounting on Global Trac with an accessory.
- **Mounting height**
up to 10 metres.



HIGHLIGHTS



OPTIMISED FOR TRACK MOUNTING



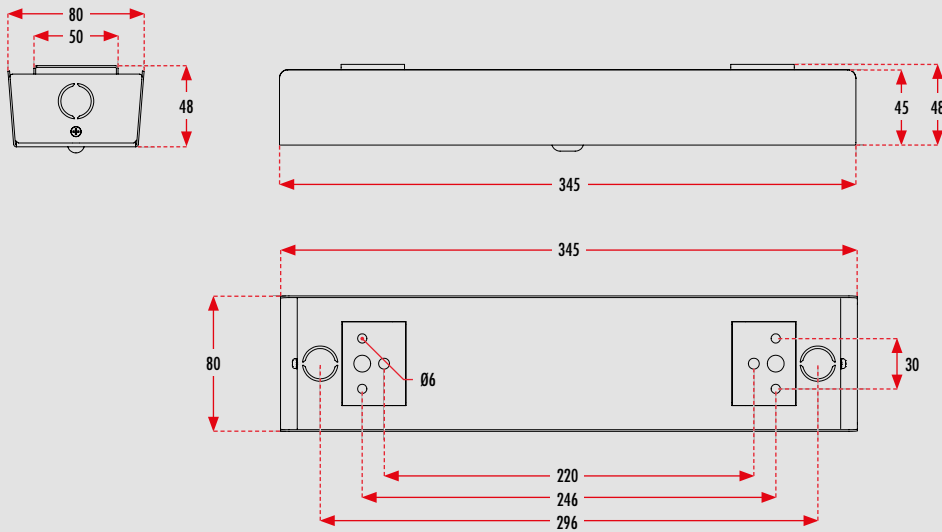
VERSATILE OPTICS



METAL BODY

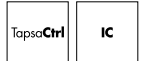
Dimensions [mm]

Trail | Luminaire



Trail: Line Lowbay

Addressable 230 V centrally supplied emergency lights

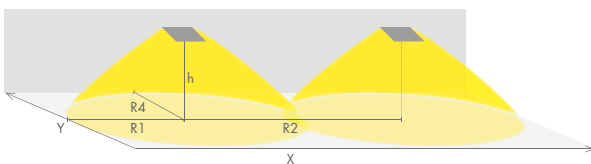


Product code	Nominal supply voltage	Max. input power	Luminous flux	Operating temperature	Electrical installation	Protection class	Weight
TWTC151WK	220–240 V 50/60 Hz AC, DC	10 VA / 5.5 W	230 lm	–30...+50°C	3 x 2.5 mm ²	1	0.9 kg

Non-addressable 24–230 V centrally supplied emergency lights

Product code	Nominal supply voltage	Max. input power	Luminous flux	Operating temperature	Electrical installation	Protection class	Weight
TWTC171W	24–230 V 50/60 Hz AC, DC	24 V = 7.5 VA / 4 W 230 V = 11 VA / 4 W	230 lm	–30...+50°C	24 V = 2 x 2.5 mm ² 230 V = 3 x 2.5 mm ²	3 1	0.9 kg

Light distribution | Emergency lighting for escape routes (ceiling mounting)



- 1 lux table for the centre line of an escape route, in accordance with EN 1838.
- Level of measurement 0.02 m, measurement results in emergency mode.

R1 distance from wall, X axis

R2 mounting distance, X axis

R4 distance from wall, Y axis

TWTC151WK, TWTC171W

Mounting height (m)	Below the light (lx)	R1 (m)	R2 (m)	R4 (m)
		1 lx	1 lx	1 lx
2.5	7.5	9	21	1
4	3	10	28	1
6	1.5	9	22	1

Trail: Line Midbay

Addressable 230 V centrally supplied emergency lights

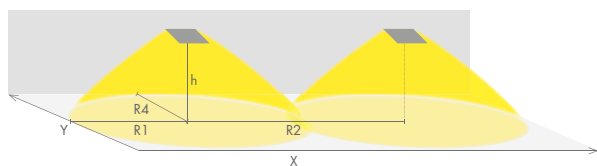


Product code	Nominal supply voltage	Max. input power	Luminous flux	Operating temperature	Electrical installation	Protection class	Weight
TWTC451WK	220–240 V 50/60 Hz AC, DC	10 VA / 5.5 W	240 lm	–30...+50°C	3 x 2.5 mm ²	1	0.9 kg

Non-addressable 24–230 V centrally supplied emergency lights

Product code	Nominal supply voltage	Max. input power	Luminous flux	Operating temperature	Electrical installation	Protection class	Weight
TWTC471W	24–230 V 50/60 Hz AC, DC	24 V = 7.5 VA / 4 W 230 V = 11 VA / 4 W	240 lm	–30...+50°C	24 V = 2 x 2.5 mm ² 230 V = 3 x 2.5 mm ²	3 1	0.9 kg

Light distribution | Emergency lighting for escape routes (ceiling mounting)



- 1 lux table for the centre line of an escape route, in accordance with EN 1838.
- Level of measurement 0.02 m, measurement results in emergency mode.

R1 distance from wall, X axis

R2 mounting distance, X axis

R4 distance from wall, Y axis

TWTC451WK, TWTC471W

Mounting height (m)	Below the light (lx)	R1 (m)	R2 (m)	R4 (m)
		1 lx	1 lx	1 lx
2.5	40	5	11	1
4	15	6.5	17	1
6	6	7.5	20	1
8	3.5	7	21	1
10	2	6.5	21	1

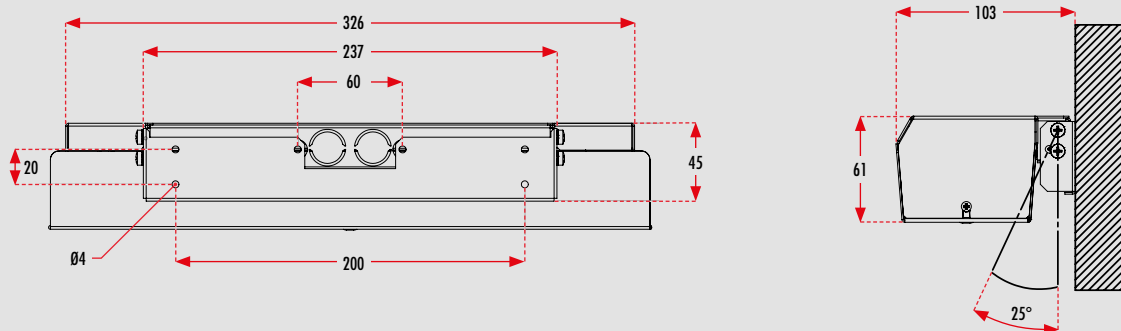
Trail

Accessories

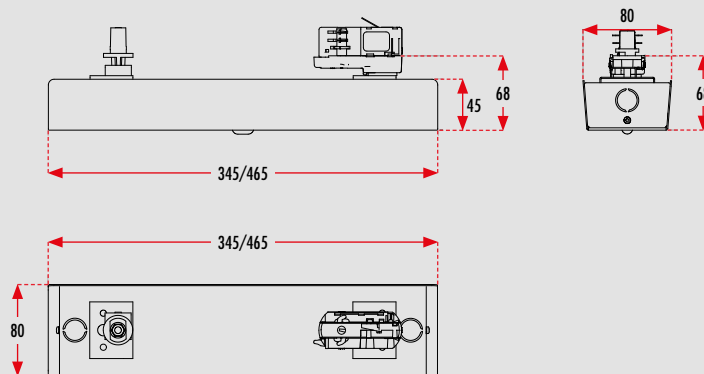
Product code	Product description
TWTC1001	Wall bracket
TWTC1000	Lighting track adapter (compatible with Global Trac)
TWTC1000B	Lighting track adapter, black (compatible with Global Trac)

Dimensions [mm]

TWTC1001 | Wall bracket



TWTC1000(B) | Lighting track adapter



Smooth: Line

Centrally supplied emergency
light for escape routes



Compact, durable and versatile outdoor emergency light

The Teknoware Smooth is a small but highly durable emergency light that is optimised for outdoor use and blends seamlessly into the architecture of the building. The Smooth Line provides a long and narrow light pattern that illuminates escape routes efficiently.

The Smooth always consists of two units: the luminaire and a separate indoor electronic unit. The product includes a 5-metre fireproof cable between the units. The luminaire is designed for surface mounting on a wall. The Smooth has an impact-resistant cast aluminium casing (IK10), and it is dustproof and water-resistant (IP65 for the visible part). The standard colour is graphite grey (RAL 7024).



For escape routes

A long and narrow light pattern that illuminates escape routes efficiently.

Mounting height

up to 4 metres.

Streamlined

Blends seamlessly into the architecture of the building.

Dustproof and water-resistant

IP 65.

Vandalism-proof

Impact-resistant cast aluminium casing (IK10).

Two units

Consists of two units: the luminaire and the electronics unit.



HIGHLIGHTS



SMALL AND
DISCREET



DEMANDING
CONDITIONS



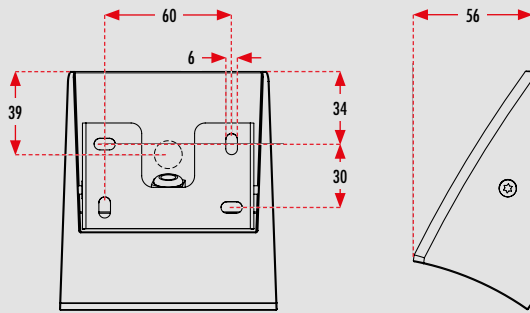
IMPACT-RESISTANT
IK10



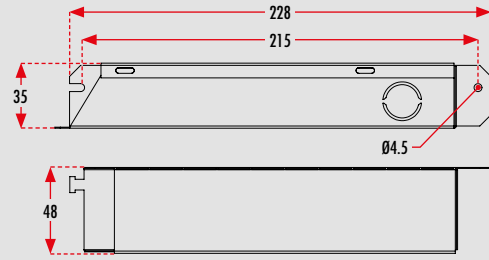
DUSTPROOF AND
WATER-RESISTANT

Dimensions [mm]

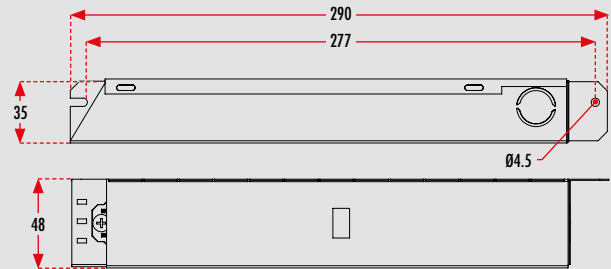
Smooth | Luminaire



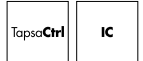
TWTC841WK | Electronics unit (IP20)



TWTC851WK | Electronics unit (IP20)



Addressable 230 V centrally supplied emergency lights



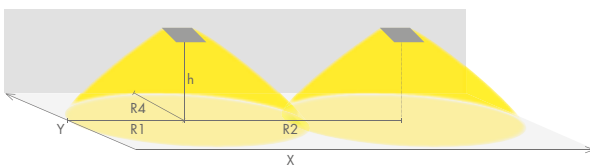
Product code	Nominal supply voltage	Max. input power	Luminous flux	Operating temperature	Electrical installation	Protection class	Weight
TWTC851WK	220–240 V 50/60 Hz AC, DC	10 VA / 5.5 W	114 lm	–30...+50°C	3 x 2.5 mm ²	1	0.8 kg

Addressable 24 V centrally supplied emergency exit lights



Product code	Nominal supply voltage	Max. input power	Luminous flux	Operating temperature	Electrical installation	Protection class	Weight
TWTC841WK	24 V 50/60 Hz AC, DC	3 VA / 3 W	114 lm	–30...+50°C	2/3 x 2.5 mm ²	3	0.8 kg

Light distribution | Emergency lighting for escape routes (ceiling mounting)



- 1 lux table for the centre line of an escape route, in accordance with EN 1838.
- Level of measurement 0.02 m, measurement results in emergency mode.

R1 distance from wall, X axis

R2 mounting distance, X axis

R4 distance from wall, Y axis

TWTC851WK, TWTC841WK

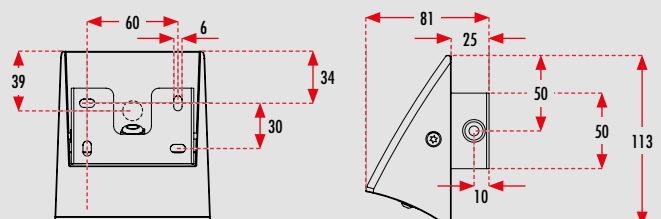
Mounting height (m)	Below the light (lx)	R1 (m)	R2 (m)	R4 (m)
		1 lx	1 lx	1 lx
2.5	4	3.5	11	1
3	2.9	2.6	10	1
4	1.5	2	9	1

Accessories

Product code	Product description
XWTA810	Surface-mounting bracket for surface-mounted cable

Dimensions [mm]

XWTA810 | Surface-mounting bracket for surface-mounted cable



Stamina:

Line Lowbay

Line Midbay

Centrally supplied emergency light for escape routes



Versatile emergency light for outdoor and industrial use and other demanding conditions

The Teknoware Stamina is a versatile and robust emergency light that has been designed to endure freezing temperatures and challenging conditions. The Stamina is particularly well suited for industrial sites, such as tunnels, parking halls and loading platforms. The Stamina Line Lowbay and Line Midbay emergency lights provide a long and narrow light pattern that illuminates escape routes efficiently.

The Stamina has an impact-resistant cast aluminium casing (IK10), and it is dustproof and water-resistant (IP65). The Stamina has a chemical-resistant glass diffusor. The Stamina can be surface-mounted on the wall or ceiling with a separate bracket or recess-mounted with a recess frame. When mounted with the wall bracket, the light is at a 20° angle. The standard colour is graphite grey (RAL 9007).



For escape routes

A long and narrow light pattern that illuminates exit routes efficiently.

Mounting height

up to 10 metres.

Dustproof and water-resistant

IP 65.

Vandalism-proof

Impact-resistant cast aluminium casing (IK10).

Weatherproof

Can be used in temperatures of between -30...+50°C.



HIGHLIGHTS



DEMANDING
CONDITIONS



IMPACT-RESISTANT
IK10



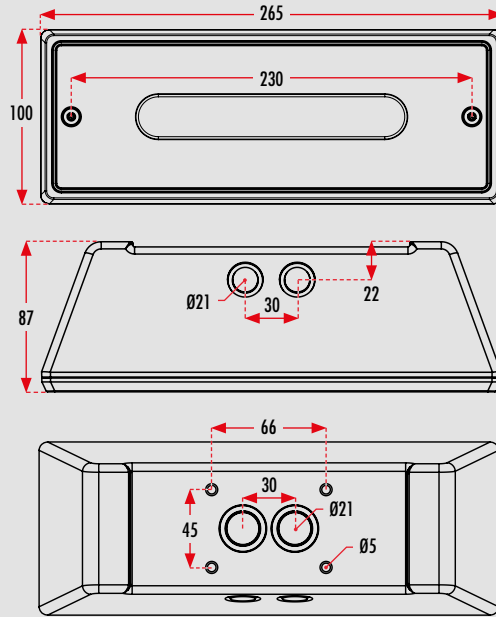
MOUNTING
HEIGHT



DUSTPROOF AND
WATER-RESISTANT

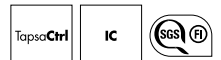
Dimensions [mm]

Stamina | Luminaire



Stamina: Line Lowbay

Addressable 230 V centrally supplied emergency lights

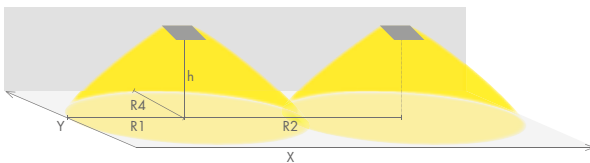


Product code	Nominal supply voltage	Max. input power	Luminous flux	Operating temperature	Electrical installation	Protection class	Weight
TWT7451WK	220–240 V 50/60 Hz AC, DC	10 VA / 6 W	170 lm	–30...+50°C	3 x 2.5 mm ²	1	1.2 kg

Non-addressable 24–230 V centrally supplied emergency lights

Product code	Nominal supply voltage	Max. input power	Luminous flux	Operating temperature	Electrical installation	Protection class	Weight
TWT7471W	24–230 V 50/60 Hz AC, DC	24 V = 7.5 VA / 4.5 W 230 V = 10 VA / 5 W	170 lm	–30...+50°C	24 V = 2 x 2.5 mm ² 230 V = 3 x 2.5 mm ²	3 1	1.2 kg

Light distribution | Emergency lighting for escape routes (ceiling mounting)



- 1 lux table for the centre line of an escape route, in accordance with EN 1838.
- Level of measurement 0.02 m, measurement results in emergency mode.

R1 distance from wall, X axis

R2 mounting distance, X axis

R4 distance from wall, Y axis

TWT7451WK, TWT7471W

Mounting height (m)	Below the light (lx)	R1 (m)	R2 (m)	R4 (m)
		1 lx	1 lx	1 lx
2.5	6	8	18	1
3	4	8.5	21	1
4	2	9	24	1

Stamina: Line Midbay

Addressable 230 V centrally supplied emergency lights

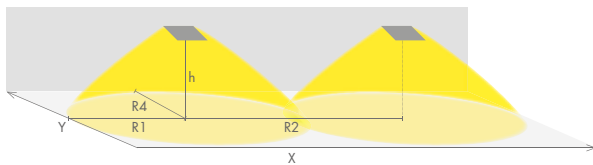


Product code	Nominal supply voltage	Max. input power	Luminous flux	Operating temperature	Electrical installation	Protection class	Weight
TWT7951WK	220–240 V 50/60 Hz AC, DC	10 VA / 6 W	215 lm	–30...+50°C	3 x 2.5 mm ²	1	1.2 kg

Non-addressable 24–230 V centrally supplied emergency lights

Product code	Nominal supply voltage	Max. input power	Luminous flux	Operating temperature	Electrical installation	Protection class	Weight
TWT7971W	24–230 V 50/60 Hz AC, DC	24 V = 7.5 VA / 4,5 W 230 V = 10 VA / 5 W	215 lm	–30...+50°C	24 V=2 x 2.5 mm ² 230 V=3 x 2.5 mm ²	3 1	1.2 kg

Light distribution | Emergency lighting for escape routes (ceiling mounting)



- 1 lux table for the centre line of an escape route, in accordance with EN 1838.
- Level of measurement 0.02 m, measurement results in emergency mode.

R1 distance from wall, X axis

R2 mounting distance, X axis

R4 distance from wall, Y axis

TWT7951WK, TWT7971W

Mounting height (m)	Below the light (lx)	R1 (m)	R2 (m)	R4 (m)
		1 lx	1 lx	1 lx
2.5	41	5	12.5	1
3	28	5.5	13.5	1
4	16	6	15	1
6	6.5	6.5	16	1
8	3.5	7	17	1
10	2	7.5	19.5	1

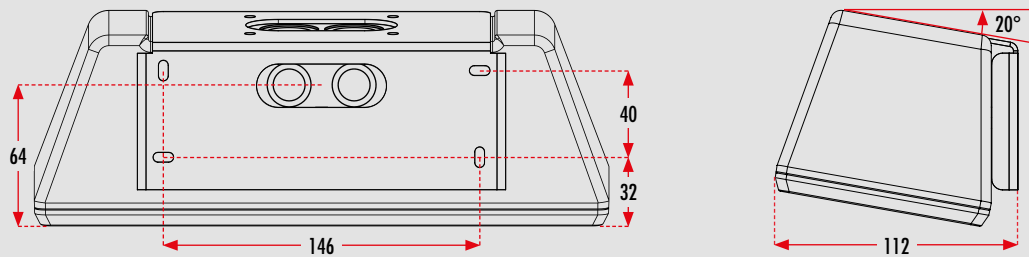
Stamina

Accessories

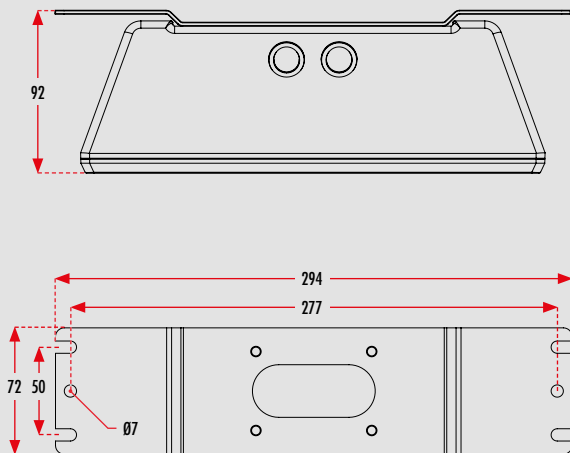
Product code	Product description
XWT5210	Wall bracket
XWT5211	Ceiling bracket
XWT5213	Recess mounting frame

Dimensions [mm]

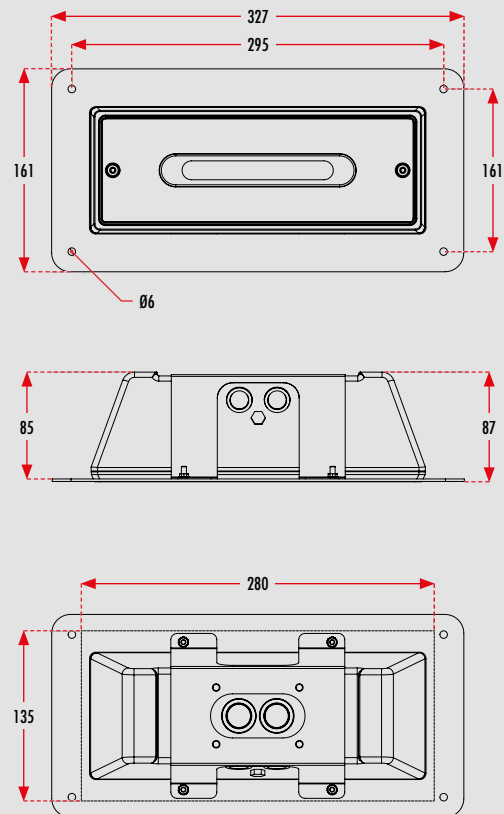
XWT5210 | Wall bracket



XWT5211 | Ceiling bracket



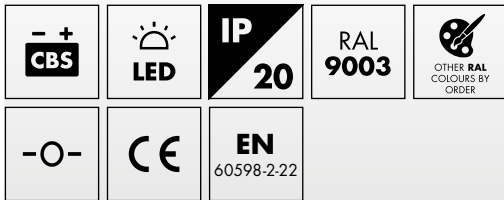
XWT5213 | Recess mounting frame *



* Aperture for recess mounting 135 mm x 280 mm.

Slimspot II: Angle

Centrally supplied
emergency light for points
of emphasis



Discreet emergency light for illuminating first aid and first response equipment

The Teknoware Slimspot II Angle is used for illuminating points of emphasis (for example, fire response equipment, alarm points, first aid kits and cabinets) with a vertical illuminance level of 5 lux providing an asymmetrical light pattern, in accordance with the EN 1838 standard.

Thanks to its compact size, the emergency light blends seamlessly into the architecture of the space. The extensive Slimspot II product and optics range offers several ways to illuminate areas of all types and sizes. The Slimspot II has a durable metal body, and it is designed for indoor use.

The standard colour is white (RAL 9003). Other RAL colours are available upon special order. The Slimspot II includes a luminaire and one electronics unit. The product is delivered with the 900-mm connection cable between the light and the electronic unit.



For first aid and fire response equipment

Illuminance level 5 lux, in accordance with EN 1838.

Asymmetrical light pattern

Angle 45°.

Elegant

Minimalist and classic design.

Discreet

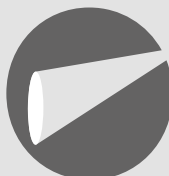
Recessed emergency light blends seamlessly into the ceiling.



HIGHLIGHTS



SMALL AND
DISCREET



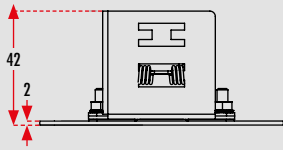
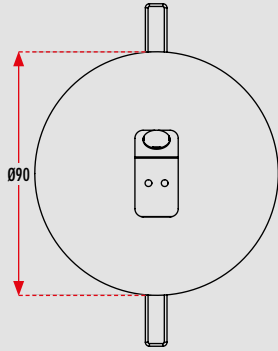
POINTS OF
EMPHASIS



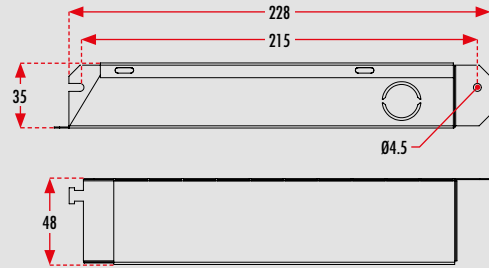
EXTENSIVE
PRODUCT RANGE

Dimensions [mm]

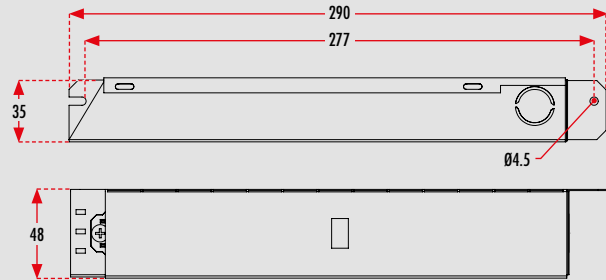
Slimspot II: Angle | Luminaire *



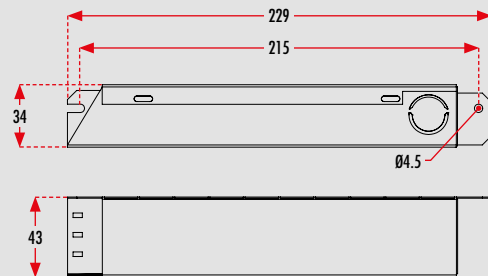
TWTxx41WK | Electronics unit



TWTxx51WK | Electronics unit



TWTxx71W | Electronics unit



* Aperture \varnothing 75 mm. Mounted with springs that are part of the product.

Addressable 230 V centrally supplied emergency lights



Product code	Nominal supply voltage	Max. input power	Luminous flux	Operating temperature	Electrical installation	Protection class	Weight
TWTD151WK	220–240 V 50/60 Hz AC, DC	10 VA / 5.5 W	150 lm	–30...+50°C	3 x 2.5 mm ²	1	0.4 kg

Non-addressable 24–230 V centrally supplied emergency lights

Product code	Nominal supply voltage	Max. input power	Luminous flux	Operating temperature	Electrical installation	Protection class	Weight
TWTD171W	24–230 V 50/60 Hz AC, DC	24 V = 7.5 VA / 4 W 230 V = 11 VA / 4 W	150 lm	–30...+50°C	24 V = 2 x 2.5 mm ² 230 V = 3 x 2.5 mm ²	3 1	0.4 kg

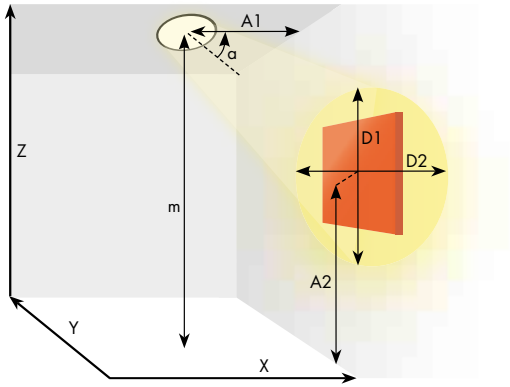
Addressable 24 V centrally supplied emergency exit lights



Product code	Nominal supply voltage	Max. input power	Luminous flux	Operating temperature	Electrical installation	Protection class	Weight
TWTD141WK	24 V 50/60 Hz AC, DC	3 VA / 3 W	150 lm	–30...+50°C	2 x 2.5 mm ²	3	0.4 kg

Slimspot II: Angle

Light distribution | Asymmetrical light



- Light pattern where the vertical illuminance level is at least 5 lux.
- Level of measurement 0.02 m, measurement results in emergency mode.

A1 distance from wall, X axis

A2 distance from wall, Z axis

D1 light pattern width, Y axis

D2 light pattern height, Z axis

α 45°

TWTD151WK, TWTD171W, TWTD141WK

Mounting height (m)	A1 (m)	A2 (m)	D1 (m)	D2 (m)
			5 lx	5 lx
2.5	1	1.2	2.1	2.4
2.5	1.5	1	2.4	2.3
2.5	2	1	2.6	2.1
3	1	1.8	2.1	2.3
3	1.5	1.5	2.4	2.7
3	2	1.3	2.7	2.6
4	2.5	1.8	2.8	3.3
4	3	1.6	2.8	3.1
4	3.5	1.4	2.6	2.8



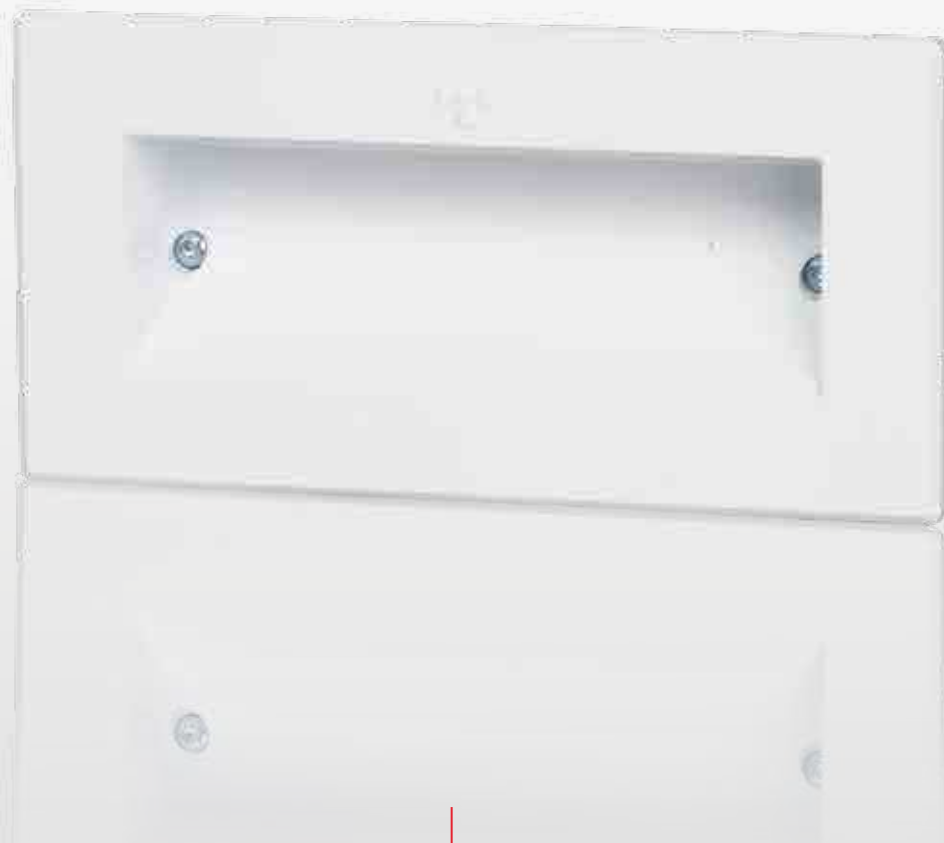
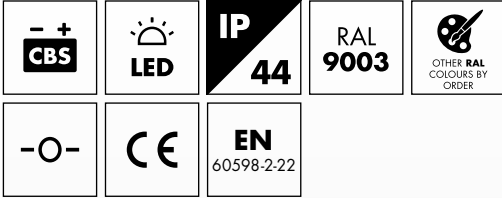
Step

Centrally supplied
emergency light for
points of emphasis

Teknoware Step is an emergency light for floor level installation

Step is recess wall mounted emergency light specifically designed to illuminate stairs or other points of emphasis. It is well suited to, for example, theatres and hospitals, where there is a specific need to keep the emergency lighting close to floor level.

The Step has a cast aluminium frame, and its standard colour is white (RAL 9003). Other RAL colours are available upon special order.

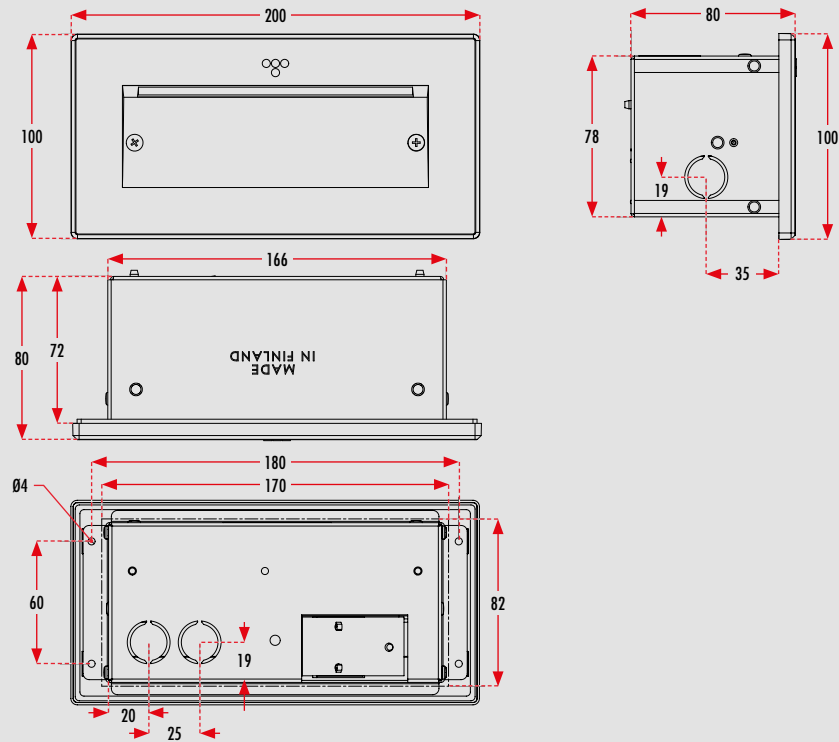


- **For illuminating points of emphasis**
To be used e.g. for illuminating stairs.
- **Inconspicuous**
Blends well into its surroundings, thanks to its stylish design.
- **Cast aluminium frame**
The standard colour is white (RAL 9003); other RAL colours are available upon order.
- **Mounting height**
0.3 metres, i.e. can be installed close to the floor.



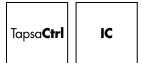
Dimensions [mm]

Step | Luminaire *



* Aperture for recess mounting
82 mm x 170 mm.

Addressable 230 V centrally supplied emergency lights



Product code	Nominal supply voltage	Max. input power	Luminous flux	Operating temperature	Electrical installation	Protection class	Weight
TWT1651WK	220–240 V 50/60 Hz AC, DC	10 VA / 5.5 W	110 lm	–30...+50°C	3 x 2.5 mm ²	1	0.8 kg

Non-addressable 24–230 V centrally supplied emergency lights

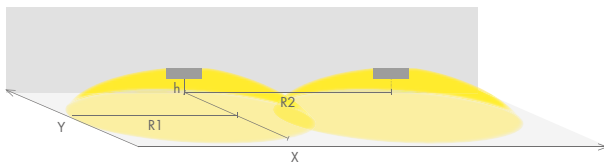
Product code	Nominal supply voltage	Max. input power	Luminous flux	Operating temperature	Electrical installation	Protection class	Weight
TWT1671W	24–230 V 50/60 Hz AC, DC	24 V = 7.5 VA / 4 W 230 V = 11 VA / 4 W	110 lm	–30...+50°C	24 V = 2 x 2.5 mm ² 230 V = 3 x 2.5 mm ²	3 1	0.8 kg

Addressable 24 V centrally supplied emergency lights



Product code	Nominal supply voltage	Max. input power	Luminous flux	Operating temperature	Electrical installation	Protection class	Weight
TWT1641WK	24 V 50/60 Hz AC, DC	3.0 VA / 3.0 W	110 lm	–30...+50°C	3 x 2.5 mm ²	3	0.8 kg

Light distribution | Emergency lighting for escape routes (ceiling mounting)



- 1 lux table for the centre line of an escape route, in accordance with EN 1838.
- Level of measurement 0.02 m, measurement results in emergency mode.

R1 distance from wall, X axis

R2 mounting distance, X axis

TWT1651WK, TWT1641WK, TWT1671W

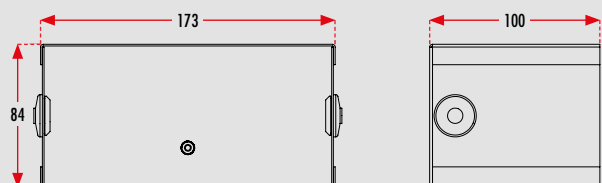
Mounting height (m)	Below the light (lx)	R1 (m)	R2 (m)
		1 lx	1 lx
0.3	250	1.5	4

Optional accessories

Product code	Product description
TWT1601	Concrete casting enclosure

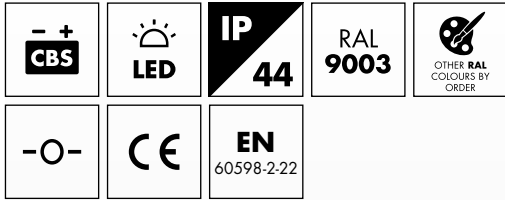
Dimensions [mm]

TWT1601 | Concrete Casting Enclosure



Find

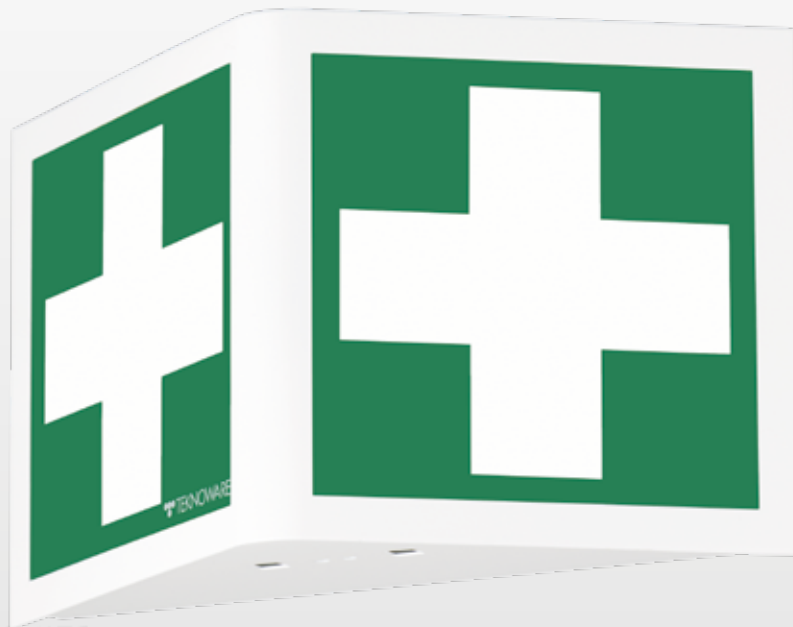
Centrally supplied
emergency light for
points of emphasis



Combination luminaire that highlights and illuminates first aid and fire response equipment

The Teknoware Find helps you to find the first aid and fire response equipment in the vicinity. In the case of a power outage, the inbuilt emergency light illuminates the first aid or fire response equipment with an illuminance level of 5 lux. The Find has an IP rating of IP44.

The Find is available with a range of standard pictograms and customised pictograms upon order. The frame is made of powder-coated steel, and the standard colour is white (RAL 9003). Other RAL colours are available upon special order. The Find is always wall mounted as a default.

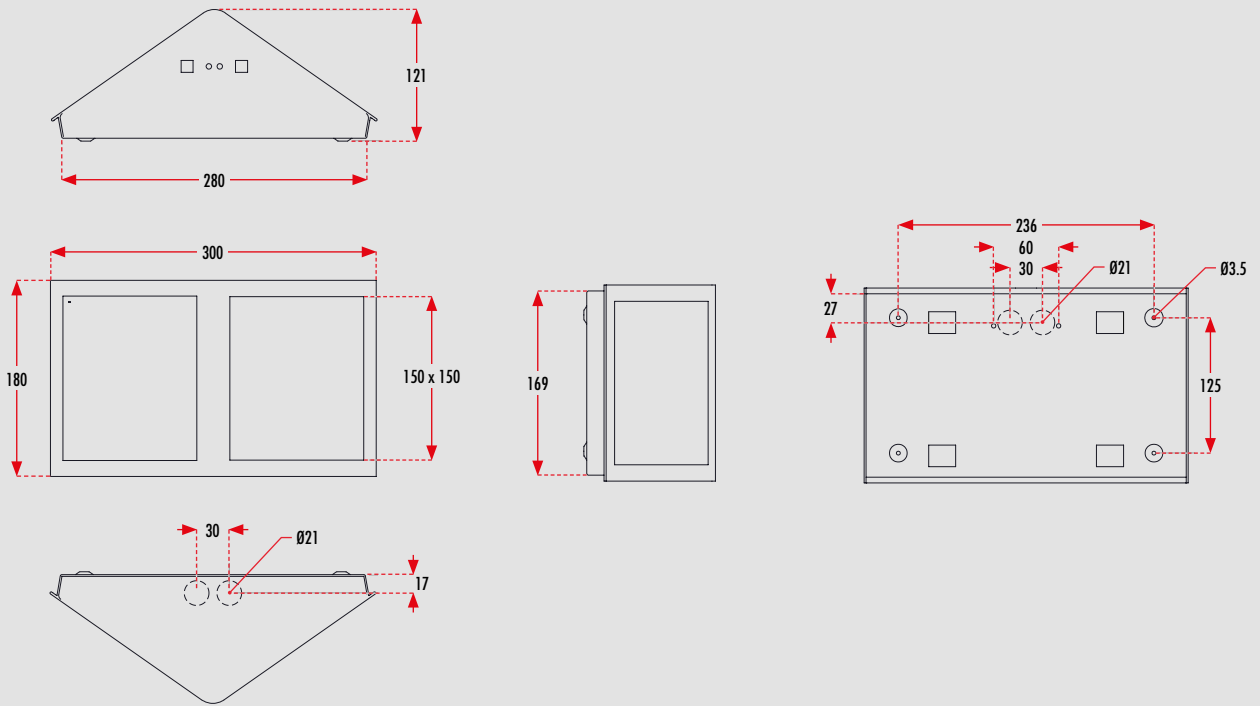


- **For first aid and fire response equipment**
Illuminance level 5 lux.
- **Combination light**
Emergency sign light with an inbuilt down light.
- **Wide range of pictograms**
Several standard pictograms, custom pictograms available upon request.
- **Painted steel frame**
The standard colour is white (RAL 9003), other RAL colours are available upon order.
- **Viewing angle 180°**
Visible from the front and from both sides.
- **Splash-resistant**
IP 44.

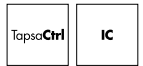


Dimensions [mm]

Find | Luminaire



Addressable 230 V centrally supplied emergency lights



Product code	Nominal supply voltage	Max. input power	Luminous flux	Operating temperature	Electrical installation	Protection class	Weight
TWTA351WK	220-240 V 50/60 Hz AC, DC	6.5 VA / 3.5 W	24 lm	-30...+50°C	3 x 2.5 mm ²	1	1.7 kg

Separately ordered pictograms

Product code	Pictogram	Product description
PBA3E003		First aid pictogram
PBA3E004		Emergency telephone pictogram
PBA3E010		Automatic external pacer pictogram
PBA3E012		Emergency sprinkler pictogram

Product code	Pictogram	Product description
PBA3F001		Extinguisher pictogram
PBA3F002		Quick fire hydrant pictogram
PBA3F005		Fire alarm button pictogram
PBA3F006		Fire alarm telephone pictogram

| The product is two-sided and requires two pictograms



208

AaltoCtrl enables wireless remote monitoring of self-contained luminaires locally or as a cloud service – whichever you prefer.



216

Learn more about our self-contained emergency exit lights from page 216 onwards.



258

Our selection of self-contained luminaires includes suitable solutions for every project.



206

The Escap self-contained luminaires are an environmentally friendly way to implement emergency lighting.



SELF-CONTAINED SYSTEMS AND LUMINAIRES.

Selection tables

Self-contained luminaires with supercapacitor and wireless remote monitoring	188
Self-contained luminaires with supercapacitor	192
Self-contained luminaires with batteries and wireless remote monitoring	196
Self-contained luminaires with batteries	200

Self-contained system and technologies 204

Escap self-contained luminaires with supercapacitor	206
AaltoCtrl remote monitoring system	208
AaltoCtrl WMU	210
AaltoCtrl PC	212
Additional AaltoCtrl modules	214

Luminaires

Emergency exit lights	216
Emergency lights for open areas	258
Emergency lights for escape routes	308
Emergency lights for points of emphasis	342

EMERGENCY EXIT LIGHTS.

Emergency exit lights

Steel	216
ESC 80	222
ESC 81	228
ESC 90	234
Easy: Combo	238
Solid Exit	242
Solid Exit 2	246
Plus	250
ESC Cube	254
Heavy Exit	256

EMERGENCY LIGHTS.

Emergency lights for open areas

Slimspot II: Zone Lowbay, Zone Midbay	258
Zonespot II: Lowbay, Midbay, Highbay	266
Easy: Combo	280
Solid: Zone Lowbay, Zone Midbay	284
Trail: Zone Lowbay, Zone Midbay	292
Smooth: Zone	300
Stamina: Zone Lowbay, Zone Midbay	304

Emergency lights for escape routes

Slimspot II: Line Lowbay, Line Midbay	308
Linespot II: Lowbay, Midbay	314
Easy: Line Lowbay	322
Solid: Line Lowbay, Line Midbay	326
Trail: Line Lowbay, Line Midbay	332
Stamina: Line Lowbay, Line Midbay	338

Emergency lights for points of emphasis

Slimspot II: Angle	342
Find	346

Selection tables

Self-contained luminaires with 1 h supercapacitor and wireless remote monitoring

Product family	Emergency exit lights		Emergency lights for open areas		Emergency lights for escape routes		Emergency lights for points of emphasis	
	Product code	Page	Product code	Page	Product code	Page	Product code	Page
Steel	TWSE192WA TWSE292WA TWSE392WA	220						
	TWSE492WA TWSE592WA TWSE892WA	220						
	TWSE692WA TWSE792WA TWSE992WA	221						
ESC 80	TWS8092WA TWS8092WAT TWS8092WAR TWS8092WART	223						
ESC 81	TWS8192WA TWS8192WAT	229						
ESC 90	TWS9092WA TWS9092WAT TWS9092WAR TWS9092WART	235						
Solid Exit	TWS3092WA TWS3092WAE	243						
Solid Exit 2	TWS3192WA	247						
Solid: Zone Lowbay			TWS3292WA	285				
Solid: Zone Midbay			TWS3692WA	288				
Solid: Line Lowbay					TWS4292WA	327		
Solid: Line Lowbay					TWS4392WA	329		
Plus	TWSF192WA	251						
Heavy Exit	TWSA992WA	257						
Slimspot II: Zone Lowbay			TWS6392WA TWS6392WA4 TWS6392WA5 TWS6392WAC TWSA292WA4 TWSA292WA5 TWSA292WA TWSA292WAC	260				
Slimspot II: Zone Midbay			TWS1292WA4 TWS1292WA5 TWS1292WA TWS1292WAC TWSA592WA TWSA592WA4 TWSA592WA5 TWSA592WAC	263				
Slimspot II: Line Lowbay					TWS6192WA TWS6192WA4 TWSA192WA4 TWSA192WA	310		
Slimspot II: Line Midbay					TWS1192WA4 TWS1192WA TWSA492WA TWSA492WA4	312		
Slimspot: Angle							TWSD192WA	344
Zonespot II: Lowbay			TWS0492WA TWS0492WAC TWS0492WA4 TWS0492WA5 TWS9292WA TWS9292WAT TWS9292WAC	268				
Zonespot II: Midbay			TWS9392WA TWS9392WAT TWS9392WAC	272				

Selection tables

Self-contained luminaires with 1 h supercapacitor and wireless remote monitoring

Product family	Emergency exit lights		Emergency lights for open areas		Emergency lights for escape routes		Emergency lights for points of emphasis	
	Product code	Page	Product code	Page	Product code	Page	Product code	Page
Zonespot II: Highbay			TWS8492WAC TWS8492WACT	276				
Trail: Zone Lowbay			TWSC292WA TWSC292WAC	294				
Trail: Zone Midbay			TWSC592WA TWSC592WAC	296				
Trail: Line Lowbay					TWSC192WA	333		
Trail: Line Midbay					TWSC492WA	335		
Smooth: Zone			TWSA892WA	302				
Stamina: Zone Lowbay			TWS5292WA TWS5292WAS	305				
Stamina: Zone Midbay			TWS5792WAG	306				
Stamina: Line Lowbay					TWS7492WAG	339		
Stamina: Line Midbay					TWS7992WAG	340		
Linespot II: Lowbay					TWS1492WA TWS1492WA4 TWS9992WA TWS9992WAT	316		
Linespot II: Midbay					TWS8892WA TWS8892WAT	318		
Find							TWSA392WA	347

Recommended mounting height

Self-contained emergency lights with 1 h supercapacitor and wireless remote monitoring **for open areas**

Product family	Product code	Recommended mounting height												
		2	2.5	3	4	5	6	7	8	9	10	11	12	
Stamina: Zone Lowbay	TWS5292WA	■												
	TWS5292WAS	■												
Slimspot II: Zone Lowbay	TWS6392WA		■											
	TWS6392WA4		■											
	TWSA292WA4		■											
	TWSA292WA		■											
Zonespot II: Lowbay	TWS0492WA		■											
	TWS0492WA4		■											
	TWS9292WA		■											
	TWS9292WAT		■											
Solid: Zone Lowbay	TWS3292WA		■											
Trail: Zone Lowbay	TWSC292WA		■											
Smooth: Zone	TWSA892WA		■											
Slimspot II: Zone Lowbay	TWS6392WA5		■	■										
	TWS6392WAC		■	■										
	TWSA292WA5		■	■										
	TWSA292WAC		■	■										
Zonespot II: Lowbay	TWS0492WAC		■	■										
	TWS0492WA5		■	■										
	TWS9292WAC		■	■										
Trail: Zone Lowbay	TWSC292WAC		■	■										
Slimspot II: Zone Midbay	TWS1292WA4			■	■									
	TWS1292WA			■	■									
	TWSA592WA			■	■									
	TWSA592WA4			■	■									
Zonespot II: Midbay	TWS9392WA			■	■									
	TWS9392WAT			■	■									
Trail: Zone Midbay	TWSC592WA			■	■									
Stamina: Zone Midbay	TWS5792WAG			■	■									
Slimspot II: Zone Midbay	TWS1292WA5				■	■								
	TWS1292WAC				■	■								
	TWSA592WA5				■	■								
	TWSA592WAC				■	■								
Zonespot II: Midbay	TWS9392WAC				■	■								
Solid: Zone Midbay	TWS3692WA				■	■								
Trail: Zone Midbay	TWSC592WAC				■	■								
Zonespot II: Highbay	TWS8492WAC							■	■	■	■	■	■	■
	TWS8492WACT							■	■	■	■	■	■	■

Recommended mounting height

Self-contained emergency lights with 1 h supercapacitor and wireless remote monitoring **for escape routes**

Product family	Product code	Recommended mounting height						
		2.5	3	4	5	6	7	8
Slimspot II: Line Lowbay	TWS6192WA							
	TWS6192WA4							
	TWSA192WA4							
	TWSA192WA							
Linespot II: Lowbay	TWS1492WA							
	TWS1492WA4							
	TWS9992WA							
	TWS9992WAT							
Solid: Line Lowbay	TWS4292WA							
Trail: Line Lowbay	TWSC192WA							
Stamina: Line Lowbay	TWS7492WAG							
Slimspot II: Line Midbay	TWS1192WA4							
	TWS1192WA							
	TWSA492WA							
	TWSA492WA4							
Linespot II: Midbay	TWS8892WA							
	TWS8892WAT							
Solid: Line Midbay	TWS4392WA							
Trail: Line Midbay	TWSC492WA							
Stamina: Line Midbay	TWS7992WAG							

Self-contained emergency lights with 1 h supercapacitor and wireless remote monitoring **for points of emphasis**

Product family	Product code	Recommended mounting height			
		2	2.5	3	4
Slimspot II: Angle	TWSD192WA				
Find	TWSA392WA				

Selection tables

Self-contained luminaires with 1 h supercapacitor

Product family	Emergency exit lights		Emergency lights for open areas		Emergency lights for escape routes		Emergency lights for points of emphasis	
	Product code	Page	Product code	Page	Product code	Page	Product code	Page
Steel	TWSE192WM TWSE292WM TWSE392WM	220						
	TWSE492WM TWSE592WM TWSE892WM	220						
	TWSE692WM TWSE792WM TWSE892WM	221						
ESC 80	TWS8092WM TWS8092WMT TWS8092WMR TWS8092WMRT	223						
ESC 81	TWS8192WM TWS8192WMT TWS8192WR TWS8192WRT	229						
ESC 90	TWS9092WM TWS9092WMT TWS9092WMR TWS9092WMRT	235						
Solid Exit	TWS3092WM TWS3092WME	243						
Solid Exit 2	TWS3192WM	247						
Solid: Zone Lowbay			TWS3292WM	285				
Solid: Zone Midbay			TWS3692WM	288				
Solid: Line Lowbay					TWS4292WM	327		
Solid: Line Midbay					TWS4392WM	329		
Plus	TWSF192WM	251						
Heavy Exit	TWSA992WM	257						
Slimspot II: Zone Lowbay			TWS6392WM TWS6392WM4 TWS6392WM5 TWSA292WM4 TWSA292WM5 TWSA292WM TWSA292WMC	260				
Slimspot II: Zone Midbay			TWS1292WM4 TWS1292WM TWSA592WM TWSA592WM4 TWS1292WM5 TWS1292WMC TWSA592WM5 TWSA592WMC	263				
Slimspot II: Line Lowbay					TWS6192WM TWS6192WM4 TWSA192WM4 TWSA192WM	310		
Slimspot II: Line Midbay					TWS1192WM4 TWS1192WM4 TWSA492WM TWSA492WM4	312		
Slimspot II: Angle							TWSD192WM	344
Zonespot II: Lowbay			TWS0492WM TWS0492WMC TWS0492WM4 TWS0492WM5 TWS9292WM TWS9292WMT TWS9292WMC	268				

Selection tables

Self-contained luminaires with 1 h supercapacitor

Product family	Emergency exit lights		Emergency lights for open areas		Emergency lights for escape routes		Emergency lights for points of emphasis	
	Product code	Page	Product code	Page	Product code	Page	Product code	Page
Zonespot II: Midbay			TWS9392WM TWS9392WMT TWS9392WMC	272				
Zonespot II: Highbay			TWS8492WMC TWS8492WMCT	276				
Trail: Zone Lowbay			TWSC292WM TWSC292WMC	294				
Trail: Zone Midbay			TWSC592WM TWSC592WMC	296				
Trail: Line Lowbay					TWSC192WM	333		
Trail: Line Midbay					TWSC492WM	335		
Smooth: Zone			TWSA892WM	302				
Stamina: Zone Lowbay			TWS5292WM TWS5292WMS	305				
Stamina: Zone Midbay			TWS5792WMG	306				
Stamina: Line Lowbay					TWS7492WMG	339		
Stamina: Line Midbay					TWS7992WMG	340		
Linespot II: Lowbay					TWS1492WM TWS1492WM4 TWS9992WM TWS9992WMT	316		
Linespot II: Midbay					TWS8892WM TWS8892WMT	318		
Find							TWSA392WM	347

Recommended mounting height

Self-contained emergency lights with 1 h supercapacitor **for open areas**

Product family	Product code	Recommended mounting height												
		2	2.5	3	4	5	6	7	8	9	10	11	12	
Stamina: Zone Lowbay	TWS5292WM													
	TWS5292WMS													
Slimspot II: Zone Lowbay	TWS6392WM													
	TWS6392WM4													
	TWSA292WM4													
	TWSA292WM													
Zonespot II: Lowbay	TWS0492WM													
	TWS0492WM4													
	TWS9292WM													
	TWS9292WMT													
Solid: Zone Lowbay	TWS3292WM													
Trail: Zone Lowbay	TWSC292WM													
Smooth: Zone	TWSA892WM													
Slimspot II: Zone Lowbay	TWS6392WM5													
	TWS6392WMC													
	TWSA292WM5													
	TWSA292WMC													
Zonespot II: Lowbay	TWS0492WMC													
	TWS0492WM5													
	TWS9292WMC													
Trail: Zone Lowbay	TWSC292WMC													
Slimspot II: Zone Midbay	TWS1292WM4													
	TWS1292WM													
	TWSA592WM													
	TWSA592WM4													
Zonespot II: Midbay	TWS9392WM													
	TWS9392WMT													
Trail: Zone Midbay	TWSC592WM													
Stamina: Zone Midbay	TWS5792WMG													
Slimspot II: Zone Midbay	TWS1292WM5													
	TWS1292WMC													
	TWSA592WM5													
	TWSA592WMC													
Zonespot II: Midbay	TWS9392WMC													
Solid: Zone Midbay	TWS3692WM													
Trail: Zone Midbay	TWSC592WMC													
Zonespot II: Highbay	TWS8492WMC													
	TWS8492WMCT													

Recommended mounting height

Self-contained emergency lights with 1 h supercapacitor **for escape routes**

Product family	Product code	Recommended mounting height						
		2.5	3	4	5	6	7	8
Slimspot II: Line Lowbay	TWS6192WM							
	TWS6192WM4							
	TWSA192WM4							
	TWSA192WM							
Linespot II: Lowbay	TWS1492WM							
	TWS1492WM4							
	TWS9992WM							
	TWS9992WMT							
Solid: Line Lowbay	TWS4292WM							
Trail: Line Lowbay	TWSC192WM							
Stamina: Line Lowbay	TWS7492WMG							
Slimspot II: Line Midbay	TWS1192WM4							
	TWS1192WM							
	TWSA492WM							
	TWSA492WM4							
Linespot II: Midbay	TWS8892WM							
	TWS8892WMT							
Solid: Line Midbay	TWS4392WM							
Trail: Line Midbay	TWSC492WM							
Stamina: Line Midbay	TWS7992WMG							

Self-contained emergency lights with 1 h supercapacitor **for points of emphasis**

Product family	Product code	Recommended mounting height			
		2	2.5	3	4
Slimspot II: Angle	TWSD192WM				
Find	TWSA392WM				

Selection tables

Self-contained luminaires with 1 h battery and wireless remote monitoring

Product family	Emergency exit lights		Emergency lights for open areas		Emergency lights for escape routes		Emergency lights for points of emphasis	
	Product code	Page	Product code	Page	Product code	Page	Product code	Page
Easy: Combo	TWTB152WA	239	TWTB152WA	281				
Easy: Line Lowbay					TWTB252WA	232		
Solid: Zone Lowbay			TWT3252WA	285				
Solid: Zone Midbay			TWT3652WA	288				
Solid: Line Lowbay					TWT4252WA	327		
Solid: Line Midbay					TWT4352WA	329		
Slimspot II: Zone Lowbay			TWT6352WA TWT A252WA	260				
Slimspot II: Zone Midbay			TWT1252WA TWT A552WA	263				
Slimspot II: Line Lowbay					TWT6152WA TWT A152WA	310		
Slimspot II: Line Midbay					TWT1152WA TWT A452WA	312		
Slimspot II: Angle							TWTD152WA	344
Zonespot II: Lowbay			TWT0452WA TWT9252WA TWT9252WAT	270				
Zonespot II: Midbay			TWT9352WA TWT9352WAT	274				
Zonespot II: Highbay			TWT8452WA TWT8452WAT	276				
Trail: Zone Lowbay			TWTC252WA	294				
Trail: Zone Midbay			TWTC552WA	296				
Trail: Line Lowbay					TWTC152WA	333		
Trail: Line Midbay					TWTC452WA	335		
Smooth: Zone			TWTA852WAF	302				
Linespot II: Lowbay					TWT1452WA TWT9952WA TWT9952WAT	316		
Linespot II: Midbay					TWT8852WA TWT8852WAT	318		

Recommended mounting height

Self-contained emergency lights with 1 h battery and wireless remote monitoring **for open areas**

Product family	Product code	Recommended mounting height																
		2.5	3	4	5	6	7	8	9	10	11	12	13	14	15	16	17	18
Smooth: Zone	TWTA852WAF																	
Slimspot II: Zone Lowbay	TWT6352WA																	
	TWTA252WA																	
Zonespot II: Lowbay	TWT0452WA																	
	TWT9252WA																	
	TWT9252WAT																	
Easy: Combo	TWTB152WA																	
Trail: Zone Lowbay	TWTC252WA																	
Solid: Zone Lowbay	TWT3252WA																	
Slimspot II: Zone Midbay	TWT1252WA																	
	TWTA552WA																	
Zonespot II: Midbay	TWT9352WA																	
	TWT9352WAT																	
Trail: Zone Midbay	TWTC552WA																	
Zonespot II: Highbay	TWT8452WA																	
	TWT8452WAT																	
Solid: Zone Midbay	TWT3652WA																	

Self-contained emergency lights with 1 h battery and wireless remote monitoring **for escape routes**

Product family	Product code	Recommended mounting height																
		2.5	3	4	5	6	7	8	9	10	11	12						
Easy: Line Lowbay	TWTB252WA																	
Solid: Line Lowbay	TWT4252WA																	
Slimspot II: Line Lowbay	TWT6152WA																	
	TWTA152WA																	
Linespot II: Lowbay	TWT1452WA																	
	TWT9952WA																	
	TWT9952WAT																	
Trail: Line Lowbay	TWTC152WA																	
Slimspot II: Line Midbay	TWT1152WA																	
	TWTA452WA																	
Linespot II: Midbay	TWT8852WA																	
	TWT8852WAT																	
Trail: Line Midbay	TWTC452WA																	
Solid: Line Midbay	TWT4352WA																	

Self-contained emergency lights with 1-h battery and wireless remote monitoring **for points of emphasis**

Product family	Product code	Recommended mounting height			
		2	2.5	3	4
Slimspot II: Angle	TWTD152WA				

Selection tables

Self-contained luminaires with 3 h battery and wireless remote monitoring

Product family	Emergency exit lights		Emergency lights for open areas		Emergency lights for escape routes		Emergency lights for points of emphasis	
	Product code	Page	Product code	Page	Product code	Page	Product code	Page
ESC 80	TWT8053WA TWT8053WAT	224						
ESC 81	TWT8153WA TWT8153WAT	230						
ESC 90	TWT9053WA TWT9053WAT	235						
Easy: Combo	TWTB153WA	239	TWTB153WA	281				
Easy: Line Lowbay					TWTB253WA	232		
Solid Exit	TWT3053WA	243						
Solid Exit 2	TWT3153WA	247						
Solid: Zone Lowbay			TWT3253WA	285				
Solid: Zone Midbay			TWT3653WA	288				
Solid: Line Lowbay					TWT4253WA	327		
Solid: Line Midbay					TWT4353WA	329		
Plus	TWTF153WA	251						
ESC Cube	TWK6353WA	255						
Slimspot II: Zone Lowbay			TWT6353WA TWT6253WA	262				
Slimspot II: Zone Midbay			TWT1253WA TWT6553WA	263				
Slimspot II: Line Lowbay					TWT6153WA TWT6153WAT	310		
Slimspot II: Line Midbay					TWT1153WA TWT6453WA	312		
Slimspot II: Angle							TWTD153WA	344
Zonespot II: Lowbay			TWT0453WA TWT9253WA TWT9253WAT	270				
Zonespot II: Midbay			TWT9353WA TWT9353WAT	274				
Zonespot II: Highbay			TWT8453WA TWT8453WAT	276				
Trail: Zone Lowbay			TWTC253WA	294				
Trail: Zone Midbay			TWTC553WA	296				
Trail: Line Lowbay					TWTC153WA	333		
Trail: Line Midbay					TWTC453WA	335		
Smooth: Zone			TWTA853WAF	302				
Linespot II: Lowbay					TWT1453WA TWT9953WA TWT9953WAT	316		
Linespot II: Midbay					TWT8853WA TWT8853WAT	318		

Recommended mounting height

Self-contained emergency lights with 3 h battery and wireless remote monitoring **for open areas**

Product family	Product code	Recommended mounting height																
		2.5	3	4	5	6	7	8	9	10	11	12	13	14	15	16	17	18
Smooth: Zone	TWTA853WAF																	
Slimspot II: Zone Lowbay	TWT6353WA																	
	TWTA253WA																	
Zonespot II: Lowbay	TWT0453WA																	
	TWT9253WA																	
	TWT9253WAT																	
Easy: Combo	TWTB153WA																	
Trail: Zone Lowbay	TWTC253WA																	
Solid: Zone Lowbay	TWT3253WA																	
Slimspot II: Zone Midbay	TWT1253WA																	
	TWTA553WA																	
Zonespot II: Midbay	TWT9353WA																	
	TWT9353WAT																	
Trail: Zone Midbay	TWTC553WA																	
Zonespot II: Highbay	TWT8453WA																	
	TWT8453WAT																	
Solid: Zone Midbay	TWT3653WA																	

Self-contained emergency lights with 3 h battery and wireless remote monitoring **for escape routes**

Product family	Product code	Recommended mounting height																
		2.5	3	4	5	6	7	8	9	10	11	12						
Easy: Line Lowbay	TWTB253WA																	
Solid: Line Lowbay	TWT4253WA																	
Slimspot II: Line Lowbay	TWT6153WA																	
	TWTA153WA																	
Linespot II: Lowbay	TWT1453WA																	
	TWT9953WA																	
	TWT9953WAT																	
Trail: Line Lowbay	TWTC153WA																	
Slimspot II: Line Midbay	TWT1153WA																	
	TWTA453WA																	
Linespot II: Midbay	TWT8853WA																	
	TWT8853WAT																	
Trail: Line Midbay	TWTC453WA																	
Solid: Line Midbay	TWT4353WA																	

Self-contained emergency lights with 3 h battery and wireless remote monitoring **for points of emphasis**

Product family	Product code	Recommended mounting height			
		2	2.5	3	4
Slimspot II: Angle	TWTD153WA				

Selection tables

Self-contained luminaires with 1 h battery

Product family	Emergency exit lights		Emergency lights for open areas		Emergency lights for escape routes		Emergency lights for points of emphasis	
	Product code	Page	Product code	Page	Product code	Page	Product code	Page
Easy: Combo	TWTB152WM	239	TWTB152WM	281				
Easy: Line Lowbay					TWTB252WM	232		
Solid: Zone Lowbay			TWT3252WM	285				
Solid: Zone Midbay			TWT3652WM	288				
Solid: Line Lowbay					TWT4252WM	327		
Solid: Line Midbay					TWT4352WM	329		
Slimspot II: Zone Lowbay			TWT6352WM TWT A252WM	261				
Slimspot II: Zone Midbay			TWT1252WM TWT A552WM	264				
Slimspot II: Line Lowbay					TWT6152WM TWT A152WM	310		
Slimspot II: Line Midbay					TWT1152WM TWT A452WM	312		
Slimspot II: Angle							TWTD152WM	344
Zonespot II: Lowbay			TWT0452WM TWT9252WM TWT9252WMT	270				
Zonespot II: Midbay			TWT9352WM TWT9352WMT	274				
Zonespot II: Highbay			TWT8452WM TWT8452WMT	276				
Trail: Zone Lowbay			TWTC252WM	294				
Trail: Zone Midbay			TWTC552WM	296				
Trail: Line Lowbay					TWTC152WM	333		
Trail: Line Midbay					TWTC452WM	335		
Smooth: Zone			TWTA852WMF	302				
Linespot II: Lowbay					TWT1452WM TWT9952WM TWT9952WMT	316		
Linespot II: Midbay					TWT8852WM TWT8852WMT	318		

Recommended mounting height

Self-contained emergency lights with 1 h battery **for open areas**

Product family	Product code	Recommended mounting height																
		2.5	3	4	5	6	7	8	9	10	11	12	13	14	15	16	17	18
Smooth: Zone	TWTA852WMF																	
Slimspot II: Zone Lowbay	TWT6352WM																	
	TWTA252WM																	
Zonespot II: Lowbay	TWT0452WM																	
	TWT9252WM																	
	TWT9252WMT																	
Easy: Combo	TWTB152WM																	
Trail: Zone Lowbay	TWTC252WM																	
Solid: Zone Lowbay	TWT3252WM																	
Slimspot II: Zone Midbay	TWT1252WM																	
	TWTA552WM																	
Zonespot II: Midbay	TWT9352WM																	
	TWT9352WMT																	
Trail: Zone Midbay	TWTC552WM																	
Zonespot II: Highbay	TWT8452WM																	
	TWT8452WMT																	
Solid: Zone Midbay	TWT3652WM																	

Self-contained emergency light with 1 h battery **for escape routes**

Product family	Product code	Recommended mounting height																
		2.5	3	4	5	6	7	8	9	10	11	12						
Easy: Line Lowbay	TWTB252WM																	
Solid: Line Lowbay	TWT4252WM																	
Slimspot II: Line Lowbay	TWT6152WM																	
	TWTA152WM																	
Linespot II: Lowbay	TWT1452WM																	
	TWT9952WM																	
	TWT9952WMT																	
Trail: Line Lowbay	TWTC152WM																	
Slimspot II: Line Midbay	TWT1152WM																	
	TWTA452WM																	
Linespot II: Midbay	TWT8852WM																	
	TWT8852WMT																	
Trail: Line Midbay	TWTC452WM																	
Solid: Line Midbay	TWT4352WM																	

Self-contained emergency lights with 1 h battery **for points of emphasis**

Product family	Product code	Recommended mounting height			
		2	2.5	3	4
Slimspot II: Angle	TWTD152WM				

Selection tables

Self-contained luminaires with 3 h battery

Product family	Emergency exit lights		Emergency lights for open areas		Emergency lights for escape routes		Emergency lights for points of emphasis	
	Product code	Page	Product code	Page	Product code	Page	Product code	Page
ESC 80	TWT8053WM TWT8053WMT	224						
ESC 81	TWT8153WM TWT8153WMT	230						
ESC 90	TWT9053WM TWT9053WMT	235						
Easy: Combo	TWTB153WM	239	TWTB153WM	281				
Easy: Line Lowbay					TWTB253WM	232		
Solid Exit	TWT3053WM	243						
Solid Exit 2	TWT3153WM	247						
Solid: Zone Lowbay			TWT3253WM	285				
Solid: Zone Midbay			TWT3653WM	288				
Solid: Line Lowbay					TWT4253WM	327		
Solid: Line Midbay					TWT4353WM	329		
Plus	TWTF153WM	251						
Opas Kuutio	TWK6353WM	255						
Slimspot II: Zone Lowbay			TWT6353WM TWT6353WMT	261				
Slimspot II: Zone Midbay			TWT1253WM TWT1253WMT	264				
Slimspot II: Line Lowbay					TWT6153WM TWT6153WMT	310		
Slimspot II: Line Midbay					TWT1153WM TWT1153WMT	314		
Slimspot II: Angle							TWTD153WM	344
Zonespot II: Lowbay			TWT0453WM TWT9253WM TWT9253WMT	270				
Zonespot II: Midbay			TWT9353WM TWT9353WMT	274				
Zonespot II: Highbay			TWT8453WM TWT8453WMT	276				
Trail: Zone Lowbay			TWTC253WM	294				
Trail: Zone Midbay			TWTC553WM	296				
Trail: Line Lowbay					TWTC153WM	333		
Trail: Line Midbay					TWTC453WM	335		
Smooth: Zone			TWTA853WMF	302				
Linespot II: Lowbay					TWT1453WM TWT9953WM TWT9953WMT	316		
Linespot II: Midbay					TWT8853WM TWT8853WMT	318		

Recommended mounting height

Self-contained emergency lights with 3 h battery **for open areas**

Product family	Product code	Recommended mounting height																
		2.5	3	4	5	6	7	8	9	10	11	12	13	14	15	16	17	18
Smooth: Zone	TWTA853WMF																	
Slimspot II: Zone Lowbay	TWT6353WM																	
	TWTA253WM																	
Zonespot II: Lowbay	TWT0453WM																	
	TWT9253WM																	
	TWT9253WMT																	
Easy: Combo	TWTB153WM																	
Trail: Zone Lowbay	TWTC253WM																	
Solid: Zone Lowbay	TWT3253WM																	
Slimspot II: Zone Midbay	TWT1253WM																	
	TWTA553WM																	
Zonespot II: Midbay	TWT9353WM																	
	TWT9353WMT																	
Trail: Zone Midbay	TWTC553WM																	
Zonespot II: Highbay	TWT8453WM																	
	TWT8453WMT																	
Solid: Zone Midbay	TWT3653WM																	

Self-contained emergency light with 3 h battery **for escape routes**

Product family	Product code	Recommended mounting height																
		2.5	3	4	5	6	7	8	9	10	11	12						
Easy: Line Lowbay	TWTB253WM																	
Solid: Line Lowbay	TWT4253WM																	
Slimspot II: Line Lowbay	TWT6153WM																	
	TWTA153WM																	
Linespot II: Lowbay	TWT1453WM																	
	TWT9953WM																	
	TWT9953WMT																	
Trail: Line Lowbay	TWTC153WM																	
Slimspot II: Line Midbay	TWT1153WM																	
	TWTA453WM																	
Linespot II: Midbay	TWT8853WM																	
	TWT8853WMT																	
Trail: Line Midbay	TWTC453WM																	
Solid: Line Midbay	TWT4353WM																	

Self-contained emergency lights with 3 h battery **for points of emphasis**

Product family	Product code	Recommended mounting height			
		2	2.5	3	4
Slimspot II: Angle	TWTD153WM				

Self-contained systems and technologies

In a self-contained system, each luminaire has its own back up power source – in the case of our self-contained luminaires, this is a supercapacitor or a battery. Our self-contained luminaires include the LumiTest functionality that monitors and tests the luminaires automatically and reliably.

Self-contained luminaires are an easy option for implementing emergency lighting in a smaller project. By combining the supercapacitor technology with our wireless AaltoCtrl remote monitoring, self-contained luminaires can be used for any size of emergency lighting project. Our technologies also allow the use of modern emergency and exit lights in large renovation projects without the need for additional cabling.



Escap

Self-contained system with supercapacitors

A self-contained system with supercapacitors is a maintenance-free, durable and environmentally friendly solution for implementing the property's emergency lighting. The supercapacitors do not contain any dangerous substances and can be recycled as WEEE. The allowed ambient temperature range of these luminaires is $-25\text{ }^{\circ}\text{C} \dots +35\text{ }^{\circ}\text{C}$. All Escap luminaires come with an extended 12-year product warranty. In practice, the Escap luminaires are maintenance-free throughout their lifecycle, up to 15 years or even longer.



Self-contained system with battery

A self-contained system with a built-in battery is a simple and economical way of implementing emergency lighting in a property. You should note, however, that the lifetime of batteries is typically less than half of that of supercapacitors. A self-contained luminaire with a built-in battery is recommended for properties where the batteries can be easily replaced.

LumiTest

LumiTest

All our self-contained luminaires include the LumiTest functionality that monitors and tests the luminaires automatically and reliably (except for the no-test models). The operation of the luminaire and its light source are tested daily and a duration test is conducted every six months. Two indicator LEDs, one green and one red, indicate the status of the luminaire. A red LED indicates that the luminaire has a fault.

AaltoCtrl

AaltoCtrl

AaltoCtrl remote monitoring system allows the wireless and centralised monitoring of self-contained luminaires. The system does not require data cabling between the luminaires, just the local power supply to the luminaires is sufficient.



Escap self-contained luminaires with supercapacitor

Teknoware Escap is the most environmentally friendly option for implementing emergency lighting. Supercapacitors act as a backup power source for luminaires, making them practically maintenance-free.

Environmental protection is a part of our shared social responsibility, and we do our part by lowering emissions. Teknoware Escap is an environmentally friendly, battery-free solution for emergency lighting with supercapacitor backup. Supercapacitors have many environmental advantages over traditional batteries: they contain no hazardous materials and their lifetime is more than double that of a traditional battery.

Reliable and long lasting

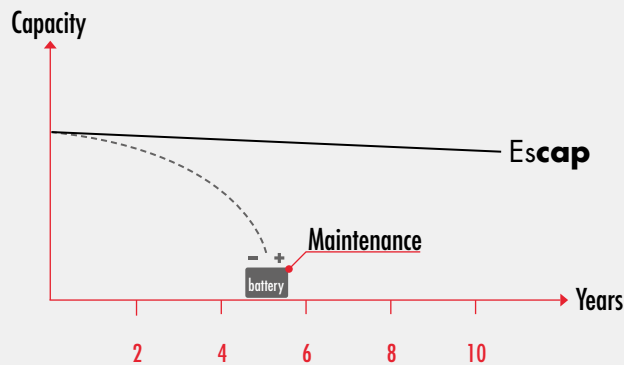
All Escap luminaires have a 12-year extended warranty. Escap emergency and emergency exit lights are practically maintenance-free during their lifecycle, up to 15 years or even longer. We launched Escap back in 2008, so we know that luminaires with this technology will last.

Our Escap product range covers a comprehensive selection of exit and emergency lights, for different types of buildings and purposes. Escap luminaires have a wide operating temperature range from -25° to +35°C so they can also be used outdoors, for example in shelters and parking halls.

Escap luminaires are equipped with LumiTest self-testing technology. As an option you can add AaltoCtrl wireless central monitoring, as well as the cloud-based MyTeknoware remote monitoring system.



Need for maintenance



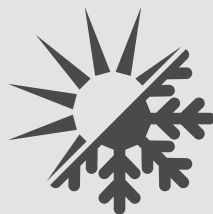
The long life of supercapacitors and high-power LEDs guarantee that they are maintenance-free throughout the lifecycle of the luminaire.

Benefits of Escap



Environmentally friendly

Supercapacitors do not contain any substances harmful to the environment and can be recycled as WEEE.



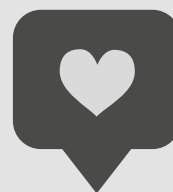
Versatile

The ambient temperature range of supercapacitors is -25 °C...+35 °C.



Durable

Supercapacitors can handle millions of charging cycles and they do not get damaged even if they stay in a discharged state for a long time.



Safe

There are no electrochemical charge/discharge reactions in supercapacitors and no explosive gases.

12

Reliable

All Escap luminaires have a 12-year extended warranty and they are practically maintenance-free throughout their lifecycle, up to 15 years or even longer.

AaltoCtrl remote monitoring system for the monitoring of self-contained luminaires



Can be connected to the MyTeknoware cloud service. Read more on pages 10–11.

AaltoCtrl remote monitoring system allows the wireless and centralised monitoring of self-contained luminaires. The system does not require a central battery unit or data cabling between the luminaires – the local power supply to the luminaires is sufficient. The emergency lighting system is easy and effortless to implement. You simply install the luminaires in place and the system is ready for use. The luminaires are easy to adapt and relocate if changes take place in the properties.

The AaltoCtrl system provides an alert if a luminaire fails and shows the tests conducted and the status of the luminaires. Notifications of system status and alerts can be subscribed via email. Adding more luminaires to the system is easy, making the AaltoCtrl system easy to expand and adapt. The arrangement of luminaires into groups by floor, building and other areas, for example, makes it easier to locate individual luminaires in large properties in particular. Permitted times for the automatic luminaire tests can be determined according to the needs of the property.

Since the network is created automatically, the system is easy to commission: Each self-contained luminaire in the system receives and transfers data, and the wireless AaltoCtrl-MESH network is created between the luminaires connected to mains power. If one luminaire drops off the network, the system finds a new route via the other luminaires. The luminaires are self-testing, independent devices. None of their safety features depend on the network operations. The signal passes through light partition walls and doors without problems and moves between floors. The range is up to 40 metres in open indoor spaces and up to 80 metres outdoors. A separate signal amplifier can be used to amplify the signal for unusually thick walls or other obstacles. The information about a failure in the system can be sent to other systems, such as building management systems, or relay controlled devices, via the alert relay output.

Either a separate AaltoCtrl WMU monitoring unit or the AaltoCtrl PC software is used for operating the remote monitoring system.

Wireless and centralised monitoring of the emergency lighting system

Wireless system

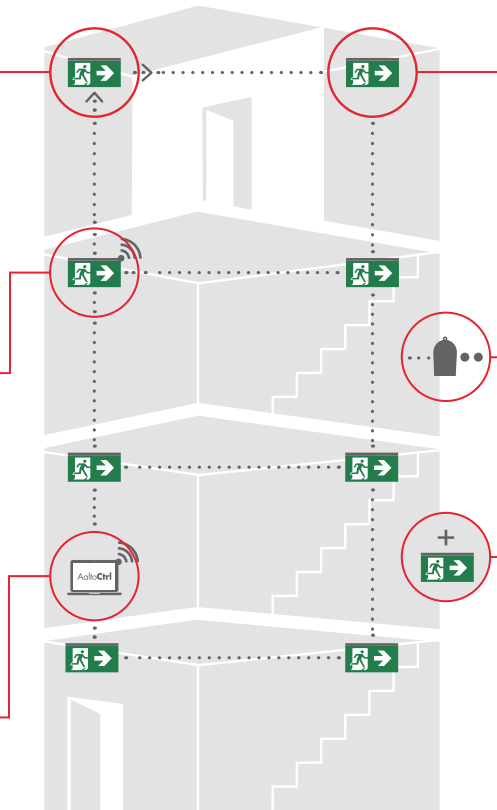
Enables wireless, centralised monitoring of self-contained luminaires. The system does not require a central battery unit or data cabling between the luminaires – the local power supply to the luminaires is sufficient.

An automatically created network

Each self-contained luminaire in the system receives and transfers data, and the wireless AaltoCtrl-MESH network is created between the luminaires connected to mains power. The range is up to 40 metres in open indoor spaces and up to 80 metres outdoors.

Centralised monitoring

The system provides an alert if a luminaire fails and shows the tests conducted and the status of the luminaires. The assignment of luminaires into groups enables locating individual luminaires in large properties in particular, and the times allowed for the automatic luminaire tests can be determined for each luminaire separately.



Strong signal

The signal passes through light partition walls and doors without problems and moves between floors. Emergency lights in the stairwell improve the transfer of the signal. The signal also passes through typical concrete structures when the luminaire in the next floor is placed directly above or under the luminaire.

Signal amplifier

A separate signal amplifier connected to mains power can be added to amplify the signal for unusually thick walls or other obstacles.

Adaptable

Adding more luminaires to the system is easy, making the system easy to expand and adapt. External AaltoCtrl coordinators can also be connected to the system to extend the network or divide it into separate sections, such as separate properties.



FEATURES

- Assignment of luminaires into groups by floor, building and other areas, for example.
- The luminaire type can be read automatically over the network.
- Monitoring of luminaire status and functionality.
- Collection of data of deviations and tests conducted.
- Possibility to receive status reports and alerts to email.
- The system includes several user levels, and different settings can be specified for different users.
- Luminaire data input from a CSV file, manually, using a barcode reader or using the automatic search functionality.
- Setting restrictions for luminaire and duration test times.
- The alert relay output module allows transferring faults detected in the AaltoCtrl system to other systems or relay controlled devices. The alert relay output module is integrated in the WMU monitoring unit and is available as an accessory for the PC software.
- The luminaire test history can be stored on a USB device.

AaltoCtrl WMU

wireless monitoring unit

Touchscreen solution for local monitoring

AaltoCtrl WMU is a wall-mounted monitoring device for the AaltoCtrl system. The monitoring unit operates independently without a computer and can therefore be used in properties without a separate control room. The WMU allows the local monitoring of up to 500 luminaires, and the unit's 7-inch touchscreen makes it easy to use. The WMU has an integrated coordinator that is used for connecting to the AaltoCtrl network. An external coordinator can be used for connecting another AaltoCtrl network to the system, such as the network of an adjoining property. The AaltoCtrl WMU monitoring unit also includes an integrated alert relay output module which allows transferring fault indications to other systems or relay controlled devices.



For monitoring of self-contained luminaires, fixed wall mounting (for example, for properties without a separate control room).

Can be operated without a PC.

An integrated coordinator. One external coordinator can be added if the system needs to be expanded.

Thanks to integrated alert relay output, fault indication can be transferred from AaltoCtrl to other systems or relay-controlled devices.

An easy to use user interface with a 7" touchscreen.

Allows the local monitoring of up to 500 emergency exit lights and emergency lights.

Can be connected to the MyTeknoware cloud service.



HIGHLIGHTS



WALL MOUNTED,
FIXED



AN EASY TO USE
USER INTERFACE



NO PC NEEDED

max.

500

LUMINAIRES MONITORED
IN ONE SYSTEM

Further information on additional accessories p. 214

Product code	Product description
TST5108	AaltoCtrl WMU wireless monitoring unit (wall mounting)
TST5103	AaltoCtrl Ethernet coordinator (used when necessary)
TST5105	AaltoCtrl signal amplifier (used when necessary)
TWC1000	MyTeknoware licence (optional cloud-based remote management system)

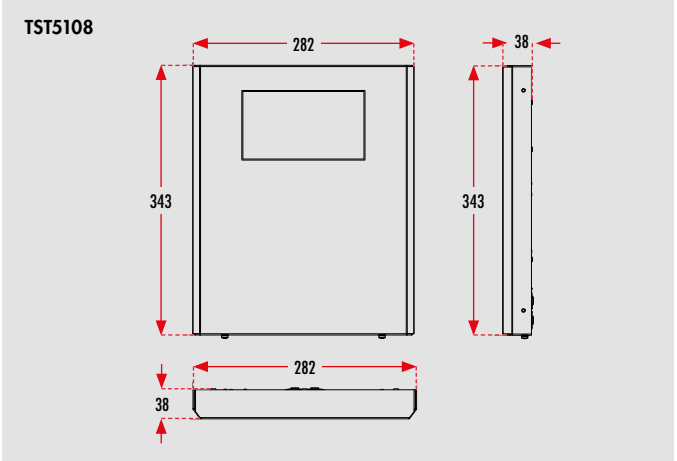
Technical data

Radio frequency	2.4 GHz
Range indoors	up to 40 m
Range outdoor/visual connection	up to 80 m

Wireless technology certificates

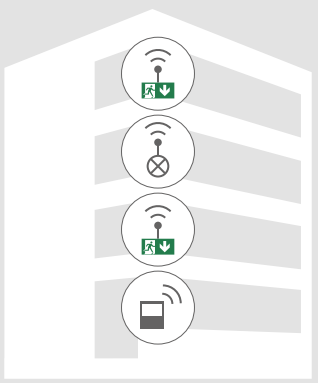
USA (FCC Part 15.247)
Industry Canada (IC)
Europe (CE) ETSI
RoHS compatible

Dimensions [mm]

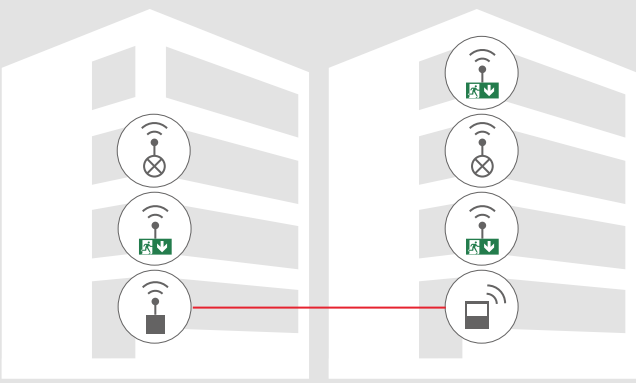


AaltoCtrl WMU system components

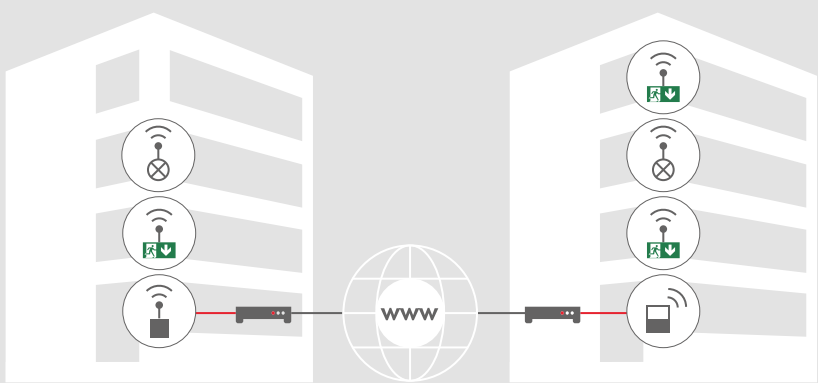
1. AaltoCtrl WMU basic system structure



2. AaltoCtrl WMU + external coordinator



3. Internet connection



- Emergency exit light
- Emergency light
- AaltoCtrl WMU
- AaltoCtrl coordinator
- TCP/IP connection (A local area network can be used)
- TCP/IP connection (over the Internet)
- Internet node (a modem, a router, a switch etc.)

AaltoCtrl PC

Windows software

A versatile software for centralised monitoring

AaltoCtrl PC is a software suite installed on a computer allowing the centralised monitoring of up to 5,000 emergency exit lights and emergency lights connected to the AaltoCtrl system. The software comes with an easy to use graphical user interface. The floor plans of properties can be imported into the software, allowing the easy pinpointing of individual luminaires even in a large system simply by looking at the map.

The AaltoCtrl PC software is used via an external coordinator allowing the monitoring of up to 800 luminaires. Adding more coordinators expands the emergency lighting system to a monitoring system comprising up to 5,000 emergency exit lights and emergency lights. The computer used for monitoring and the coordinators can be placed freely into different rooms of single property or to different properties.



PC software for the monitoring of a self-contained luminaires (for large properties, for example).

Uses a PC and a coordinator (up to 800 luminaires/coordinator); up to 30 coordinators can be added to the system.

A clear graphical user interface and locations of luminaires marked in the floor plans.

Allows the local monitoring of up to 5,000 emergency exit lights and emergency lights.

An alert relay output module available as an accessory, allowing the transfer of fault indications in the AaltoCtrl system to other systems or relay controlled devices.



HIGHLIGHTS



WINDOWS
SOFTWARE



GRAPHICAL USER
INTERFACE



LOCATIONS OF LUMINAIRES
MARKED IN THE FLOOR PLANS

max.

5,000

LUMINAIRES MONITORED
IN ONE SYSTEM

Further information on additional accessories, p. 214

Product code	Product description
TST5103	AaltoCtrl Ethernet coordinator
TST5104C	AaltoCtrl V4 PC software (max. 5,000 luminaires)
TST5105	AaltoCtrl signal amplifier (used when necessary)
TST5107	AaltoCtrl emergency relay output module (allows the control of relay controlled devices, such as an alert device or a pilot light, through the AaltoCtrl system)

Technical data

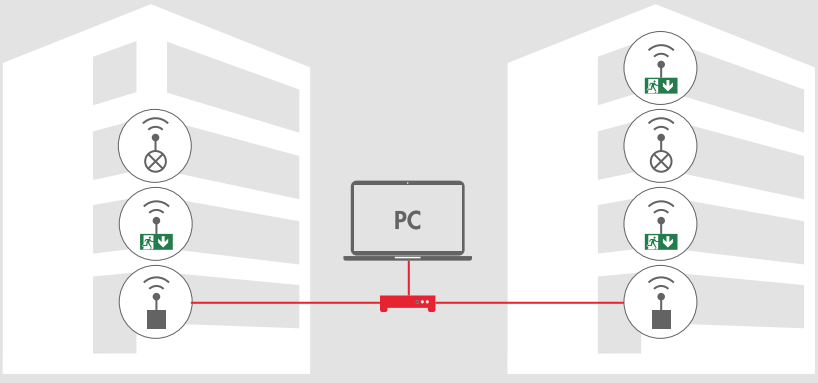
Radio frequency	2.4 GHz
Range indoors	up to 40 m
Range outdoor/visual connection	up to 80 m

Wireless technology certificates

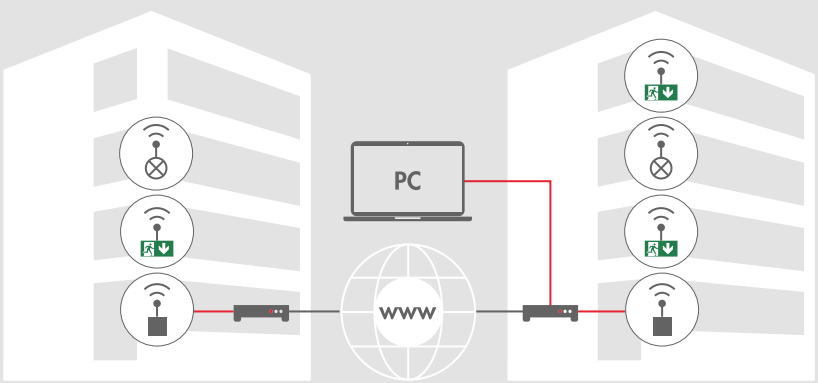
USA (FCC Part 15.247)
Industry Canada (IC)
Europe (CE) ETSI
RoHS compatible

AaltoCtrl PC system descriptions

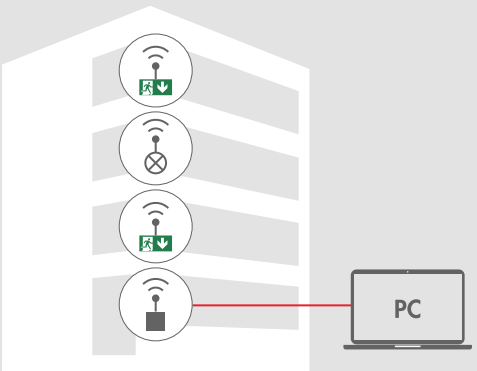
1. A typical AaltoCtrl PC system description



2. Using the AaltoCtrl PC system over the Internet



3. A coordinator connected directly to the computer



- Emergency exit light
- Emergency light
- AaltoCtrl coordinator
- TCP/IP connection (A local area network can be used)
- TCP/IP connection (over the Internet)
- Internet node (a modem, a router, a switch etc.)
- Switch/router

Additional AaltoCtrl modules

AaltoCtrl WMU

Optional accessory modules



Product code	Product description	
TST5103	AaltoCtrl Ethernet coordinator (used when necessary)	The AaltoCtrl WMU has an integrated coordinator that is used for connecting to the AaltoCtrl network. An external coordinator can be used for connecting another AaltoCtrl network to the system, such as the network of an adjoining property. The coordinator allows expanding the network to a separate area, for example.
TST5105	AaltoCtrl signal amplifier (used when necessary)	The signal amplifier connected to the AaltoCtrl network enhances the transfer of the signal in properties with exceptionally thick walls or other obstacles. The signal amplifier can also be used when the distances between the luminaires are long.
TWC1000	MyTeknoware licence (optional cloud-based remote management system)	The MyTeknoware cloud service that connects to the AaltoCtrl WMU monitoring device enables managing multiple emergency lighting systems on the same portal. For further information, see pages 10–11.

AaltoCtrl PC

An additional module needed for the AaltoCtrl PC software



Product code	Product description	
TST5103	AaltoCtrl Ethernet coordinator	<p>The AaltoCtrl PC software connects to the AaltoCtrl network through an external coordinator. One coordinator allows the monitoring of up to 800 luminaires. Adding more coordinators expands the emergency lighting system to one comprising up to 5,000 emergency exit lights and emergency lights.</p> <p>The coordinator can also be connected to the AaltoCtrl WMU monitoring unit if another AaltoCtrl emergency lighting system needs to be connected to the network.</p>

Optional accessory modules for the AaltoCtrl PC software



Product code	Product description	
TST5105	AaltoCtrl signal amplifier (used when necessary)	The signal amplifier connected to the AaltoCtrl network enhances the transfer of the signal in properties with exceptionally thick walls or other obstacles. The signal amplifier can also be used when the distances between the luminaires are long.
TST5107	AaltoCtrl emergency relay output module	The alert relay output module connected to the AaltoCtrl PC software allows transferring faults detected in the AaltoCtrl system to other systems, such as building automation systems, or relay controlled devices. All the luminaires or some luminaires of the property, such as the luminaires in one floor, can be specified for the relay output module. The AaltoCtrl WMU monitoring unit includes an integrated alert relay output module.

PAN-ID code

PAN-ID is used to lock AaltoCtrl luminaires to a specific network and allow them to communicate only with a corresponding AaltoCtrl coordinator. This is necessary when several AaltoCtrl networks and coordinators are used in the same area. If the property has an existing AaltoCtrl system and additional self-contained luminaires need to be added to it, inform us of the PAN-ID code of the existing network. We will add the correct PAN-ID codes to the new luminaires at the factory.

The PAN-ID code contains maximum four characters, and it comprises either letters (a-f) or numbers. The code can be 123F, for example. If no network-specific code is specified, the default code set at the factory is 5457. Three RF-ID/PAN-ID labels are sent with the luminaires. These should be attached to the outside of a recessed luminaire and in the building's drawings to indicate the location of the luminaire, when installing new luminaires.



LumiTest

AaltoCtrl luminaires always include the LumiTest self-testing feature. The LumiTest functionality monitors and tests the luminaires automatically and reliably.

Two indicator LEDs, one green and one red, indicate the status of the luminaire. A red LED indicates that the luminaire has a fault.

The operation of the luminaire and its light source are tested daily. The emergency duration time test is conducted every six months.

The product code of luminaires with the self-testing feature ends with "WA" or "WM".

LumiTest indicator LEDs *	
	No power
	Normal status
	Low charge
	Luminaire fault status
	Battery/capacitor fault status
	Battery/capacitor not connected
	Luminaire and battery/capacitor fault status
	Test in progress

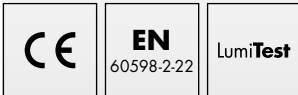
* Applies to luminaires with two indicator LEDs.

Symbols	
	Blinking slowly (1 Hz, once a second)
	Blinking fast (2 Hz, twice a second)
	OFF
	ON



Steel

Self-contained emergency exit light



An elegant emergency exit light with a metal frame for high-class premises

The Teknoware Steel is an airy, elegant and durable emergency exit light. The light plate in the elegant luminaire has a narrow, glossy metal frame, which makes it suitable for high-class premises. The luminaire can be used as one- or two-sided, and depending on the model, it is suitable for ceiling, wall or suspension mounting. Thanks to its different mounting options, viewing distance of up to 60 metres and polished look, the Steel is a versatile and viable option for applications where the emergency exit light needs to be both elegant and durable.

The product is available with an Escap supercapacitor or battery and wireless AaltoCtrl remote monitoring.



Viewing distance

26, 40 or 60 metres, depending on the model.

Several mounting options

Separate models for ceiling, wall and suspension mounting.

Elegant

Airy and elegant emergency exit light with a stainless steel frame.

Versatile

Can be used as one or two-sided.



HIGHLIGHTS



FOR REFINED SPACES



EXTENSIVE PRODUCT RANGE

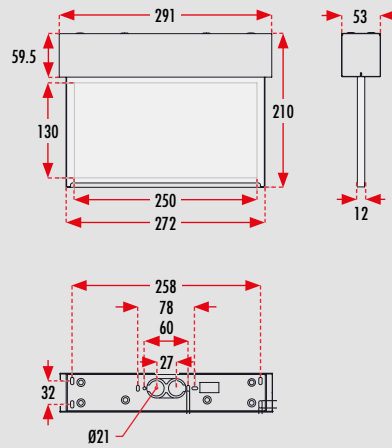


METAL BODY

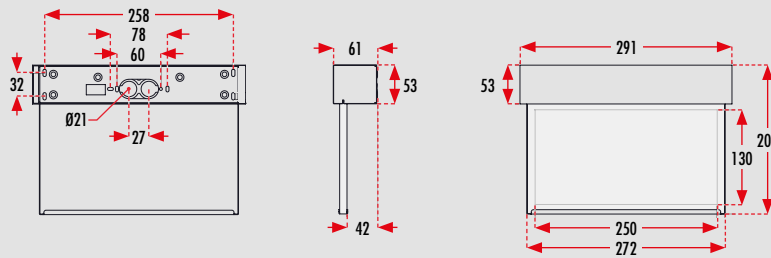
max.
60m

VIEWING DISTANCE

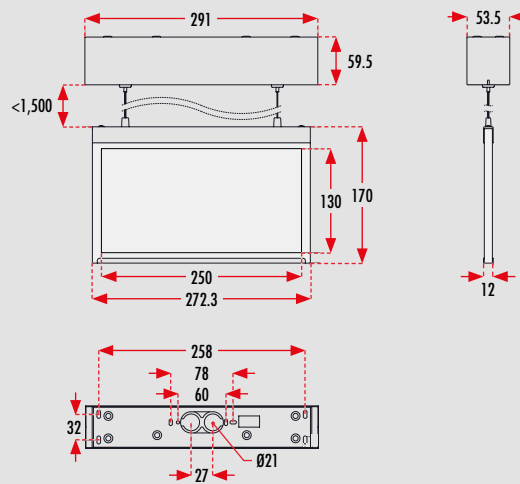
Steel | 26 m, ceiling mounting



Steel | 26 m, wall mounting



Steel | 26 m, suspension mounting with wire*



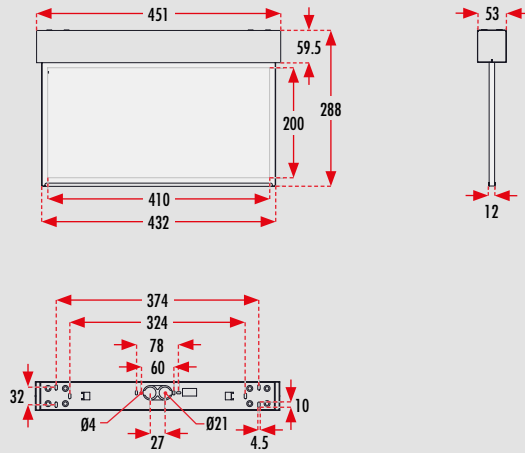
* The maximum wire length is 1,500 mm, and it can also be shorter.

Product
information
on page 220

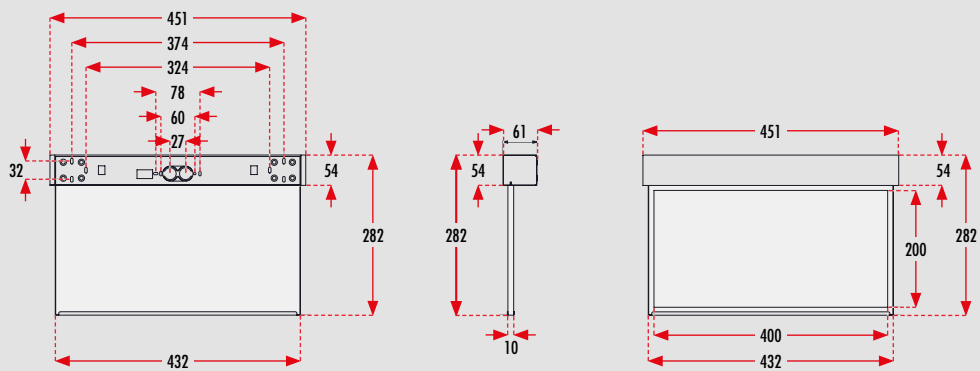
Steel

Dimensions [mm]

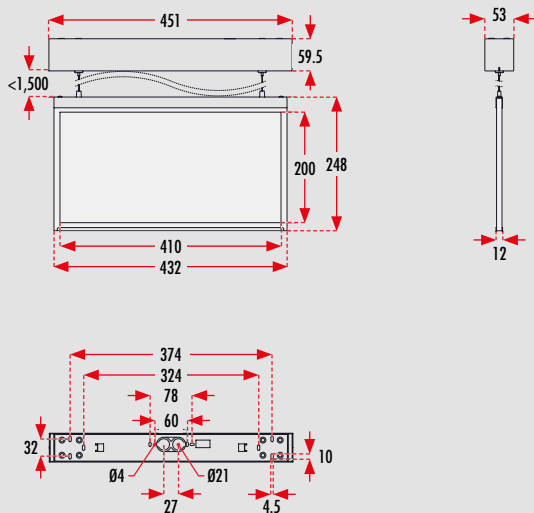
Steel | 40 m, ceiling mounting



Steel | 40 m, wall mounting



Steel | 40 m, suspension mounting with wire*

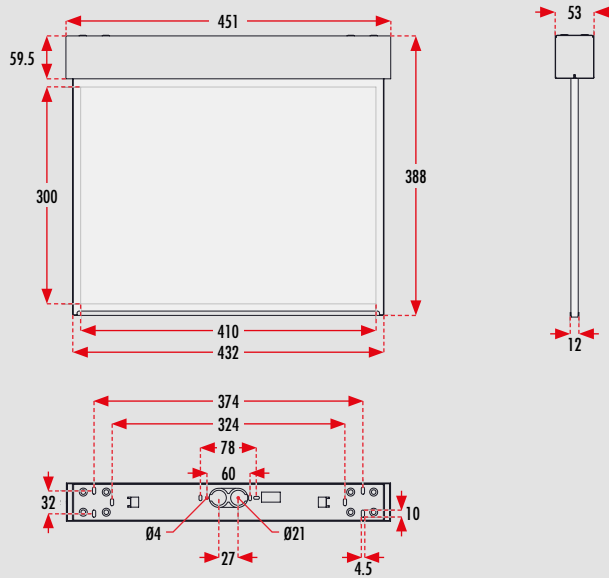


* The maximum wire length is 1,500 mm, and it can also be shorter.

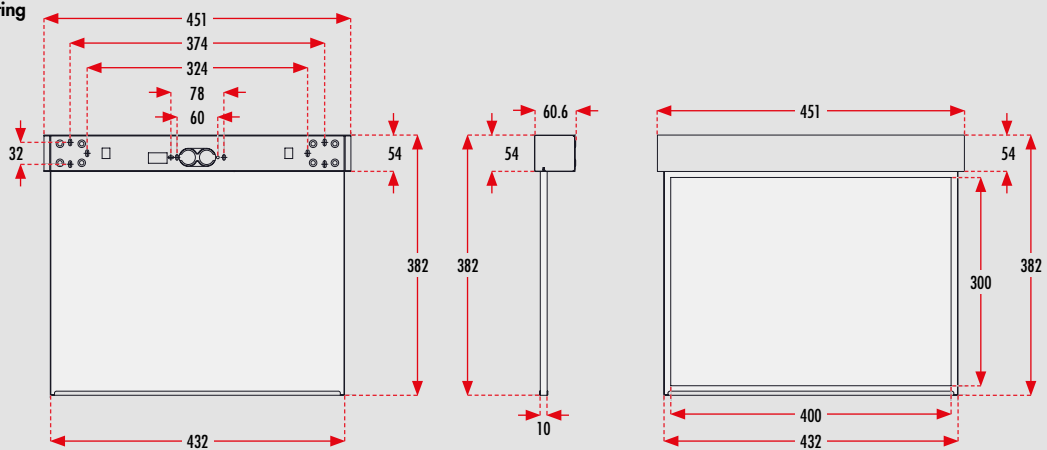
Steel

Dimensions [mm]

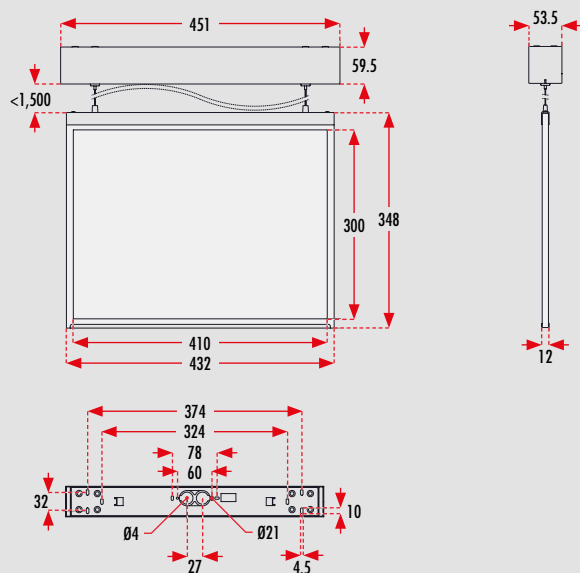
Steel | 60 m, ceiling mounting



Steel | 60 m, wall mounting



Steel | 60 m, suspension mounting with wire*



* The maximum wire length is 1,500 mm, and it can also be shorter.

Steel

Emergency exit lights with 1-hour supercapacitor and wireless remote monitoring, viewing distance 26 m



Viewing distance	Mounting	Product code	Nominal supply voltage	Max. input power during charging	Operation time	Operating temperature	Electrical installation	Protection class	Weight
26 m	Ceiling	TWSE192WA	220–240 V 50/60 Hz AC	4.1 VA	1 h	–25...+35°C	3 x 2.5 mm ²	1	1.5 kg
26 m	Wall	TWSE292WA	220–240 V 50/60 Hz AC	4.1 VA	1 h	–25...+35°C	3 x 2.5 mm ²	1	1.5 kg
26 m	Suspension	TWSE392WA	220–240 V 50/60 Hz AC	4.1 VA	1 h	–25...+35°C	3 x 2.5 mm ²	1	1.5 kg

Emergency exit lights with 1-hour supercapacitor, viewing distance 26 m



Viewing distance	Mounting	Product code	Nominal supply voltage	Max. input power during charging	Operation time	Operating temperature	Electrical installation	Protection class	Weight
26 m	Ceiling	TWSE192WM	220–240 V 50/60 Hz AC	3.9 VA	1 h	–25...+35°C	3 x 2.5 mm ²	1	1.5 kg
26 m	Wall	TWSE292WM	220–240 V 50/60 Hz AC	3.9 VA	1 h	–25...+35°C	3 x 2.5 mm ²	1	1.5 kg
26 m	Suspension	TWSE392WM	220–240 V 50/60 Hz AC	3.9 VA	1 h	–25...+35°C	3 x 2.5 mm ²	1	1.5 kg

Separately ordered pictograms, viewing distance 26 m

Product code	Pictogram	Product description	Viewing distance
PBVEX262E		down arrow, two-sided	26 m
PBVEX261E		side arrow, two-sided	26 m
PBVEX265E		up arrow, two-sided	26 m
PBVEX262E3		down arrow, one-sided	26 m
PBVEX261E2		left arrow, one-sided	26 m
PBVEX261E1		right arrow, one-sided	26 m
PBVEX265E3		up arrow, one-sided	26 m
PBVEX262E		down arrow, two-sided	26 m
PBVEX261E		side arrow, two-sided	26 m
PBVEX265E		up arrow, two-sided	26 m
PBVEX262E3		down arrow, one-sided	26 m

Emergency exit lights with 1-hour supercapacitor and wireless remote monitoring, viewing distance 40 m



Viewing distance	Mounting	Product code	Nominal supply voltage	Max. input power during charging	Operation time	Operating temperature	Electrical installation	Protection class	Weight
40 m	Ceiling	TWSE492WA	220–240 V 50/60 Hz AC	4.1 VA	1 h	–25...+35°C	3 x 2.5 mm ²	1	2.9 kg
40 m	Wall	TWSE892WA	220–240 V 50/60 Hz AC	4.1 VA	1 h	–25...+35°C	3 x 2.5 mm ²	1	2.9 kg
40 m	Suspension	TWSE592WA	220–240 V 50/60 Hz AC	4.1 VA	1 h	–25...+35°C	3 x 2.5 mm ²	1	2.9 kg

Emergency exit lights with 1-hour supercapacitor, viewing distance 40 m



Viewing distance	Mounting	Product code	Nominal supply voltage	Max. input power during charging	Operation time	Operating temperature	Electrical installation	Protection class	Weight
40 m	Ceiling	TWSE492WM	220–240 V 50/60 Hz AC	3.9 VA	1 h	–25...+35°C	3 x 2.5 mm ²	1	2.9 kg
40 m	Wall	TWSE892WM	220–240 V 50/60 Hz AC	3.9 VA	1 h	–25...+35°C	3 x 2.5 mm ²	1	2.9 kg
40 m	Suspension	TWSE592WM	220–240 V 50/60 Hz AC	3.9 VA	1 h	–25...+35°C	3 x 2.5 mm ²	1	2.9 kg

Steel

Separately ordered pictograms, viewing distance 40 m

Product code	Pictogram	Product description	Viewing distance
PBVEX402E		down arrow, two-sided	40 m
PBVEX401E		side arrow, two-sided	40 m
PBVEX405E		up arrow, two-sided	40 m
PBVEX402E3		down arrow, one-sided	40 m
PBVEX401E2		left arrow, one-sided	40 m
PBVEX401E1		right arrow, one-sided	40 m
PBVEX405E3		up arrow, one-sided	40 m

Emergency exit lights with 1-hour supercapacitor and wireless remote monitoring, viewing distance 60 m



Viewing distance	Mounting	Product code	Nominal supply voltage	Max. input power during charging	Operation time	Operating temperature	Electrical installation	Protection class	Weight
60 m	Ceiling	TWSE692WA	220–240 V 50/60 Hz AC	4.1 VA	1 h	–25...+35°C	3 x 2.5 mm ²	1	3.5 kg
60 m	Wall	TWSE992WA	220–240 V 50/60 Hz AC	4.1 VA	1 h	–25...+35°C	3 x 2.5 mm ²	1	3.5 kg
60 m	Suspension	TWSE792WA	220–240 V 50/60 Hz AC	4.1 VA	1 h	–25...+35°C	3 x 2.5 mm ²	1	3.5 kg

Emergency exit lights with 1-hour supercapacitor, viewing distance 60 m










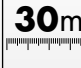




Viewing distance	Mounting	Product code	Nominal supply voltage	Max. input power during charging	Operation time	Operating temperature	Electrical installation	Protection class	Weight
60 m	Ceiling	TWSE692WM	220–240 V 50/60 Hz AC	3.9 VA	1 h	–25...+35°C	3 x 2.5 mm ²	1	3.5 kg
60 m	Wall	TWSE992WM	220–240 V 50/60 Hz AC	3.9 VA	1 h	–25...+35°C	3 x 2.5 mm ²	1	3.5 kg
60 m	Suspension	TWSE792WM	220–240 V 50/60 Hz AC	3.9 VA	1 h	–25...+35°C	3 x 2.5 mm ²	1	3.5 kg

Separately ordered pictograms, viewing distance 60 m

Product code	Pictogram	Product description	Viewing distance
PBVEX602E		down arrow, two-sided	60 m
PBVEX601E		side arrow, two-sided	60 m
PBVEX605E		up arrow, two-sided	60 m
PBVEX602E3		down arrow, one-sided	60 m
PBVEX601E2		left arrow, one-sided	60 m
PBVEX601E1		right arrow, one-sided	60 m
PBVEX605E3		up arrow, one-sided	60 m

ESC 80

Self-contained emergency exit light

 LED	 IP 44	 RAL 9003	 RAL 9005	 OTHER RAL COLOURS BY ORDER
 20m	 26m	 30m	 -O-	
 CE	 EN 60598-2-22	 LumiTest		

Stylish emergency exit light with a light plate

The Teknoware ESC 80 is an emergency exit light that is an excellent choice for more refined spaces and, thanks to its IP44 enclosure class, it is also suitable for wet spaces.

The emergency exit light has a light plate, and it is available in three sizes, with viewing distances of 20, 26 or 30 metres. ESC 80 can be used as one or two-sided. ESC 80 is suitable for ceiling- and wall mounting as standard.

Mounting is quick and easy because the power supply is connected to a separate mounting piece that is delivered with the product. The ESC 80 can also be recess, suspension or flag mounted with easy-to-use accessories. The standard colours are white (RAL 9003) and black (RAL 9005). Other RAL colours are available upon special order.

The product is available with an Escap supercapacitor or battery and wireless AaltoCtrl remote monitoring.



Viewing distance
20, 26 or 30 metres, depending on the model.

Versatile
The same frame can be used in different mounting methods.

Splash-resistant
IP 44.

Quick and easy mounting
Ceiling or wall mounting with the separate mounting piece that is supplied with the product.

Available as a dimmable model
Ideal for cinemas, for example.



HIGHLIGHTS



FOR REFINED SPACES



EXTENSIVE PRODUCT RANGE

max.
30m

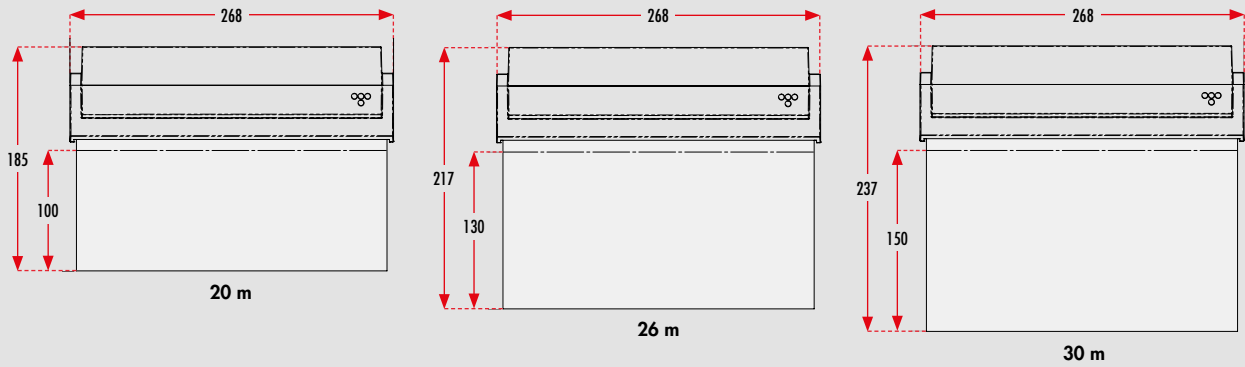
VIEWING DISTANCE



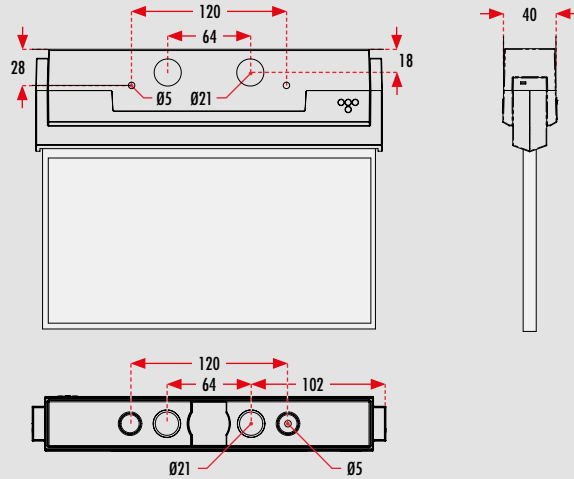
SPLASH-RESISTANT

Dimensions [mm]

ESC 80 | Luminaires



ESC 80 | Enclosure dimensions



Emergency exit lights with 1-hour supercapacitor and wireless remote monitoring



Colour	Product code	Nominal supply voltage	Max. input power during charging	Operation time	Operating temperature	Electrical installation	Protection class	Weight
□	TWS8092WA	220–240 V 50/60 Hz AC	4 VA	1 h	–25...+35°C	2/3 x 2.5 mm ²	2	0.74 kg
■	TWS8092WAT	220–240 V 50/60 Hz AC	4 VA	1 h	–25...+35°C	2/3 x 2.5 mm ²	2	0.74 kg
□	TWS8092WAR *	220–240 V 50/60 Hz AC	2.4 VA	1 h	–25...+35°C	2/3 x 2.5 mm ²	2	0.74 kg
■	TWS8092WART *	220–240 V 50/60 Hz AC	2.4 VA	1 h	–25...+35°C	2/3 x 2.5 mm ²	2	0.74 kg

* Dimmable model that is ideal for places such as cinemas.

Emergency exit lights with 1-hour supercapacitor



Colour	Product code	Nominal supply voltage	Max. input power during charging	Operation time	Operating temperature	Electrical installation	Protection class	Weight
□	TWS8092WM	220–240 V 50/60 Hz AC	4 VA	1 h	–25...+35°C	2/3 x 2.5 mm ²	2	0.74 kg
■	TWS8092WMT	220–240 V 50/60 Hz AC	4 VA	1 h	–25...+35°C	2/3 x 2.5 mm ²	2	0.74 kg
□	TWS8092WMR *	220–240 V 50/60 Hz AC	2.1 VA	1 h	–25...+35°C	2/3 x 2.5 mm ²	2	0.74 kg
■	TWS8092WMRT *	220–240 V 50/60 Hz AC	2.1 VA	1 h	–25...+35°C	2/3 x 2.5 mm ²	2	0.74 kg

* Dimmable model that is ideal for places such as cinemas.

ESC 80

Emergency exit lights with 3-hour battery and wireless remote monitoring



Colour	Product code	Nominal supply voltage	Max. input power during charging	Operation time	Operating temperature	Electrical installation	Protection class	Weight
□	TWT8053WA	220–240 V 50/60 Hz AC	5.3 VA	3 h	–5...+30°C	2/3 x 2.5 mm ²	2	0.74 kg
■	TWT8053WAT	220–240 V 50/60 Hz AC	5.3 VA	3 h	–5...+30°C	2/3 x 2.5 mm ²	2	0.74 kg

Emergency exit lights with 3-hour battery










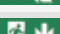







Colour	Product code	Nominal supply voltage	Max. input power during charging	Operation time	Operating temperature	Electrical installation	Protection class	Weight
□	TWT8053WM	220–240 V 50/60 Hz AC	5.3 VA	3 h	–5...+30°C	2/3 x 2.5 mm ²	2	0.74 kg
■	TWT8053WMT	220–240 V 50/60 Hz AC	5.3 VA	3 h	–5...+30°C	2/3 x 2.5 mm ²	2	0.74 kg

Individually packed emergency exit lights with 1-hour supercapacitor and wireless remote monitoring



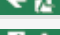












Colour	Product code	Luminaire	Pictogram
□	Y8092WA103	TWS8092WA	20 m, two-sided pictogram
□	Y8092WA108	TWS8092WA	20 m, one-sided pictogram
□	Y8092WA107	TWS8092WA	20 m, one-sided pictogram
□	Y8092WA105	TWS8092WA	20 m, two-sided pictogram
□	Y8092WA109	TWS8092WA	20 m, one-sided pictogram
□	Y8092WA133	TWS8092WA	26 m, two-sided pictogram
□	Y8092WA138	TWS8092WA	26 m, one-sided pictogram
□	Y8092WA137	TWS8092WA	26 m, one-sided pictogram
□	Y8092WA135	TWS8092WA	26 m, two-sided pictogram
□	Y8092WA139	TWS8092WA	26 m, one-sided pictogram
□	Y8092WA143	TWS8092WA	30 m, two-sided pictogram
□	Y8092WA148	TWS8092WA	30 m, one-sided pictogram
□	Y8092WA147	TWS8092WA	30 m, one-sided pictogram
□	Y8092WA145	TWS8092WA	30 m, two-sided pictogram
□	Y8092WA149	TWS8092WA	30 m, one-sided pictogram

ESC 80

Individually packed emergency exit lights with 1-hour supercapacitor
















Colour	Product code	Luminaire	Pictogram
<input type="checkbox"/>	Y8092WM103	TWS8092WM	20 m, two-sided pictogram 
<input type="checkbox"/>	Y8092WM108	TWS8092WM	20 m, one-sided pictogram 
<input type="checkbox"/>	Y8092WM107	TWS8092WM	20 m, one-sided pictogram 
<input type="checkbox"/>	Y8092WM105	TWS8092WM	20 m, two-sided pictogram 
<input type="checkbox"/>	Y8092WM109	TWS8092WM	20 m, one-sided pictogram 
<input type="checkbox"/>	Y8092WM133	TWS8092WM	26 m, two-sided pictogram 
<input type="checkbox"/>	Y8092WM138	TWS8092WM	26 m, one-sided pictogram 
<input type="checkbox"/>	Y8092WM137	TWS8092WM	26 m, one-sided pictogram 
<input type="checkbox"/>	Y8092WM135	TWS8092WM	26 m, two-sided pictogram 
<input type="checkbox"/>	Y8092WM139	TWS8092WM	26 m, one-sided pictogram 
<input type="checkbox"/>	Y8092WM143	TWS8092WM	30 m, two-sided pictogram 
<input type="checkbox"/>	Y8092WM148	TWS8092WM	30 m, one-sided pictogram 
<input type="checkbox"/>	Y8092WM147	TWS8092WM	30 m, one-sided pictogram 
<input type="checkbox"/>	Y8092WM145	TWS8092WM	30 m, two-sided pictogram 
<input type="checkbox"/>	Y8092WM149	TWS8092WM	30 m, one-sided pictogram 

Individually packed emergency exit lights with 3-hour battery and wireless remote monitoring






















Colour	Product code	Luminaire	Pictogram
<input type="checkbox"/>	Y8053WA103	TWT8053WA	20 m, two-sided pictogram 
<input type="checkbox"/>	Y8053WA108	TWT8053WA	20 m, one-sided pictogram 
<input type="checkbox"/>	Y8053WA107	TWT8053WA	20 m, one-sided pictogram 
<input type="checkbox"/>	Y8053WA105	TWT8053WA	20 m, two-sided pictogram 
<input type="checkbox"/>	Y8053WA109	TWT8053WA	20 m, one-sided pictogram 
<input type="checkbox"/>	Y8053WA133	TWT8053WA	26 m, two-sided pictogram 
<input type="checkbox"/>	Y8053WA138	TWT8053WA	26 m, one-sided pictogram 
<input type="checkbox"/>	Y8053WA137	TWT8053WA	26 m, one-sided pictogram 
<input type="checkbox"/>	Y8053WA135	TWT8053WA	26 m, two-sided pictogram 
<input type="checkbox"/>	Y8053WA139	TWT8053WA	26 m, one-sided pictogram 
<input type="checkbox"/>	Y8053WA143	TWT8053WA	30 m, two-sided pictogram 
<input type="checkbox"/>	Y8053WA148	TWT8053WA	30 m, one-sided pictogram 
<input type="checkbox"/>	Y8053WA147	TWT8053WA	30 m, one-sided pictogram 
<input type="checkbox"/>	Y8053WA145	TWT8053WA	30 m, two-sided pictogram 
<input type="checkbox"/>	Y8053WA149	TWT8053WA	30 m, one-sided pictogram 

ESC 80

Individually packed emergency exit lights with 3-hour battery

Colour	Product code	Luminaire	Pictogram
<input type="checkbox"/>	Y8053WM103	TWT8053WM	20 m, two-sided pictogram 
<input type="checkbox"/>	Y8053WM108	TWT8053WM	20 m, one-sided pictogram 
<input type="checkbox"/>	Y8053WM107	TWT8053WM	20 m, one-sided pictogram 
<input type="checkbox"/>	Y8053WM105	TWT8053WM	20 m, two-sided pictogram 
<input type="checkbox"/>	Y8053WM109	TWT8053WM	20 m, one-sided pictogram 
<input type="checkbox"/>	Y8053WM133	TWT8053WM	26 m, two-sided pictogram 
<input type="checkbox"/>	Y8053WM138	TWT8053WM	26 m, one-sided pictogram 
<input type="checkbox"/>	Y8053WM137	TWT8053WM	26 m, one-sided pictogram 
<input type="checkbox"/>	Y8053WM135	TWT8053WM	26 m, two-sided pictogram 
<input type="checkbox"/>	Y8053WM139	TWT8053WM	26 m, one-sided pictogram 
<input type="checkbox"/>	Y8053WM143	TWT8053WM	30 m, two-sided pictogram 
<input type="checkbox"/>	Y8053WM148	TWT8053WM	30 m, one-sided pictogram 
<input type="checkbox"/>	Y8053WM147	TWT8053WM	30 m, one-sided pictogram 
<input type="checkbox"/>	Y8053WM145	TWT8053WM	30 m, two-sided pictogram 
<input type="checkbox"/>	Y8053WM149	TWT8053WM	30 m, one-sided pictogram 

Separately ordered pictograms

Product code	Pictogram	Product description	Viewing distance
PBV80202E		down arrow, two-sided	20 m
PBV80202E3		down arrow, one-sided	20 m
PBV80201E		side arrow, two-sided	20 m
PBV80201E1		right arrow, one-sided	20 m
PBV80201E2		left arrow, one-sided	20 m
PBV80205E		up arrow, two-sided	20 m
PBV80205E3		up arrow, one-sided	20 m
PBV80262E		down arrow, two-sided	26 m
PBV80262E3		down arrow, one-sided	26 m
PBV80261E		side arrow, two-sided	26 m
PBV80261E1		right arrow, one-sided	26 m
PBV80261E2		left arrow, one-sided	26 m
PBV80265E		up arrow, two-sided	26 m
PBV80265E3		up arrow, one-sided	26 m
PBV80302E		down arrow, two-sided	30 m
PBV80302E3		down arrow, one-sided	30 m
PBV80301E		side arrow, two-sided	30 m
PBV80301E1		right arrow, one-sided	30 m
PBV80301E2		left arrow, one-sided	30 m
PBV80305E		up arrow, two-sided	30 m
PBV80305E3		up arrow, one-sided	30 m

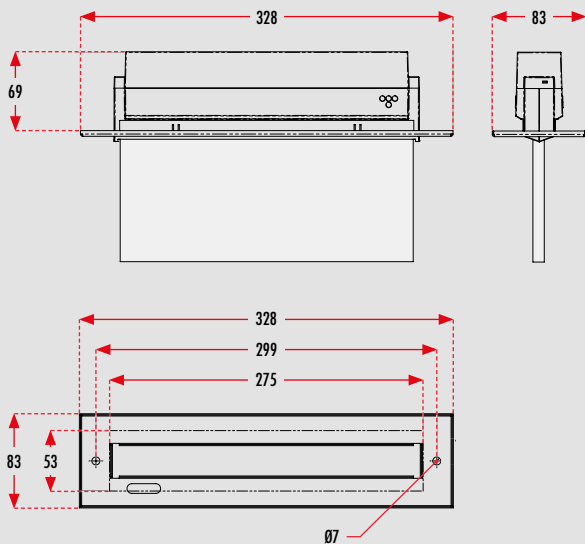
ESC 80

Accessories

Product code	Product description
TWT8001B	Recess mounting frame (screw mounting)
TWT8001BM	Recess mounting frame, black (screw mounting)
TWT8006B	Recess mounting frame (spring mounting)
TWT8006BM	Recess mounting frame, black (spring mounting)
TWT9002	Flag bracket
TWT9002M	Flag bracket, black
TWT9000	Suspension bracket
TWT9000M	Suspension bracket, black
TW77510B	Shock protecting cover

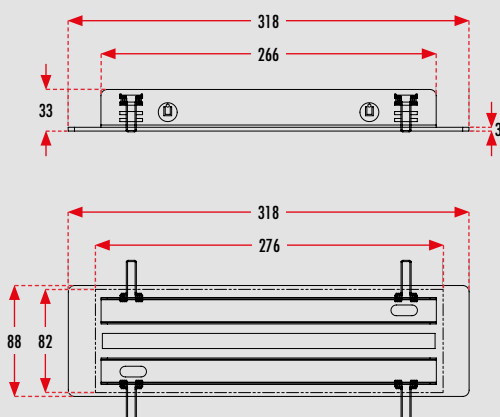
Dimensions [mm]

TWT8001B(M) | Recess mounting frame (screw mounting)*



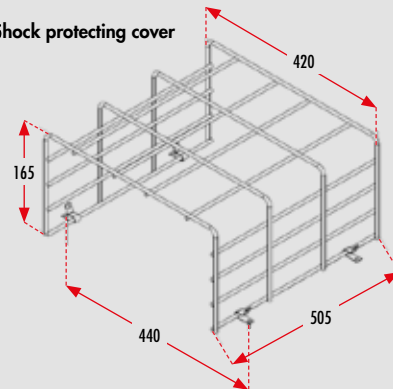
* Aperture for recess mounting 53 mm x 275 mm.

TWT8006B(M) | Recess mounting frame (spring mounting)

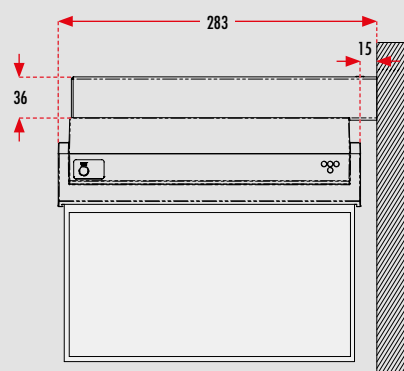


* Aperture for recess mounting 82 mm x 276 mm.

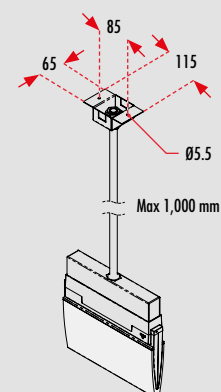
TW77510B | Shock protecting cover



TWT9002(M) | Flag bracket







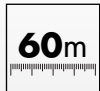


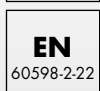
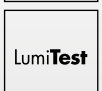


TWT9000(M) | Suspension bracket



ESC 81

Self-contained emergency exit light

 LED	 IP 44	 RAL 9003	 RAL 9005	 OTHER RAL COLOURS BY ORDER
 40m	 60m	 -O-		
 CE	 EN 60598-2-22	 LumiTest		

Stylish emergency exit light with a light plate and a viewing distance of up to 60 metres.

The Teknoware ESC 81 is a stylish emergency exit light that is an excellent choice for more refined spaces and, thanks to its IP44 enclosure class, it is also suitable for wet spaces.

The emergency exit light is equipped with a light plate, and it is available in two sizes, with viewing distances of 40 or 60 metres. ESC 81 can be used as one or two-sided. ESC 81 is suitable for ceiling- and wall mounting as standard. The luminaire is particularly easy and fast to install, thanks to a separate mounting piece, into which the power supply is also connected. The ESC 81 can also be recess, suspension or flag mounted with easy-to-use accessories.

The standard colours are white (RAL 9003) and black (RAL 9005). Other RAL colours are available upon special order.

The product is available with an Escap supercapacitor or battery and wireless AaltoCtrl remote monitoring.



40 m



60 m

Viewing distance

40 or 60 metres, depending on the model.

Versatile

The same frame can be used in different mounting methods.

Splash-resistant

IP 44.

Quick and easy mounting

Ceiling or wall mounting with the separate mounting piece that is supplied with the product.



HIGHLIGHTS



FOR REFINED SPACES



EXTENSIVE PRODUCT RANGE

max.

60m

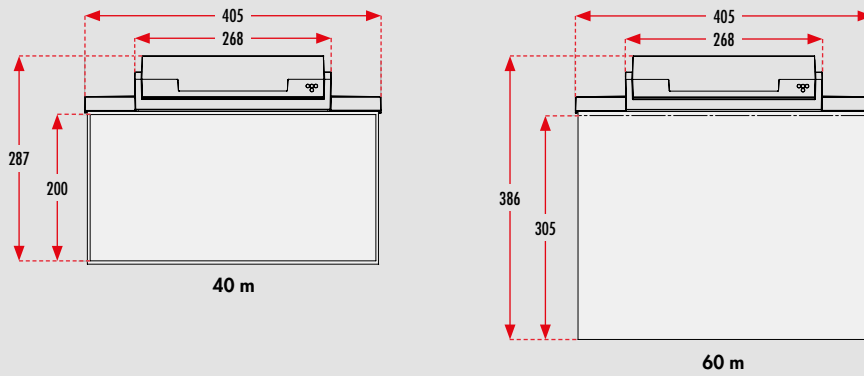
VIEWING DISTANCE



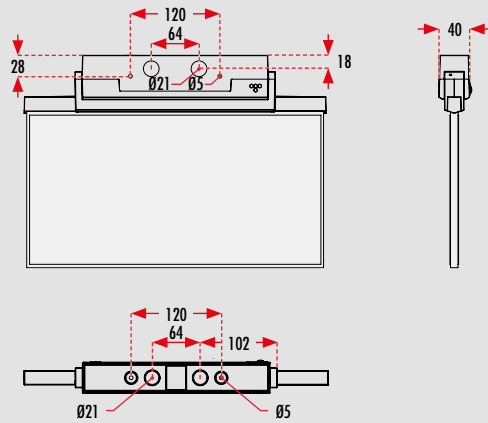
SPLASH-RESISTANT

Dimensions [mm]

ESC 81 | Emergency exit lights



ESC 81 | Enclosure dimensions



Emergency exit lights with 1-hour supercapacitor and wireless remote monitoring



Colour	Product code	Nominal supply voltage	Max. input power during charging	Operation time	Operating temperature	Electrical installation	Protection class	Weight
□	TWS8192WA	220–240 V 50/60 Hz AC	4 VA	1 h	–25...+35°C	2/3 x 2.5 mm ²	2	1.4 kg
■	TWS8192WAT	220–240 V 50/60 Hz AC	4 VA	1 h	–25...+35°C	2/3 x 2.5 mm ²	2	1.4 kg

Emergency exit lights with 1-hour supercapacitor



Colour	Product code	Nominal supply voltage	Max. input power during charging	Operation time	Operating temperature	Electrical installation	Protection class	Weight
□	TWS8192WM	220–240 V 50/60 Hz AC	4 VA	1 h	–25...+35°C	2/3 x 2.5 mm ²	2	1.4 kg
■	TWS8192WMT	220–240 V 50/60 Hz AC	4 VA	1 h	–25...+35°C	2/3 x 2.5 mm ²	2	1.4 kg
□	TWS8192WR *	220–240 V 50/60 Hz AC	4 VA	1 h	–25...+35°C	2/3 x 2.5 mm ²	2	1.4 kg
■	TWS8192WRT *	220–240 V 50/60 Hz AC	4 VA	1 h	–25...+35°C	2/3 x 2.5 mm ²	2	1.4 kg

* Dimmable model that is ideal for places such as cinemas. Does not include LumiTest self-testing.

ESC 81

Emergency exit lights with 3-hour battery and wireless remote monitoring



Colour	Product code	Nominal supply voltage	Max. input power during charging	Operation time	Operating temperature	Electrical installation	Protection class	Weight
□	TWT8153WA	220–240 V 50/60 Hz AC	4.5 VA	3 h	–5...+30°C	2/3 x 2.5 mm ²	2	2.1 kg
■	TWT8153WAT	220–240 V 50/60 Hz AC	4.5 VA	3 h	–5...+30°C	2/3 x 2.5 mm ²	2	2.1 kg

Emergency exit lights with 3-hour battery



Colour	Product code	Nominal supply voltage	Max. input power during charging	Operation time	Operating temperature	Electrical installation	Protection class	Weight
□	TWT8153WM	220–240 V 50/60 Hz AC	4 VA	3 h	–5...+30°C	2/3 x 2.5 mm ²	2	2.1 kg
■	TWT8153WMT	220–240 V 50/60 Hz AC	4 VA	3 h	–5...+30°C	2/3 x 2.5 mm ²	2	2.1 kg

Individually packed emergency exit lights with 1-hour supercapacitor and wireless remote monitoring








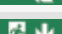


Colour	Product code	Luminaire	Pictogram
□	Y8192WA153	TWS8192WA	40 m, two-sided pictogram
□	Y8192WA158	TWS8192WA	40 m, one-sided pictogram
□	Y8192WA157	TWS8192WA	40 m, one-sided pictogram
□	Y8192WA155	TWS8192WA	40 m, two-sided pictogram
□	Y8192WA159	TWS8192WA	40 m, one-sided pictogram
□	Y8192WA163	TWS8192WA	60 m, two-sided pictogram
□	Y8192WA168	TWS8192WA	60 m, one-sided pictogram
□	Y8192WA167	TWS8192WA	60 m, one-sided pictogram
□	Y8192WA165	TWS8192WA	60 m, two-sided pictogram
□	Y8192WA169	TWS8192WA	60 m, one-sided pictogram

Individually packed emergency exit lights with 1-hour supercapacitor











Colour	Product code	Luminaire	Pictogram
□	Y8192WM153	TWS8192WM	40 m, two-sided pictogram
□	Y8192WM158	TWS8192WM	40 m, one-sided pictogram
□	Y8192WM157	TWS8192WM	40 m, one-sided pictogram
□	Y8192WM155	TWS8192WM	40 m, two-sided pictogram
□	Y8192WM159	TWS8192WM	40 m, one-sided pictogram
□	Y8192WM163	TWS8192WM	60 m, two-sided pictogram
□	Y8192WM168	TWS8192WM	60 m, one-sided pictogram
□	Y8192WM167	TWS8192WM	60 m, one-sided pictogram
□	Y8192WM165	TWS8192WM	60 m, two-sided pictogram
□	Y8192WM169	TWS8192WM	60 m, one-sided pictogram

ESC 81




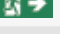










Individually packed emergency exit lights with 3-hour battery and wireless remote monitoring

Colour	Product code	Luminaire	Pictogram
<input type="checkbox"/>	Y8153WA153	TWT8153WA	40 m, two-sided pictogram 
<input type="checkbox"/>	Y8153WA158	TWT8153WA	40 m, one-sided pictogram 
<input type="checkbox"/>	Y8153WA157	TWT8153WA	40 m, one-sided pictogram 
<input type="checkbox"/>	Y8153WA155	TWT8153WA	40 m, two-sided pictogram 
<input type="checkbox"/>	Y8153WA159	TWT8153WA	40 m, one-sided pictogram 
<input type="checkbox"/>	Y8153WA163	TWT8153WA	60 m, two-sided pictogram 
<input type="checkbox"/>	Y8153WA168	TWT8153WA	60 m, one-sided pictogram 
<input type="checkbox"/>	Y8153WA167	TWT8153WA	60 m, one-sided pictogram 
<input type="checkbox"/>	Y8153WA165	TWT8153WA	60 m, two-sided pictogram 
<input type="checkbox"/>	Y8153WA169	TWT8153WA	60 m, one-sided pictogram 

Individually packed emergency exit lights with 3-hour battery

Colour	Product code	Luminaire	Pictogram
<input type="checkbox"/>	Y8153WM153	TWT8153WM	40 m, two-sided pictogram 
<input type="checkbox"/>	Y8153WM158	TWT8153WM	40 m, one-sided pictogram 
<input type="checkbox"/>	Y8153WM157	TWT8153WM	40 m, one-sided pictogram 
<input type="checkbox"/>	Y8153WM155	TWT8153WM	40 m, two-sided pictogram 
<input type="checkbox"/>	Y8153WM159	TWT8153WM	40 m, one-sided pictogram 
<input type="checkbox"/>	Y8153WM163	TWT8153WM	60 m, two-sided pictogram 
<input type="checkbox"/>	Y8153WM168	TWT8153WM	60 m, one-sided pictogram 
<input type="checkbox"/>	Y8153WM167	TWT8153WM	60 m, one-sided pictogram 
<input type="checkbox"/>	Y8153WM165	TWT8153WM	60 m, two-sided pictogram 
<input type="checkbox"/>	Y8153WM169	TWT8153WM	60 m, one-sided pictogram 

Separately ordered pictograms

Product code	Pictogram	Product description	Viewing distance
PBV81402E		down arrow, two-sided	40 m
PBV81402E3		down arrow, one-sided	40 m
PBV81401E		side arrow, two-sided	40 m
PBV81401E1		right arrow, one-sided	40 m
PBV81401E2		left arrow, one-sided	40 m
PBV81405E		up arrow, two-sided	40 m
PBV81405E3		up arrow, one-sided	40 m
PBV81602E		down arrow, two-sided	60 m
PBV81602E3		down arrow, one-sided	60 m
PBV81601E		side arrow, two-sided	60 m
PBV81601E1		right arrow, one-sided	60 m
PBV81601E2		left arrow, one-sided	60 m
PBV81605E		up arrow, two-sided	60 m
PBV81605E3		up arrow, one-sided	60 m

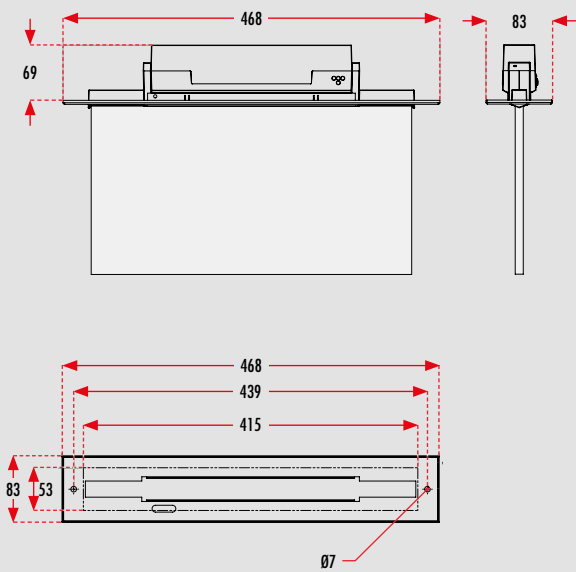
ESC 81

Accessories

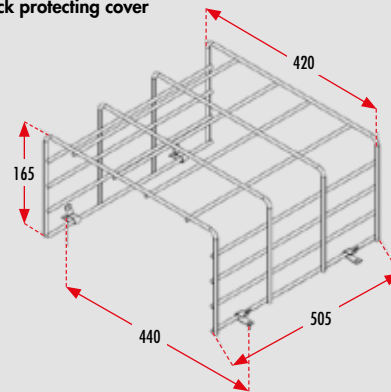
Product code	Product description
TWT8101B	Recess mounting frame
TWT8101BM	Recess mounting frame, black
TWT8102	Flag bracket
TWT8102M	Flag bracket, black
TWT9000	Suspension bracket
TWT9000M	Suspension bracket, black
TW77510B	Shock protecting cover

Dimensions [mm]

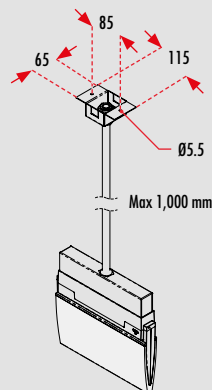
TWT8101B(M) | Recess mounting frame *



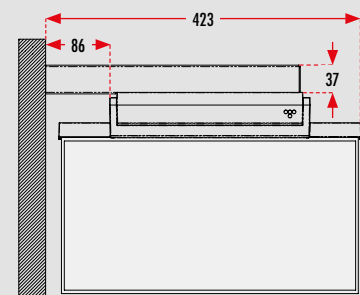
TW77510B | Shock protecting cover



TWT9000(M) | Suspension bracket



TWT8102(M) | Flag bracket

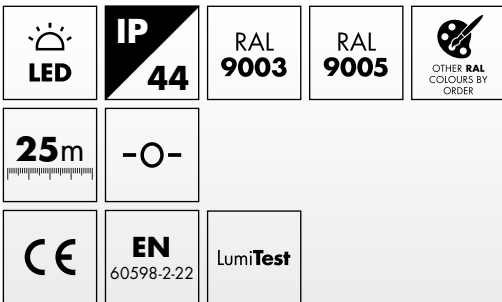


* Aperture for recess mounting 53 mm x 415 mm.



ESC 90

Self-contained emergency exit light



Practical emergency exit light with easily replaceable pictograms

The Teknoware ESC 90 is an easy-to-use and practical emergency exit light for a wide range of applications. Replacing the pictograms is easy, because they are simply inserted into the frame. ESC 90 can be used as one or two-sided.

The ESC 90 is suitable for ceiling- and wall mounting as standard. The luminaire is particularly easy and fast to install, thanks to a separate mounting piece, into which the power supply is also connected. The ESC 90 can also be recess, suspension or flag mounted with easy-to-use accessories.

The standard colours are white (RAL 9003) and black (RAL 9005). Other RAL colours are available upon special order.

The product is available with an Escap supercapacitor or battery and wireless AaltoCtrl remote monitoring.



Easy pictogram replacement

Pictograms are inserted into the frame.

Viewing distance

25 metres.

Versatile

The same frame can be used in different mounting methods.

Splash-resistant

IP 44.

Quick and easy mounting

Ceiling or wall mounting with the separate mounting piece that is supplied with the product.

Available as a dimmable model

Ideal for cinemas, for example.



HIGHLIGHTS



EXTENSIVE
PRODUCT RANGE



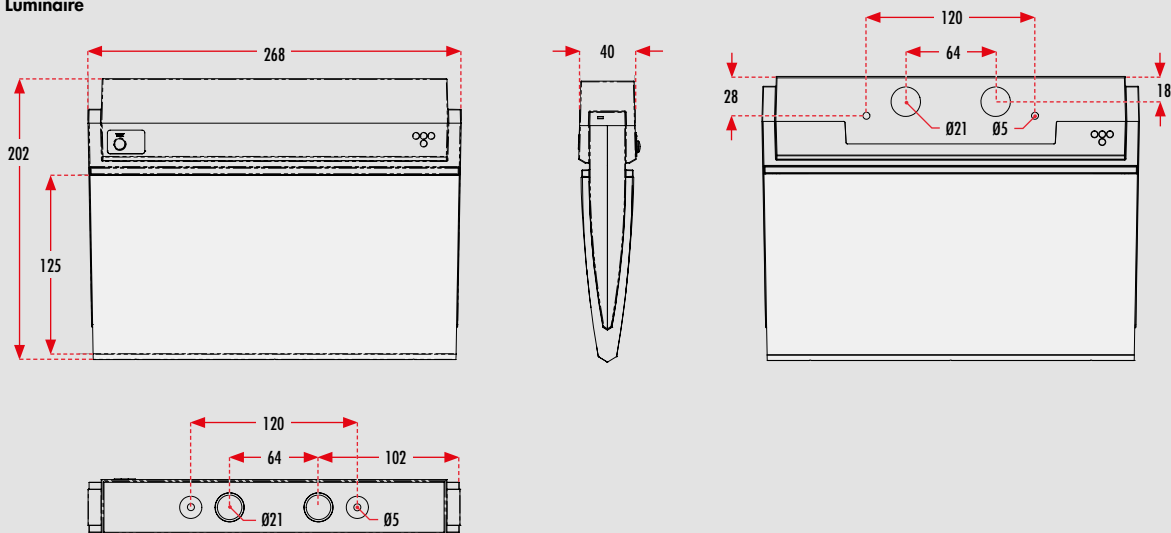
WIDE RANGE OF
PICTOGRAMS

25_m

VIEWING DISTANCE

Dimensions [mm]

ESC 90 | Luminaire



Emergency exit lights with 1-hour supercapacitor and wireless remote monitoring



Colour	Product code	Nominal supply voltage	Max. input power during charging	Operation time	Operating temperature	Electrical installation	Protection class	Weight
□	TWS9092WA	220–240 V 50/60 Hz AC	4 VA	1 h	–25...+35°C	2/3 x 2.5 mm ²	2	0.6 kg
■	TWS9092WAT	220–240 V 50/60 Hz AC	4 VA	1 h	–25...+35°C	2/3 x 2.5 mm ²	2	0.6 kg
□	TWS9092WAR *	220–240 V 50/60 Hz AC	2.8 VA	1 h	–25...+35°C	2/3 x 2.5 mm ²	2	0.6 kg
■	TWS9092WART *	220–240 V 50/60 Hz AC	2.8 VA	1 h	–25...+35°C	2/3 x 2.5 mm ²	2	0.6 kg

* Dimmable model that is ideal for places such as cinemas.

Emergency exit lights with 1-hour supercapacitor



Colour	Product code	Nominal supply voltage	Max. input power during charging	Operation time	Operating temperature	Electrical installation	Protection class	Weight
□	TWS9092WM	220–240 V 50/60 Hz AC	4 VA	1 h	–25...+35°C	2/3 x 2.5 mm ²	2	0.6 kg
■	TWS9092WMT	220–240 V 50/60 Hz AC	4 VA	1 h	–25...+35°C	2/3 x 2.5 mm ²	2	0.6 kg
□	TWS9092WMR *	220–240 V 50/60 Hz AC	2.5 VA	1 h	–25...+35°C	2/3 x 2.5 mm ²	2	0.6 kg
■	TWS9092WMRT *	220–240 V 50/60 Hz AC	2.5 VA	1 h	–25...+35°C	2/3 x 2.5 mm ²	2	0.6 kg

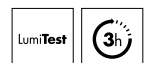
* Dimmable model that is ideal for places such as cinemas.

Emergency exit lights with 3-hour battery and wireless remote monitoring



Colour	Product code	Nominal supply voltage	Max. input power during charging	Operation time	Operating temperature	Electrical installation	Protection class	Weight
□	TWT9053WA	220–240 V 50/60 Hz AC	5.3 VA	3 h	–5...+30°C	2/3 x 2.5 mm ²	2	0.53 kg
■	TWT9053WAT	220–240 V 50/60 Hz AC	5.3 VA	3 h	–5...+30°C	2/3 x 2.5 mm ²	2	0.53 kg


Emergency exit lights with 3-hour battery




Colour	Product code	Nominal supply voltage	Max. input power during charging	Operation time	Operating temperature	Electrical installation	Protection class	Weight
□	TWT9053WM	220–240 V 50/60 Hz AC	5.3 VA	3 h	–5...+30°C	2/3 x 2.5 mm ²	2	0.53 kg
■	TWT9053WMT	220–240 V 50/60 Hz AC	5.3 VA	3 h	–5...+30°C	2/3 x 2.5 mm ²	2	0.53 kg

ESC 90


Individually packed emergency exit lights with 1-hour supercapacitor and wireless remote monitoring

Colour	Product code	Luminaire	Pictogram
<input type="checkbox"/>	Y9092WA120	TWS9092WA	pictogram set PB401 + white cover plate PB9007 


Individually packed emergency exit lights with 1-hour supercapacitor

Colour	Product code	Luminaire	Pictogram
<input type="checkbox"/>	Y9092WM120	TWS9092WM	pictogram set PB401 + white cover plate PB9007 




Individually packed emergency exit lights with 3-hour battery and wireless remote monitoring

Colour	Product code	Luminaire	Pictogram
<input type="checkbox"/>	Y9053WA120	TWT9053WA	pictogram set PB401 + white cover plate PB9007 

Individually packed emergency exit lights with 3-hour battery








Colour	Product code	Luminaire	Pictogram
<input type="checkbox"/>	Y9053WM120	TWT9053WM	pictogram set PB401 + white cover plate PB9007 

Pictograms

Product code	Pictogram	Product description
PB9006		down arrow
PB9005		right arrow
PB9004		left arrow
PB9010		up arrow
PB9007	<input type="checkbox"/>	white cover plate (1/delivery)
PB401		pictogram set (PB9006x2, PB9005 x 1, PB9004 x 1)

If the product is used two-sided, two pictograms are needed

Special pictograms

Product code	Pictogram	Product description
PB9006R		down arrow, accessible exit
PB9005R		right arrow, accessible exit
PB9004R		left arrow, accessible exit
PB9006H		down arrow, accessible exit with lift
PB9005H		right arrow, accessible exit with lift
PB9004H		left arrow, accessible exit with lift
PB9020		fire extinguisher

If the product is used two-sided, two pictograms are needed

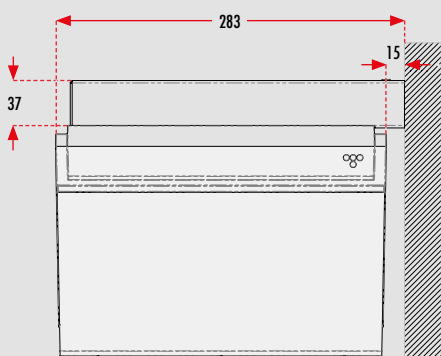
ESC 90

Accessories

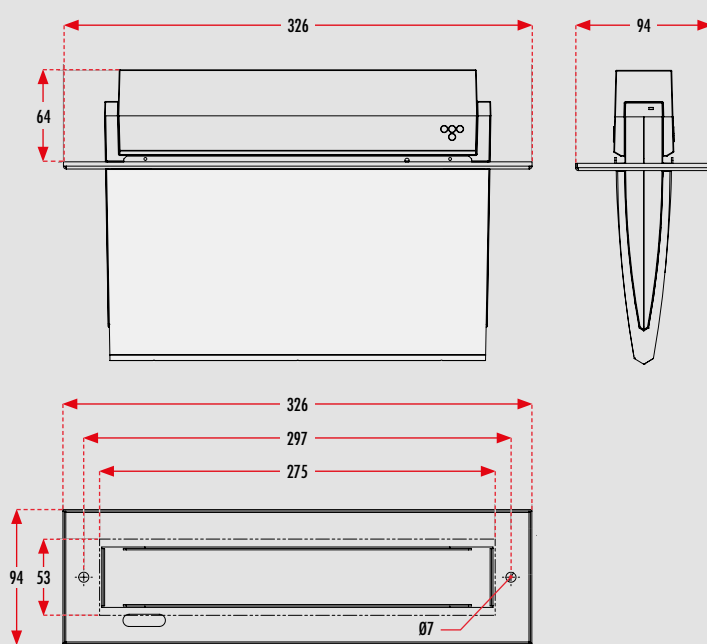
Product code	Product description
TWT9001B	Recess mounting frame
TWT9001BM	Recess mounting frame, black
TWT9002	Flag bracket
TWT9002M	Flag bracket, black
TWT9000	Suspension bracket
TWT9000M	Suspension bracket, black
TW77508B	Shock protecting cover

Dimensions [mm]

TWT9002(M) | Flag bracket

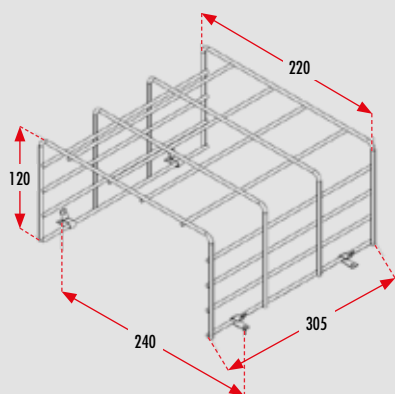


TWT9001B(M) | Recess mounting frame

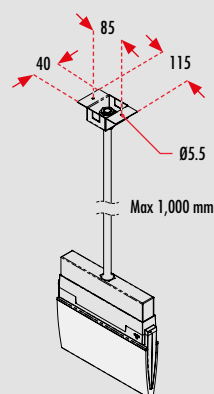


* Aperture for recess mounting 53 mm x 275 mm.

TW77508B | Shock protecting cover

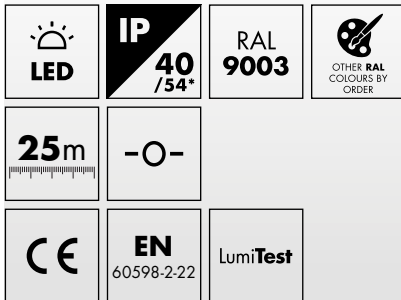


TWT9000(M) | Suspension bracket



Easy: Combo

Self-contained emergency exit light or self-contained emergency light



A combination luminaire that can be used either as an emergency light or as an emergency exit light.

When fitted with the rotatable pictogram, the Easy Combo can show the direction arrow pointing up, down, left or right (pictogram included in the individually packed product). When using the Combo as an emergency exit luminaire, the ceiling mounting requires a separate ceiling bracket (TWTB104). Without the sign, the Combo works as an emergency light.

Thanks to its practical design, the Easy Combo can be easily surface or recess mounted – ceiling, suspension and flag mounting is available with a separate bracket. The standard colour is white (RAL 9003), other RAL colours are available upon special order. The Easy product family is an ideal choice when you want a single fixture for your entire property's emergency lighting needs.

The product is available with a battery and wireless AaltoCtrl remote monitoring.



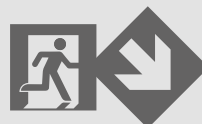
- **Dust- and water-resistant ***
The luminaire is IP40 rated (* IP54 with a separate gasket).
- **Easy to install**
Surface or semi-recessed mounting as standard. Ceiling, recess, suspension and flag mounting with a separate bracket / frame.
- **Combination luminaire**
Can be used either as an emergency light or as an emergency exit light.
- **Cost-effective**
Emergency lighting for the entire property with one fixture.
- **Versatile signs**
The rotatable pictogram enables choosing the direction of the emergency exit light. When the Easy Combo is used as an emergency light, the pictogram is not required.



HIGHLIGHTS



MULTI-PURPOSE



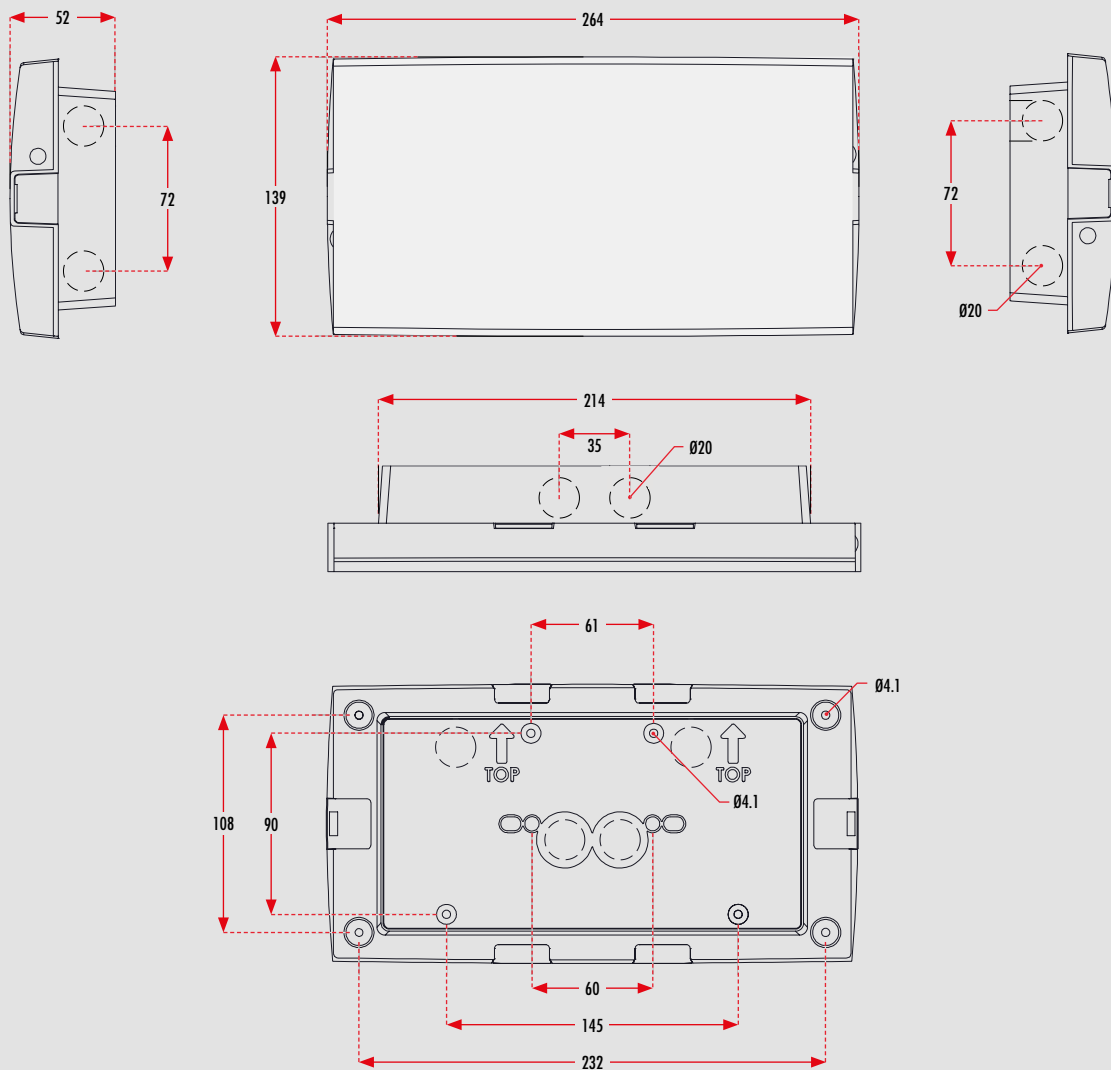
ADJUSTABLE
PICTOGRAMS

25_m

VIEWING DISTANCE

Dimensions [mm]

Easy Combo | Luminaire



Combination lights with 1-hour battery and wireless remote monitoring



Product code	Nominal supply voltage	Max. input power during charging	Operation time	Luminous flux	Operating temperature	Electrical installation	Protection class	Weight
TWTB152WA	220–240 V 50/60 Hz AC	8 VA	1 h	170 lm	–5...+35°C	2/3 x 2.5 mm ²	2	0.55 kg

Combination lights with 3-hour battery and wireless remote monitoring



Product code	Nominal supply voltage	Max. input power during charging	Operation time	Luminous flux	Operating temperature	Electrical installation	Protection class	Weight
TWTB153WA	220–240 V 50/60 Hz AC	8 VA	3 h	170 lm	–5...+35°C	2/3 x 2.5 mm ²	2	0.55 kg

Combination lights with 1-hour battery



Product code	Nominal supply voltage	Max. input power during charging	Operation time	Luminous flux	Operating temperature	Electrical installation	Protection class	Weight
TWTB152WM	220–240 V 50/60 Hz AC	8 VA	1 h	170 lm	–5...+35°C	2/3 x 2.5 mm ²	2	0.55 kg


Combination lights with 3-hour battery




Product code	Nominal supply voltage	Max. input power during charging	Operation time	Luminous flux	Operating temperature	Electrical installation	Protection class	Weight
TWTB153WA	220–240 V 50/60 Hz AC	8 VA	3 h	170 lm	–5...+35°C	2/3 x 2.5 mm ²	2	0.55 kg

Easy: Combo


Individually packed combination lights with 1 hour battery and wireless monitoring

Product code	Luminaire	Pictogram
YB152WA120	TWTB152WA	Set of pictograms: product code PBB100 


Individually packed combination lights with 3 hour battery and wireless monitoring

Product code	Luminaire	Pictogram
YB153WA120	TWTB153WA	Set of pictograms: product code PBB100 

Individually packed combination lights with 1 hour battery

Product code	Luminaire	Pictogram
YB152WM120	TWTB152WM	Set of pictograms: product code PBB100 

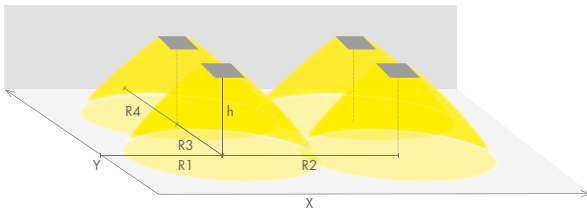
Individually packed combination lights with 3 hour battery

Product code	Luminaire	Pictogram
YB153WM120	TWTB153WM	Set of pictograms: product code PBB100 

Separately ordered pictograms

Product code	Pictogram	Product description	Viewing distance
PBB100		Rotatable pictogram	25 m

Light distribution | Emergency lighting for open areas (ceiling mounting)

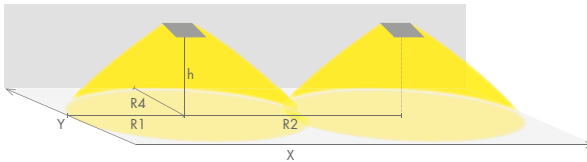


- 0.5 lux table for open areas, in accordance with EN 1838; 0.5-m border zone is taken into account in the table.
 - Level of measurement 0.02 m, measurement result in emergency mode.
- R1** distance from wall, X axis **R3** mounting distance, Y axis
R2 mounting distance, X axis **R4** distance from wall, Y axis

TWTB152WA, TWTB153WA, TWTB152WM, TWTB153WA

Mounting height (m)	Below the light (lx)	R1 (m)	R2 (m)	R3 (m)	R4 (m)
		0.5 lx	0.5 lx	0.5 lx	0.5 lx
2.5	7	3.5	7	7	3.5
3	5	3.5	7	7	3.5
4	2.5	3.5	7.5	7.5	3.5
6	1.2	4	8	8	4

Light distribution | Emergency lighting for escape routes (ceiling mounting)



- 1 lux table for the centre line of an escape route, in accordance with EN 1838.
 - Level of measurement 0.02 m, measurement results in emergency mode.
- R1** distance from wall, X axis **R4** distance from wall, Y axis
R2 mounting distance, X axis

TWTB152WA, TWTB153WA, TWTB152WM, TWTB153WA

Mounting height (m)	Below the light (lx)	R1 (m)	R2 (m)	R4 (m)
		1 lx	1 lx	1 lx
2.5	7	3	8	1
3	5	3	8.5	1
4	2.5	3	9.5	1

Accessories

Product code	Product description
TWTB101	Recess mounting frame
TWTB103	Flag bracket
TWTB104	Ceiling bracket

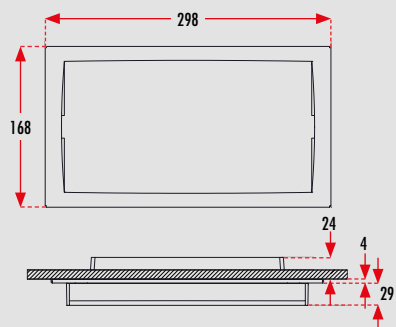
Product code	Product description
TWTB105	Suspension bracket
TW77508B	Shock protecting cover
TWTB110	IP54 gasket

Easy: Combo

Accessories

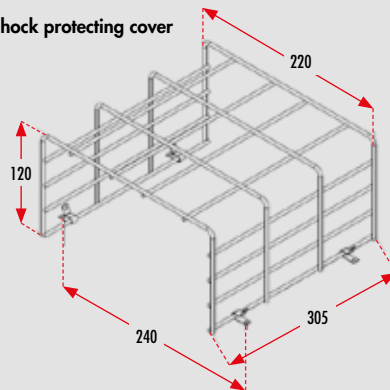
Dimensions [mm]

TWTB101 | Recess mounting frame

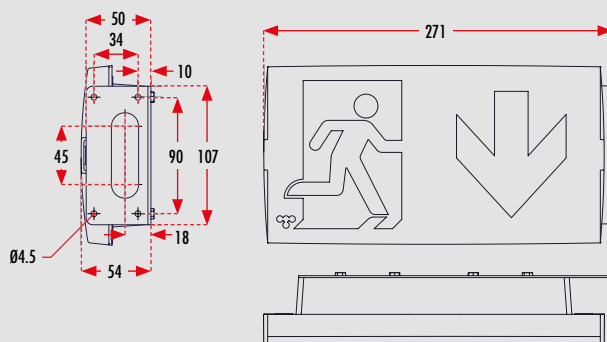


* Aperture for recess mounting 215 mm x 111 mm.

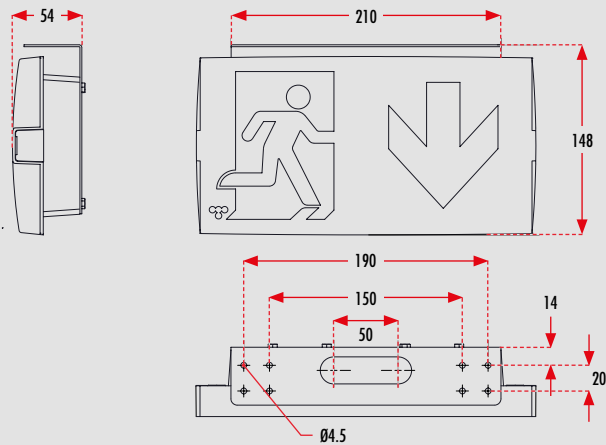
TW77508B | Shock protecting cover



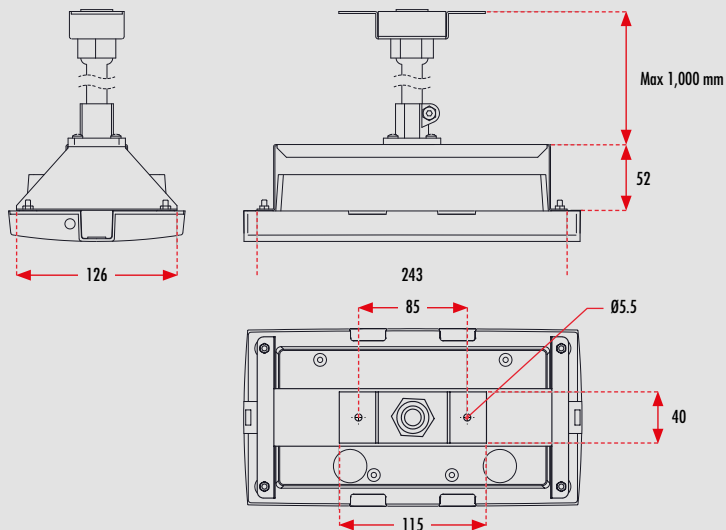
TWTB103 | Flag bracket



TWTB104 | Ceiling bracket

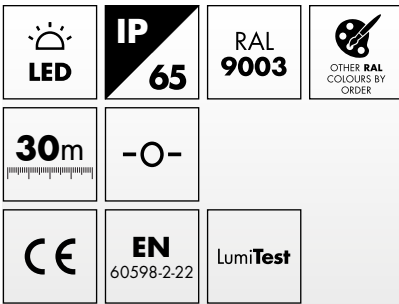


TWTB105 | Suspension bracket



Solid Exit

Self-contained emergency exit light



Durable emergency exit light with easy-to-change pictograms for demanding conditions

The Teknoware Solid Exit is a robust emergency exit light for demanding conditions. The dustproof and water-resistant product's protection class is IP65, which makes it suitable for outdoor use and, for example, industrial spaces and parking halls.

The pictograms of this wall-mounted, one-sided emergency exit light are easy to change. Particular attention was paid to easy mounting in the design of this emergency exit light. The standard colour is white (RAL 9003), other RAL colours are available upon order. The Solid Exit is also available with a downlight for mounting above doors, for example.

The product is available with an Escap supercapacitor or battery and wireless AaltoCtrl remote monitoring.



For demanding conditions

Suitable for outdoor use and, for example, industrial spaces and parking halls.

Viewing distance

30 metres.

Versatile

Also available with a downlight.

Dustproof and water-resistant

IP 65.

Wall mounted

Particular attention was paid to easy installation in the design of this emergency exit light.

Wide range of pictograms

Easy replacement of pictograms.



HIGHLIGHTS



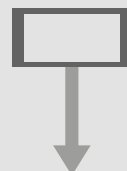
DEMANDING CONDITIONS



EXTENSIVE PRODUCT RANGE



INDOOR AND OUTDOOR USE



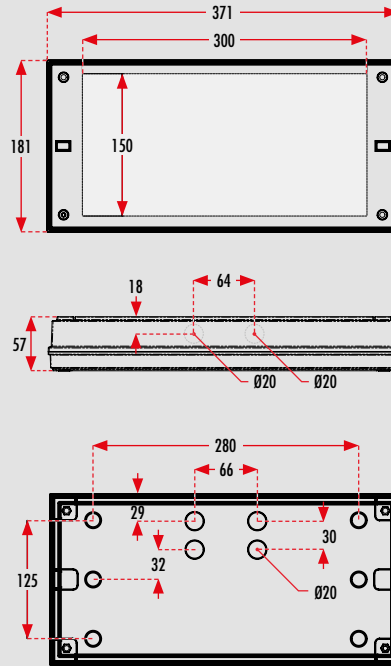
DOWNLIGHT FEATURE



DUSTPROOF AND WATER-RESISTANT

Dimensions [mm]

Solid Exit | Luminaire



Emergency exit lights with 1-hour supercapacitor and wireless remote monitoring



Product code	Nominal supply voltage	Max. input power during charging	Operation time	Operating temperature	Electrical installation	Protection class	Weight
TWS3092WA	220–240 V 50/60 Hz AC	4 VA	1 h	–25...+35°C	2/3 x 2.5 mm ²	2	1.3 kg
TWS3092WAE *	220–240 V 50/60 Hz AC	4 VA	1 h	–25...+35°C	2/3 x 2.5 mm ²	2	1.45 kg

* Emergency exit light with downlight

Emergency exit lights with 1-hour supercapacitor



Product code	Nominal supply voltage	Max. input power during charging	Operation time	Operating temperature	Electrical installation	Protection class	Weight
TWS3092WM	220–240 V 50/60 Hz AC	4 VA	1 h	–25...+35°C	2/3 x 2.5 mm ²	2	1.3 kg
TWS3092WME *	220–240 V 50/60 Hz AC	4 VA	1 h	–25...+35°C	2/3 x 2.5 mm ²	2	1.45 kg

* Emergency exit light with downlight

Emergency exit lights with 3-hour battery and wireless remote monitoring



Product code	Nominal supply voltage	Max. input power during charging	Operation time	Operating temperature	Electrical installation	Protection class	Weight
TWT3053WA	220–240 V 50/60 Hz AC	3.2 VA	3 h	–5...+30°C	2/3 x 2.5 mm ²	2	1.35 kg


Emergency exit lights with 3-hour battery



Product code	Nominal supply voltage	Max. input power during charging	Operation time	Operating temperature	Electrical installation	Protection class	Weight
TWT3053WM	220–240 V 50/60 Hz AC	2.9 VA	3 h	–5...+30°C	2/3 x 2.5 mm ²	2	1.35 kg


Solid Exit

Individually packed emergency exit lights with 1-hour supercapacitor and wireless remote monitoring

Product code	Luminaire	Pictogram
Y3092WA140	TWS3092WA	Pictogram set: pictograms PB3003E, PB3002E, PB3001E 
Y3092WAE140 *	TWS3092WAE	Pictogram set: pictograms PB3003E, PB3002E, PB3001E 


* Emergency exit light with downlight

Individually packed emergency exit lights with 1-hour supercapacitor


Product code	Luminaire	Pictogram
Y3092WM140	TWS3092WM	Pictogram set: pictograms PB3003E, PB3002E, PB3001E 
Y3092WME14 *	TWS3092WME	Pictogram set: pictograms PB3003E, PB3002E, PB3001E 

* Emergency exit light with downlight

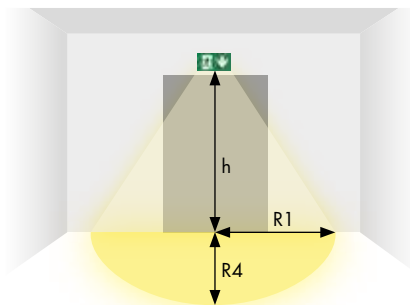
Individually packed emergency exit lights with 3-hour battery and wireless remote monitoring

Product code	Luminaire	Pictogram
Y3053WA140	TWT3053WA	Pictogram set: pictograms PB3003E, PB3002E, PB3001E 

Individually packed emergency exit lights with 3-hour battery

Product code	Luminaire	Pictogram
Y3053WM140	TWT3053WM	Pictogram set: pictograms PB3003E, PB3002E, PB3001E 

Light distribution | Downlight chart for exit lights







- 1 and 0.5 lux table below the emergency light.
 - Level of measurement 0.02 m, measurement results in emergency mode.
- R1** distance from wall, X axis
R4 distance from wall, Y axis

TWS3092WME, TWS3092WAE

Mounting height (m)	Below the light (lx)	R1 (m)	R4 (m)	R1 (m)	R4 (m)
		1 lx	1 lx	0.5 lx	0.5 lx
2	16	1	1	1.3	1.3
2.5	11	1.5	1.3	1.4	1.5
3	7	1.6	1.4	1.6	1.7
4	3	1.4	1.5	1.8	1.9
5	2	1.5	1.5	2	2

Separately ordered pictograms

Product code	Pictogram	Product description	Viewing distance
PB3003E		down arrow	30 m
PB3002E		right arrow	30 m
PB3001E		left arrow	30 m
PB3005E		up arrow	30 m

* One-sided pictogram

Accessories

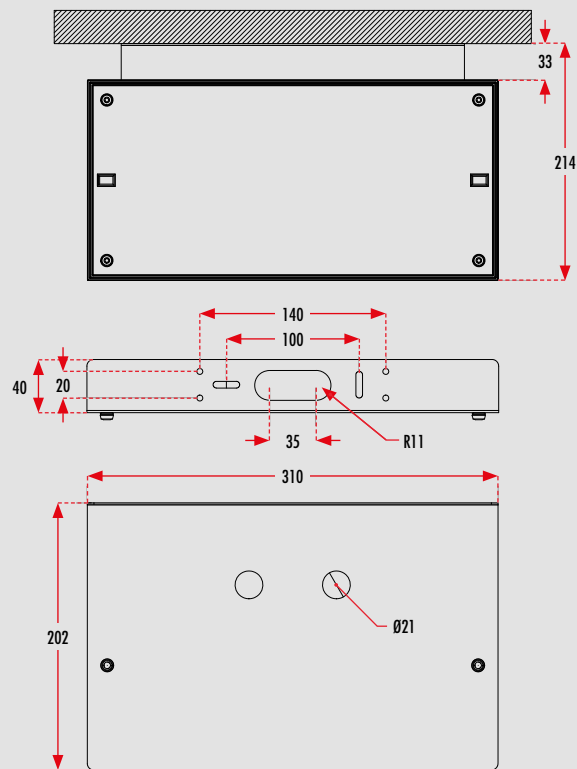
Product code	Product description
TWT3002	Wall bracket
TWT3003	Flag mounting bracket
TWT3004	Ceiling bracket

Solid Exit

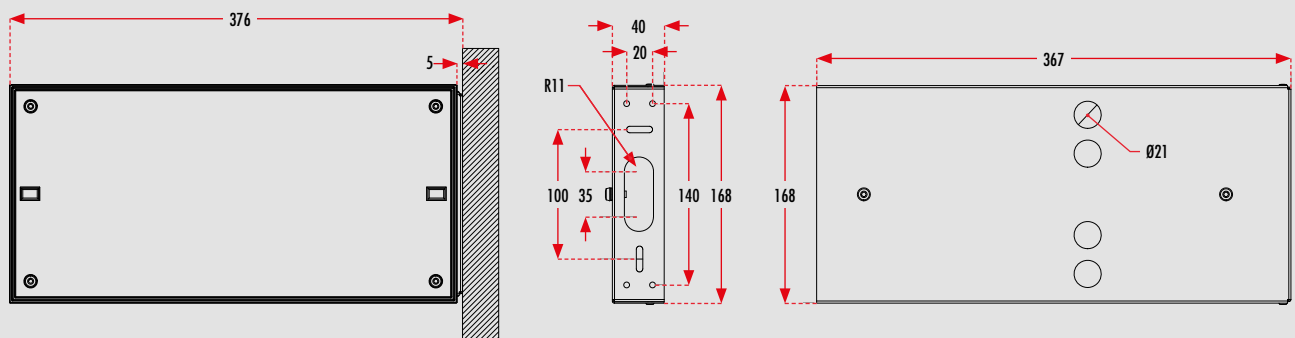
Accessories

Dimensions [mm]

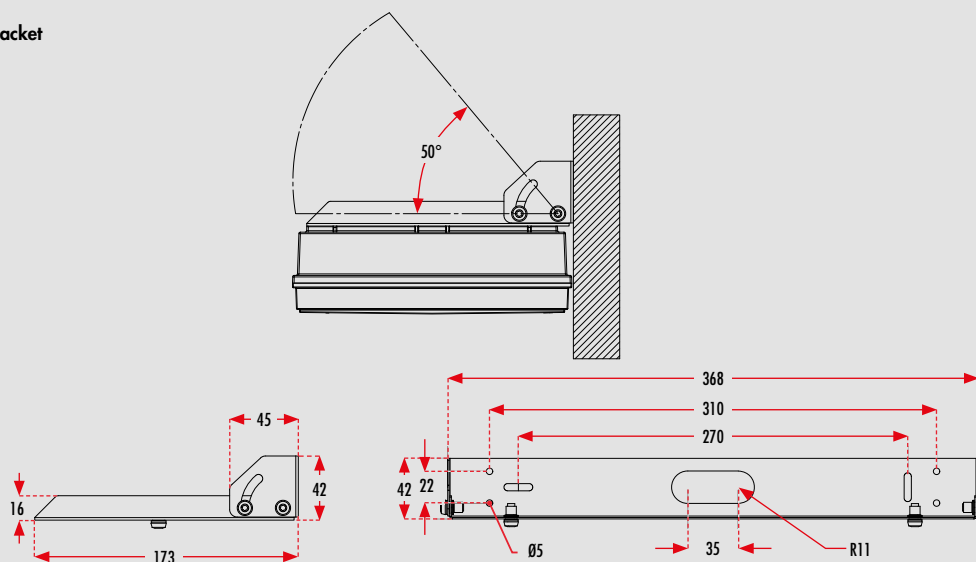
TWT3004 | Ceiling bracket



TWT3003 | Flag mounting bracket



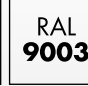


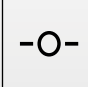

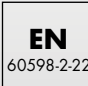



TWT3002 | Wall bracket



Solid Exit 2

Self-contained emergency exit light

 LED	 IP 65	 RAL 9003	 OTHER RAL COLOURS BY ORDER
 30m	 -O-		
 CE	 EN 60598-2-22	 LumiTest	

Emergency exit light with a pictogram for demanding conditions, ceiling mounting

The dustproof and water-resistant Solid Exit 2 has IP65 protection rating, which makes it suitable for outdoor use and, for example, industrial spaces and parking halls.

Particular attention was paid to easy mounting in the design of this two-sided luminaire. The standard colour is white (RAL 9003), other RAL colours are available upon special order.

The product is available with an Escap supercapacitor or battery and wireless AaltoCtrl remote monitoring.



For demanding conditions

Suitable for outdoor use and, for example, industrial spaces and parking halls.

Viewing distance

30 metres.

Elegant

Two-sided emergency exit light with a pictogram.

Dustproof and water-resistant

IP 65.

Easy mounting

Particular attention was paid to easy mounting in the design of this emergency exit light.



HIGHLIGHTS



DEMANDING CONDITIONS



EXTENSIVE PRODUCT RANGE



INDOOR AND OUTDOOR USE

30_m

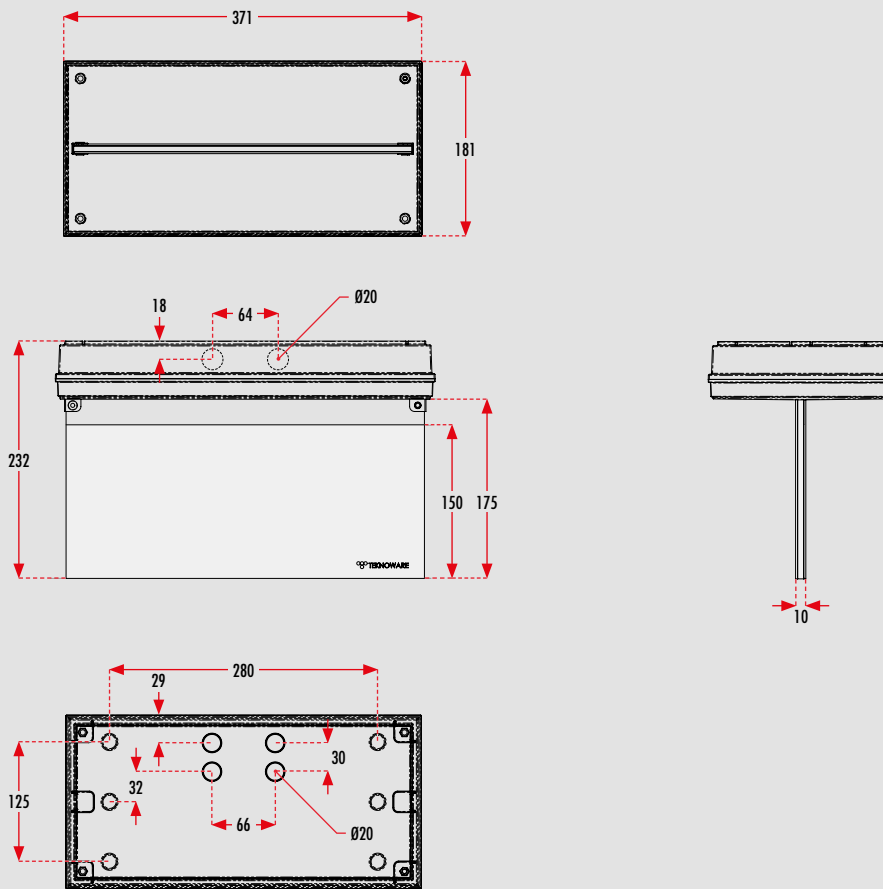
VIEWING DISTANCE



DUSTPROOF AND WATER-RESISTANT

Dimensions [mm]

Solid Exit 2 | Luminaire



Emergency exit lights with 1-hour supercapacitor and wireless remote monitoring



Product code	Nominal supply voltage	Max. input power during charging	Operation time	Operating temperature	Electrical installation	Protection class	Weight
TWS3192WA	220–240 V 50/60 Hz AC	5.7 VA	1 h	–25...+35°C	2/3 x 2.5 mm ²	2	1.8 kg

Emergency exit lights with 1-hour supercapacitor



Product code	Nominal supply voltage	Max. input power during charging	Operation time	Operating temperature	Electrical installation	Protection class	Weight
TWS3192WM	220–240 V 50/60 Hz AC	5.5 VA	1 h	–25...+35°C	2/3 x 2.5 mm ²	2	1.8 kg

Emergency exit lights with 3-hour battery and wireless remote monitoring



Product code	Nominal supply voltage	Max. input power during charging	Operation time	Operating temperature	Electrical installation	Protection class	Weight
TWT3153WA	220–240 V 50/60 Hz AC	3.6 VA	3 h	–5...+30°C	2/3 x 2.5 mm ²	2	1.8 kg






Emergency exit lights with 3-hour battery








Product code	Nominal supply voltage	Max. input power during charging	Operation time	Operating temperature	Electrical installation	Protection class	Weight
TWT3153WM	220–240 V 50/60 Hz AC	3.2 VA	3 h	–5...+30°C	2/3 x 2.5 mm ²	2	1.8 kg

Solid Exit 2








Individually packed emergency exit lights with 1-hour supercapacitor and wireless remote monitoring

Product code	Luminaire	Pictogram
Y3192WA143	TWS3192WA	two-sided pictogram 
Y3192WA148	TWS3192WA	one-sided pictogram 
Y3192WA147	TWS3192WA	one-sided pictogram 
Y3192WA145	TWS3192WA	two-sided pictogram 
Y3192WA149	TWS3192WA	one-sided pictogram 

Individually packed emergency exit lights with 1-hour supercapacitor

Product code	Luminaire	Pictogram
Y3192WM143	TWS3192WM	two-sided pictogram 
Y3192WM148	TWS3192WM	one-sided pictogram 
Y3192WM147	TWS3192WM	one-sided pictogram 
Y3192WM145	TWS3192WM	two-sided pictogram 
Y3192WM149	TWS3192WM	one-sided pictogram 

Separately ordered pictograms

Product code	Pictogram	Product description	Viewing distance
PBV31302E		down arrow, two-sided pictogram	30 m
PBV31302E3		down arrow, one-sided pictogram	30 m
PBV31301E		side arrow, two-sided pictogram	30 m
PBV31301E1		right arrow, one-sided pictogram	30 m
PBV31301E2		left arrow, one-sided pictogram	30 m
PBV31305E		up arrow, one-sided pictogram	30 m
PBV31305E3		up arrow, one-sided pictogram	30 m

Accessories

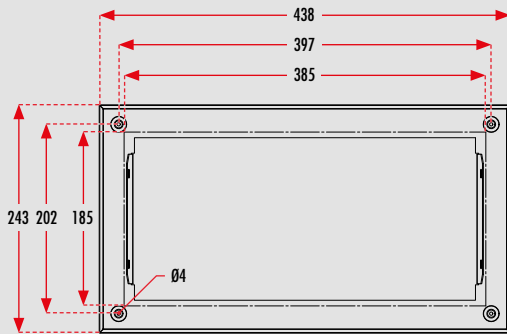
Product code	Product description
TWT3001	Recess mounting frame
TWT3002	Wall bracket
TWT3003	Flag bracket
TWT3006	Suspension bracket

Solid Exit 2

Accessories

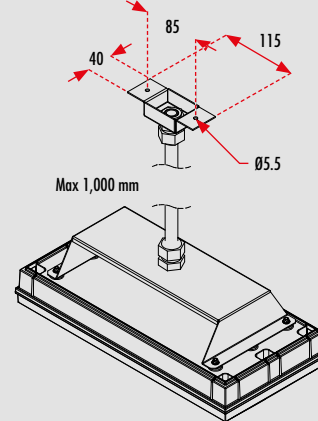
Dimensions [mm]

TWT3001 | Recess mounting frame

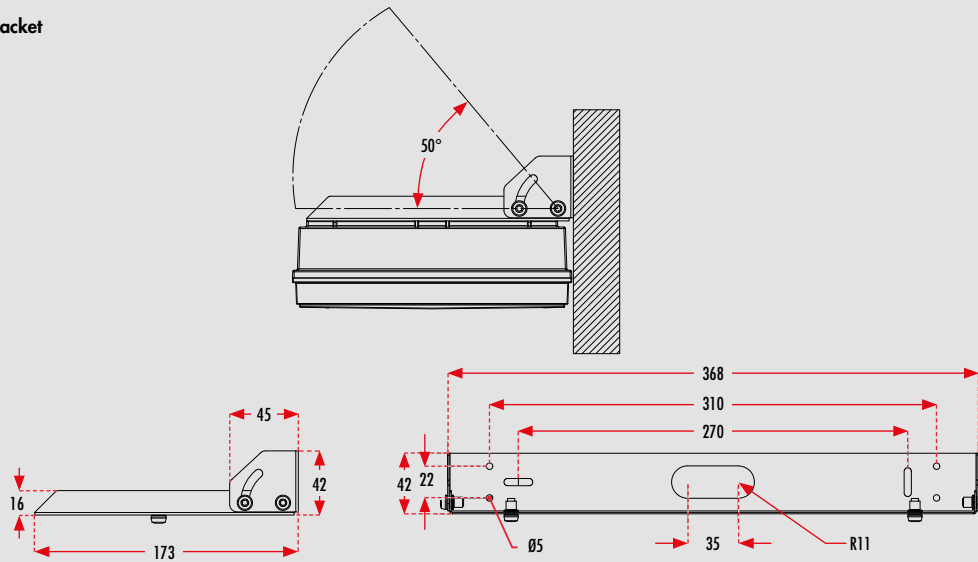


* Aperture for recess mounting 185 mm x 385 mm.

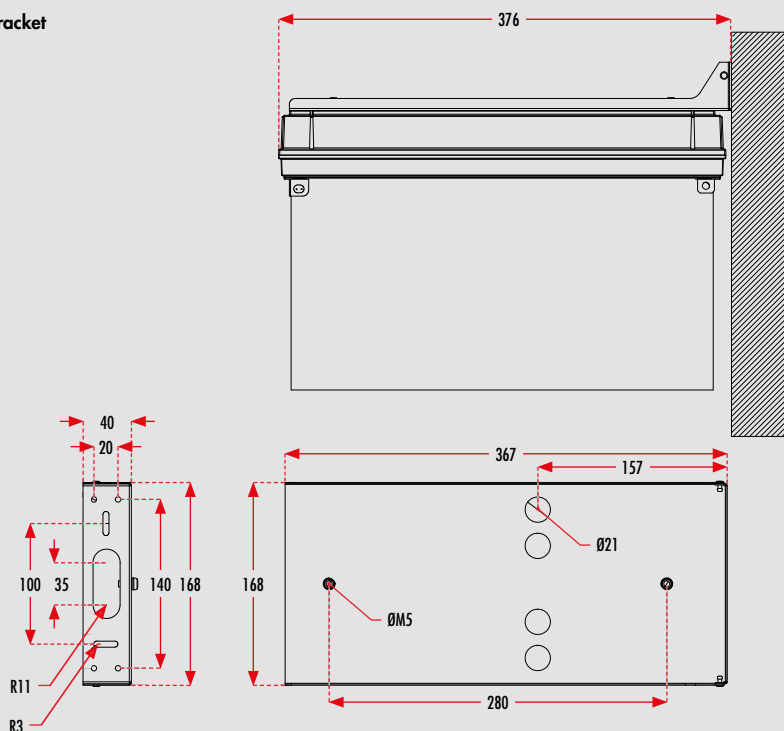
TWT3006 | Suspension bracket



TWT3002 | Wall bracket

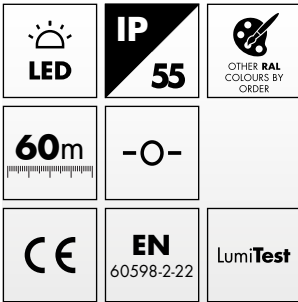


TWT3003 | Flag bracket



Plus

Self-contained emergency exit light



Emergency exit light for demanding conditions with a viewing distance of 60 m

The Teknoware Plus is a durable emergency exit light for large spaces. The exit light with a metal body is particularly well suited for demanding conditions, such as parking and industrial halls, where the exit light must be visible at distances of up to 60 metres. The product is dust- and water-resistant (IP55) and durable against hard mechanical wear.

The Plus can be used as one or two-sided, and the pictograms are easy to replace. The Plus comes with ceiling mounting pieces, and it can be wall mounted with a separate bracket. The standard colour is white (RAL 9003), other RAL colours are available upon special order.

The product is available with an Escap supercapacitor or battery and wireless AaltoCtrl remote monitoring.



Viewing distance
60 metres.

For demanding conditions
Suitable for outdoor use and, in particular, industrial and parking halls.

Dust- and water-resistant
IP 55.

Versatile
Can be used as one or two-sided.



HIGHLIGHTS



DEMANDING
CONDITIONS



METAL BODY

60m

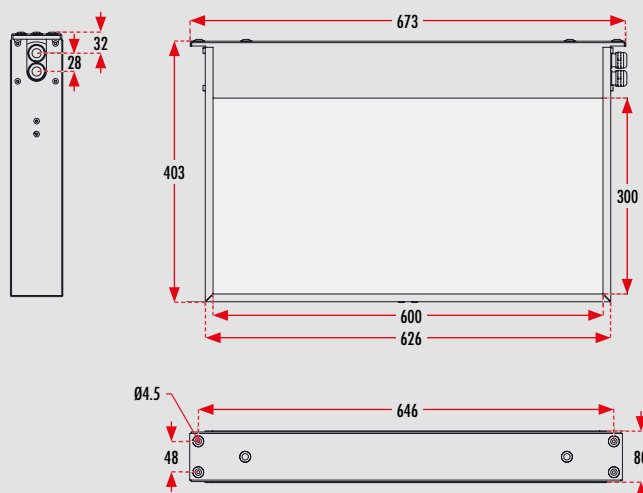
VIEWING DISTANCE



DUST- AND WATER-
RESISTANT

Dimensions [mm]

Plus | Luminaire



Emergency exit lights with 1-hour supercapacitor and wireless remote monitoring



Product code	Nominal supply voltage	Max. input power during charging	Operation time	Operating temperature	Electrical installation	Protection class	Weight
TWSF192WA	220–240 V 50/60 Hz AC	8.3 VA	1 h	–25...+35°C	3 x 2.5 mm ²	1	6.3 kg

Emergency exit lights with 1-hour supercapacitor



Product code	Nominal supply voltage	Max. input power during charging	Operation time	Operating temperature	Electrical installation	Protection class	Weight
TWSF192WM	220–240 V 50/60 Hz AC	8.3 VA	1 h	–25...+35°C	3 x 2.5 mm ²	1	6.3 kg

Emergency exit lights with 3-hour battery and wireless remote monitoring



Product code	Nominal supply voltage	Max. input power during charging	Operation time	Operating temperature	Electrical installation	Protection class	Weight
TWTF153WA	220–240 V 50/60 Hz AC	7.2 VA	3 h	–5...+30°C	3 x 2.5 mm ²	1	6.3 kg

Emergency exit lights with 3-hour battery



Product code	Nominal supply voltage	Max. input power during charging	Operation time	Operating temperature	Electrical installation	Protection class	Weight
TWTF153WM	220–240 V 50/60 Hz AC	7.2 VA	3 h	–5...+30°C	3 x 2.5 mm ²	1	6.3 kg

Separately ordered pictograms

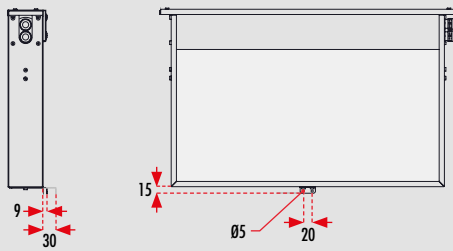
Product code	Pictogram	Product description	Viewing distance
PBVF1602E		down arrow, two-sided	60 m
PBVF1601E		side arrow, two-sided	60 m
PBVF1605E		up arrow, two-sided	60 m
PBVF1602E3		down arrow, one-sided	60 m
PBVF1601E2		side arrow, one-sided	60 m
PBVF1601E1		side arrow, one-sided	60 m
PBVF1605E3		up arrow, one-sided	60 m

Accessories

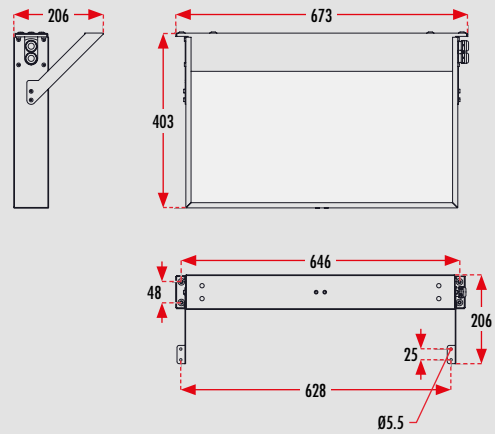
Product code	Product description
TWTF101	Wall support
TWTF102	Ceiling support
TWTF103	Wall bracket

Dimensions [mm]

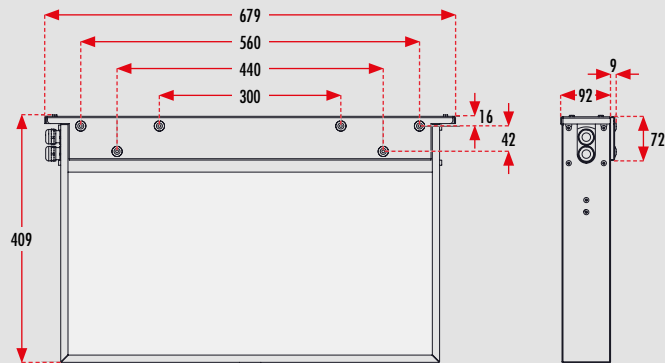
TWTF101 | Wall support



TWTF102 | Ceiling support






TWTF103 | Wall bracket





ESC Cube

Self-contained
emergency exit light

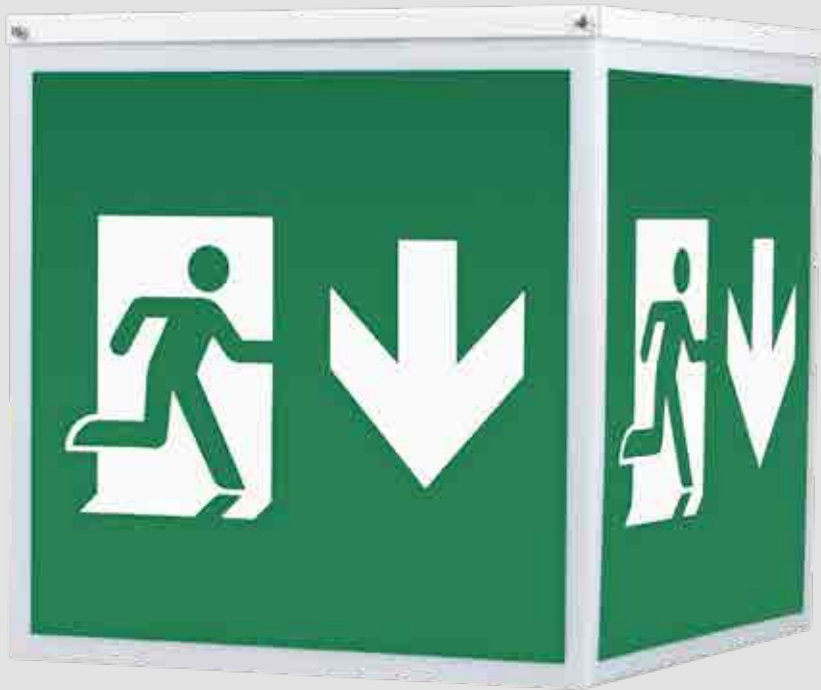
 LED	 IP 20	RAL 9003
65m 	-O-	
CE	EN 60598-2-22	LumiTest

Large and impressive, cube-shaped emergency exit light, ideal for large public spaces.

The Teknoware ESC Cube is a large and impressive, cube-shaped emergency exit light. It is ideal for large public spaces, such as shopping centres, where the escape route sign must be visible in several directions in the centre of the space. The viewing distance of the luminaire is up to 65 metres, so one luminaire can serve as the emergency exit light for the entire surrounding area.

Pictograms can be attached to the luminaire on all four sides. The frame of the ESC Cube is made of polycarbonite and metal. The luminaire is suitable for ceiling and wall mounting. Ceiling mounting is included as standard in the luminaire.

The product is available with a battery and wireless AaltoCtrl remote monitoring.



Pictograms on four sides

One luminaire can serve as the emergency exit light for the entire surrounding area.

Viewing distance

up to 65 metres.

For large public spaces

Especially for shopping centres, where the escape route sign must be visible in several directions in the middle of the space.

Ceiling mounting as standard

For ceiling and suspension mounting. Ceiling mounting included as standard.



HIGHLIGHTS



FOR OPEN SPACES



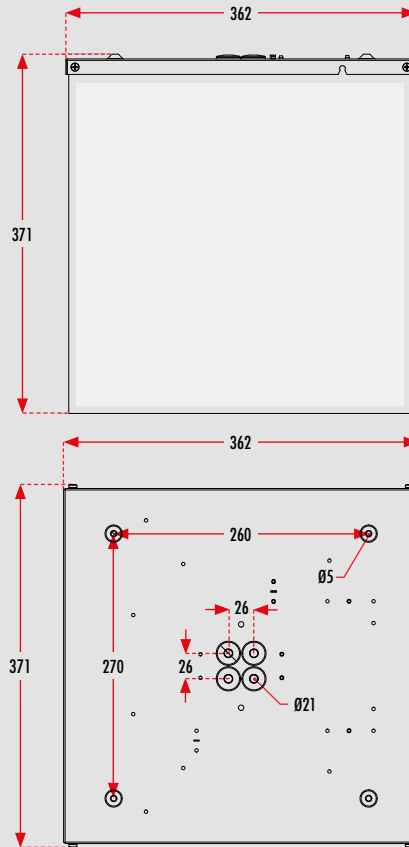
FOUR-SIDED EMERGENCY
EXIT LIGHT

65m

VIEWING DISTANCE

Dimensions [mm]

ESC Cube | Luminaire

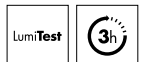


Emergency exit lights with 3-hour battery and wireless remote monitoring



Product code	Nominal supply voltage	Max. input power during charging	Operating temperature	Electrical installation	Protection class	Weight
TWK6353WA	220–240 V, 50/60 Hz AC	7.8 VA	–5...+30°C	3 x 2.5 mm ²	1	4.2 kg

Emergency exit lights with 3-hour battery



Product code	Nominal supply voltage	Max. input power during charging	Operating temperature	Electrical installation	Protection class	Weight
TWK6353WM	220–240 V, 50/60 Hz AC	7.8 VA	–5...+30°C	3 x 2.5 mm ²	1	4.2 kg

Separately ordered pictograms

Product code	Pictogram	Product description	Viewing distance
PB6301		right arrow	65 m
PB6302		left arrow	65 m
PB6303		down arrow	65 m

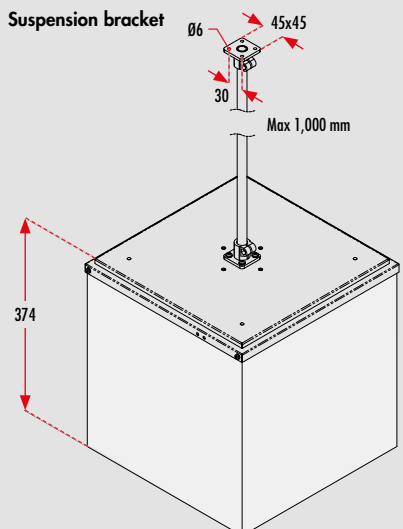
| The product is four-sided and requires four pictograms

Accessories

Product code	Product description
TWK6300	Suspension bracket (white, RAL9003), 1 m with pipe, Ø 16 mm





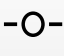

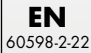

Dimensions [mm]

TWK6300 | Suspension bracket



Heavy Exit

Self-contained
emergency exit light

 LED	 IP 65	 RAL 7047
 37m	 -O-	
 CE	 EN 60598-2-22	 LumiTest

Durable emergency exit light with aluminium body for demanding conditions

The Teknoware Heavy Exit is a robust emergency exit light for demanding conditions, such as factories, power plants, machine shops, cowsheds and warehouses. The diffuser of the surface-mounted emergency light is made of heat-treated glass, and its aluminium body is mechanically sturdy, long-lasting and durable. The Heavy Exit is highly dust, water- and chemical-resistant and retains its good qualities even in demanding conditions.

The emergency exit light's IP class is 65. The colour of the product is grey (RAL 7047).

The product is available with an Escap supercapacitor and wireless AaltoCtrl remote monitoring.



For demanding conditions

Designed for factories, power plants, machine shops, cowsheds and warehouses.

Durable

Sturdy metal body and heat-treated glass diffuser.

Viewing distance

37 metres.

Dustproof and water-resistant

IP 65.



HIGHLIGHTS



DEMANDING
CONDITIONS



PROCESS
ROOM

37m

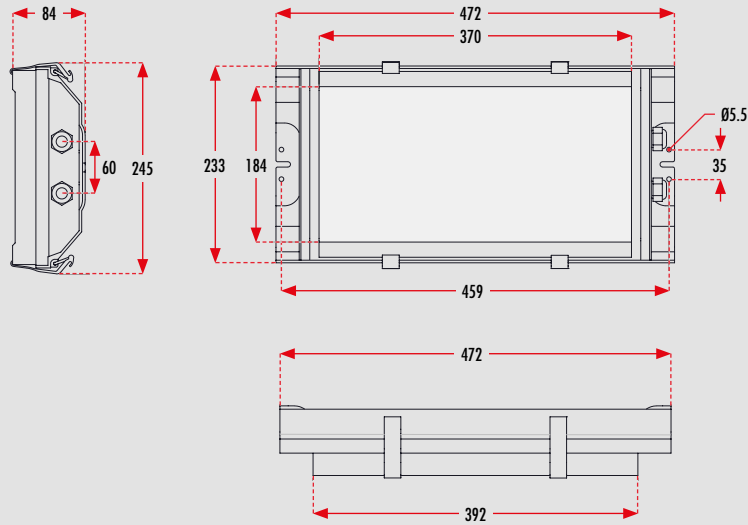
VIEWING DISTANCE



DUSTPROOF AND
WATER-RESISTANT

Dimensions [mm]

Heavy Exit | Luminaire



Emergency exit lights with 1-hour supercapacitor and wireless remote monitoring



Product code	Nominal supply voltage	Max. input power during charging	Operation time	Operating temperature	Electrical installation	Protection class	Weight
TWSA992WA	220–240 V 50/60 Hz AC	3.2 VA	1 h	–25...+35°C	3 x 2.5 mm ²	1	4 kg

Emergency exit lights with 1-hour supercapacitor



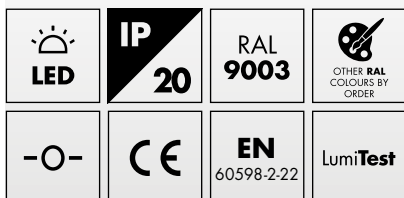
Product code	Nominal supply voltage	Max. input power during charging	Operation time	Operating temperature	Electrical installation	Protection class	Weight
TWSA992WM	220–240 V 50/60 Hz AC	3.2 VA	1 h	–25...+35°C	3 x 2.5 mm ²	1	4 kg

Separately ordered pictograms

Product code	Pictogram	Product description	Viewing distance
PBVA901		down arrow, one-sided	37 m
PBVA902		right arrow, one-sided	37 m
PBVA903		left arrow, one-sided	37 m

Slimspot II: Zone Lowbay Zone Midbay

Self-contained emergency
light for open areas



Discreet and efficient emergency light that blends seamlessly into the architecture of the space

The Teknoware Slimspot II is an efficient and discreet recess-mounted emergency light. The Slimspot II Zone Lowbay and Zone Midbay emergency lights provide a broad and even light pattern that illuminates open areas efficiently.

Thanks to its compact size, the emergency light blends seamlessly into the architecture of the space. The extensive product and optics range offers several ways to illuminate areas of different types and sizes. The Slimspot II has a durable metal body, and it is designed for indoor use.

The standard colour is white (RAL 9003). Other RAL colours are available upon special order. The Slimspot II includes a luminaire and one or two electronic units. The product is delivered with the 900-mm connection cable between the luminaire and the electronic unit.

The product is available with an Escap supercapacitor or battery and wireless AaltoCtrl remote monitoring.



For open areas

Wide and even light pattern that illuminates open areas efficiently.

Mounting height

up to 10 metres.

Elegant

Minimalist and classic design.

Square or round

Choose the model that suits your needs.

Discreet

Recessed emergency light blends seamlessly into the ceiling.



HIGHLIGHTS



**SMALL AND
DISCREET**



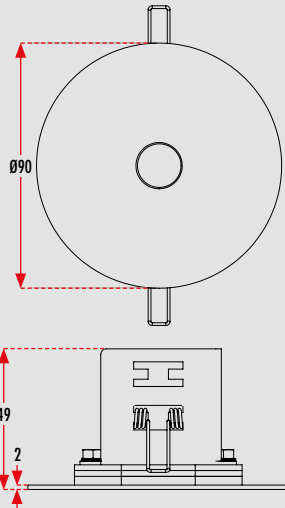
**EXTENSIVE
PRODUCT RANGE**



**WIDE RANGE OF
OPTICS**

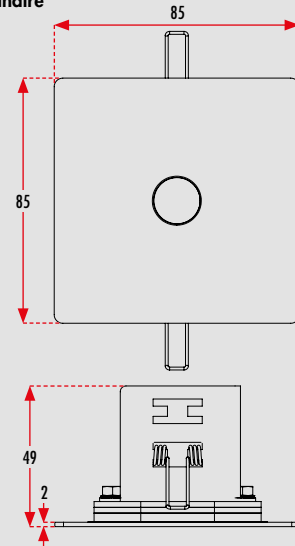
Dimensions [mm]

TWx12/63xxx | Luminaire *

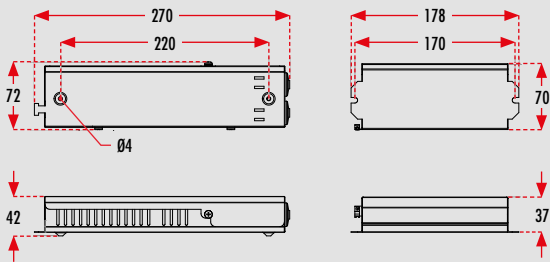


* Aperture Ø 75 mm. Mounted with springs that are part of the product.

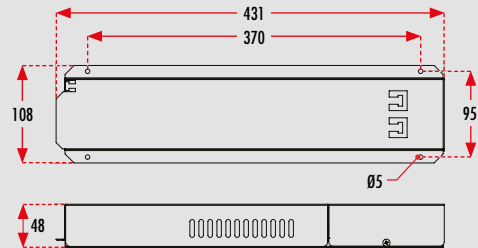
TWxA2/A5xx | Luminaire *



TWSxx92Wx | Electronics unit

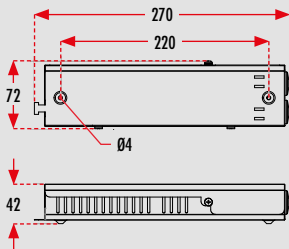


TWSxx92Wx4/Wx5 | Electronics unit **



** Does not fit through Ø 75 mm aperture.

TWTxx52Wx/53Wx | Electronics unit



Self-contained emergency lights	Shape: round		Shape: square	
	Open space		Open space	
	Lowbay	Midbay	Lowbay	Midbay
With 1-hour supercapacitor and wireless remote monitoring	TWS6392WA TWS6392WA4	TWS1292WA TWS1292WA4	TWSA292WA TWSA292WA4	TWSA592WA TWSA592WA4
With 1-hour supercapacitor and wireless remote monitoring and additional power	TWS6392WAC TWS6392WA5	TWS1292WAC TWS1292WA5	TWSA292WAC TWSA292WA5	TWSA592WAC TWSA592WA5
With 1-hour supercapacitor	TWS6392WM TWS6392WM4	TWS1292WM TWS1292WM4	TWSA292WM TWSA292WM4	TWSA592WM TWSA592WM4
With 1-hour supercapacitor and additional power	TWS6392WMC TWS6392WM5	TWS1292WMC TWS1292WM5	TWSA292WMC TWSA292WM5	TWSA592WMC TWSA592WM5
With 1-hour battery and wireless remote monitoring	TWT6352WA	TWT1252WA	TWTA252WA	TWTA552WA
With 3-hour battery and wireless remote monitoring	TWT6353WA	TWT1253WA	TWTA253WA	TWTA553WA
With 1-hour battery	TWT6352WM	TWT1252WM	TWTA252WM	TWTA552WM
With 3-hour battery	TWT6353WM	TWT1253WM	TWTA253WM	TWTA553WM

Slimspot II: Zone Lowbay

Emergency lights with 1-hour supercapacitor and wireless remote monitoring



Shape/colour	Product code	Nominal supply voltage	Max. input power during charging	Operation time	Luminous flux	Operating temperature	Electrical installation	Protection class	Weight
○	TWS6392WA	220–240 V 50/60 Hz AC	3 VA	1 h	80 lm	–25...+35°C	3 x 2.5 mm ²	1	0.8 kg
○	TWS6392WA4	220–240 V 50/60 Hz AC	3 VA	1 h	80 lm	–25...+35°C	3 x 2.5 mm ²	1	0.8 kg
○	TWS6392WAC *	220–240 V 50/60 Hz AC	3 VA	1 h	115 lm	–25...+35°C	3 x 2.5 mm ²	1	0.8 kg
○	TWS6392WA5 *	220–240 V 50/60 Hz AC	3 VA	1 h	115 lm	–25...+35°C	3 x 2.5 mm ²	1	0.8 kg
□	TWSA292WA	220–240 V 50/60 Hz AC	3 VA	1 h	80 lm	–25...+35°C	3 x 2.5 mm ²	1	0.8 kg
□	TWSA292WA4	220–240 V 50/60 Hz AC	3 VA	1 h	80 lm	–25...+35°C	3 x 2.5 mm ²	1	0.8 kg
□	TWSA292WAC *	220–240 V 50/60 Hz AC	3 VA	1 h	115 lm	–25...+35°C	3 x 2.5 mm ²	1	0.8 kg
□	TWSA292WA5 *	220–240 V 50/60 Hz AC	3 VA	1 h	115 lm	–25...+35°C	3 x 2.5 mm ²	1	0.8 kg

* Higher luminous flux

Emergency lights with 1-hour supercapacitor



Shape/colour	Product code	Nominal supply voltage	Max. input power during charging	Operation time	Luminous flux	Operating temperature	Electrical installation	Protection class	Weight
○	TWS6392WM	220–240 V 50/60 Hz AC	3 VA	1 h	80 lm	–25...+35°C	3 x 2.5 mm ²	1	0.8 kg
○	TWS6392WM4	220–240 V 50/60 Hz AC	3 VA	1 h	80 lm	–25...+35°C	3 x 2.5 mm ²	1	0.8 kg
○	TWS6392WMC *	220–240 V 50/60 Hz AC	3 VA	1 h	115 lm	–25...+35°C	3 x 2.5 mm ²	1	0.8 kg
○	TWS6392WM5 *	220–240 V 50/60 Hz AC	3 VA	1 h	115 lm	–25...+35°C	3 x 2.5 mm ²	1	0.8 kg
□	TWSA292WM	220–240 V 50/60 Hz AC	3 VA	1 h	80 lm	–25...+35°C	3 x 2.5 mm ²	1	0.8 kg
□	TWSA292WM4	220–240 V 50/60 Hz AC	3 VA	1 h	80 lm	–25...+35°C	3 x 2.5 mm ²	1	0.8 kg
□	TWSA292WMC *	220–240 V 50/60 Hz AC	3 VA	1 h	115 lm	–25...+35°C	3 x 2.5 mm ²	1	0.8 kg
□	TWSA292WM5 *	220–240 V 50/60 Hz AC	3 VA	1 h	115 lm	–25...+35°C	3 x 2.5 mm ²	1	0.8 kg

* Higher luminous flux

Emergency lights with 1-hour battery and wireless remote monitoring



Shape/colour	Product code	Nominal supply voltage	Max. input power during charging	Operation time	Luminous flux	Operating temperature	Electrical installation	Protection class	Weight
○	TWT6352WA	220–240 V 50/60 Hz AC	3 VA	1 h	280 lm	0...+35°C	3 x 2.5 mm ²	1	0.6 kg
□	TWTA252WA	220–240 V 50/60 Hz AC	3 VA	1 h	280 lm	0...+35°C	3 x 2.5 mm ²	1	0.6 kg

Emergency lights with 3-hour battery and wireless remote monitoring



Shape/colour	Product code	Nominal supply voltage	Max. input power during charging	Operation time	Luminous flux	Operating temperature	Electrical installation	Protection class	Weight
○	TWT6353WA	220–240 V 50/60 Hz AC	6 VA	3 h	280 lm	0...+35°C	3 x 2.5 mm ²	1	0.8 kg
□	TWTA253WA	220–240 V 50/60 Hz AC	6 VA	3 h	280 lm	0...+35°C	3 x 2.5 mm ²	1	0.8 kg

Slimspot II: Zone Lowbay

Emergency lights with 1-hour battery



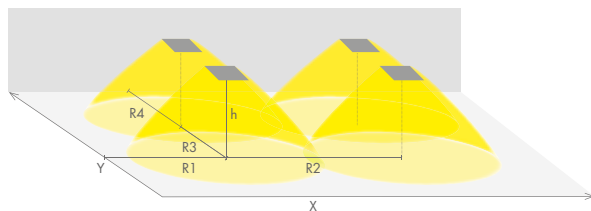
Shape/colour	Product code	Nominal supply voltage	Max. input power during charging	Operation time	Luminous flux	Operating temperature	Electrical installation	Protection class	Weight
○	TWT6352WM	220–240 V 50/60 Hz AC	3 VA	1 h	280 lm	0...+35°C	3 x 2.5 mm ²	1	0.6 kg
□	TWTA252WM	220–240 V 50/60 Hz AC	3 VA	1 h	280 lm	0...+35°C	3 x 2.5 mm ²	1	0.6 kg

Emergency lights with 3-hour battery



Shape/colour	Product code	Nominal supply voltage	Max. input power during charging	Operation time	Luminous flux	Operating temperature	Electrical installation	Protection class	Weight
○	TWT6353WM	220–240 V 50/60 Hz AC	6 VA	3 h	280 lm	0...+35°C	3 x 2.5 mm ²	1	0.8 kg
□	TWTA253WM	220–240 V 50/60 Hz AC	6 VA	3 h	280 lm	0...+35°C	3 x 2.5 mm ²	1	0.8 kg

Light distribution | Emergency lighting for open areas (ceiling mounting)



- 0.5 lux table for open areas, in accordance with EN 1838; 0.5-m border zone is taken into account in the table.
- Level of measurement 0.02 m, measurement result in emergency mode.

R1 distance from wall, X axis

R2 mounting distance, X axis

R3 mounting distance, Y axis

R4 distance from wall, Y axis

TWS6392WA, TWS6392WA4, TWS6392WM, TWS6392WM4, TWSA292WA, TWSA292WA4, TWSA292WM, TWSA292WM4

Mounting height (m)	Below the light (lx)	R1 (m)	R2 (m)	R3 (m)	R4 (m)
		0.5 lx	0.5 lx	0.5 lx	0.5 lx
2.5	1.6	3	6.5	6.5	3
3	1.4	3	6.5	6.5	3

TWS6392WAC, TWS6392WA5, TWS6392WMC, TWS6392WM5, TWSA292WAC, TWSA292WA5, TWSA292WMC, TWSA292WM5

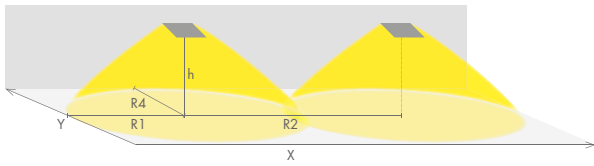
Mounting height (m)	Below the light (lx)	R1 (m)	R2 (m)	R3 (m)	R4 (m)
		0.5 lx	0.5 lx	0.5 lx	0.5 lx
2.5	2	4	8	8	4
3	1.6	4	8	8	4
4	1.4	3	8.5	8.5	3

TWT6352WA, TWT6353WA, TWT6352WM, TWT6353WM, TWTA252WA, TWTA253WA, TWTA252WM, TWTA253WM

Mounting height (m)	Below the light (lx)	R1 (m)	R2 (m)	R3 (m)	R4 (m)
		0.5 lx	0.5 lx	0.5 lx	0.5 lx
2.5	4.3	5.5	10	10	5.5
4	1.9	6	11	11	6
6	1.6	6	11	11	6

Slimspot II: Zone Lowbay

Light distribution | Emergency lighting for escape routes (ceiling mounting)



- 1 lux table for the centre line of an escape route, in accordance with EN 1838.
 - Level of measurement 0.02 m, measurement results in emergency mode.
- R1** distance from wall, X axis
R2 mounting distance, X axis
R4 distance from wall, Y axis

TWS6392WA, TWS6392WA4, TWS6392WM, TWS6392WM4, TWSA292WA, TWSA292WA4, TWSA292WM, TWSA292WM4

Mounting height (m)	Below the light (lx)	R1 (m)	R2 (m)	R4 (m)
		1 lx	1 lx	1 lx
2.5	1.5	3	7	3

TWS6392WAC, TWS6392WA5, TWS6392WMC, TWS6392WM5, TWSA292WAC, TWSA292WA5, TWSA292WMC, TWSA292WM5

Mounting height (m)	Below the light (lx)	R1 (m)	R2 (m)	R4 (m)
		1 lx	1 lx	1 lx
2.5	2	4	8	3
3	1.6	4	8	1
4	1.4	3.7	7.5	1

TWT6352WA, TWT6353WA, TWT6352WM, TWT6353WM, TWTA252WA, TWTA253WA, TWTA252WM, TWTA253WM

Mounting height (m)	Below the light (lx)	R1 (m)	R2 (m)	R4 (m)
		1 lx	1 lx	1 lx
2.5	4.3	5	11	1
4	1.7	4	14	1

Slimspot II: Zone Midbay

Emergency lights with 1-hour supercapacitor and wireless remote monitoring



Shape/colour	Product code	Nominal supply voltage	Max. input power during charging	Operation time	Luminous flux	Operating temperature	Electrical installation	Protection class	Weight
○	TWS1292WA	220–240 V 50/60 Hz AC	3 VA	1 h	70 lm	–25...+35°C	3 x 2.5 mm ²	1	0.8 kg
○	TWS1292WA4	220–240 V 50/60 Hz AC	3 VA	1 h	70 lm	–25...+35°C	3 x 2.5 mm ²	1	0.8 kg
○	TWS1292WAC *	220–240 V 50/60 Hz AC	3 VA	1 h	105 lm	–25...+35°C	3 x 2.5 mm ²	1	0.8 kg
○	TWS1292WA5 *	220–240 V 50/60 Hz AC	3 VA	1 h	105 lm	–25...+35°C	3 x 2.5 mm ²	1	0.8 kg
□	TWSA592WA	220–240 V 50/60 Hz AC	3 VA	1 h	70 lm	–25...+35°C	3 x 2.5 mm ²	1	0.8 kg
□	TWSA592WA4	220–240 V 50/60 Hz AC	3 VA	1 h	70 lm	–25...+35°C	3 x 2.5 mm ²	1	0.8 kg
□	TWSA592WAC *	220–240 V 50/60 Hz AC	3 VA	1 h	105 lm	–25...+35°C	3 x 2.5 mm ²	1	0.8 kg
□	TWSA592WA5	220–240 V 50/60 Hz AC	3 VA	1 h	105 lm	–25...+35°C	3 x 2.5 mm ²	1	0.8 kg

* Higher luminous flux

Emergency lights with 1-hour supercapacitor



Shape/colour	Product code	Nominal supply voltage	Max. input power during charging	Operation time	Luminous flux	Operating temperature	Electrical installation	Protection class	Weight
○	TWS1292WM	220–240 V 50/60 Hz AC	3 VA	1 h	70 lm	–25...+35°C	3 x 2.5 mm ²	1	0.8 kg
○	TWS1292WM4	220–240 V 50/60 Hz AC	3 VA	1 h	70 lm	–25...+35°C	3 x 2.5 mm ²	1	0.8 kg
○	TWS1292WMC *	220–240 V 50/60 Hz AC	3 VA	1 h	105 lm	–25...+35°C	3 x 2.5 mm ²	1	0.8 kg
○	TWS1292WM5 *	220–240 V 50/60 Hz AC	3 VA	1 h	105 lm	–25...+35°C	3 x 2.5 mm ²	1	0.8 kg
□	TWSA592WM	220–240 V 50/60 Hz AC	3 VA	1 h	70 lm	–25...+35°C	3 x 2.5 mm ²	1	0.8 kg
□	TWSA592WM4	220–240 V 50/60 Hz AC	3 VA	1 h	70 lm	–25...+35°C	3 x 2.5 mm ²	1	0.8 kg
□	TWSA592WMC *	220–240 V 50/60 Hz AC	3 VA	1 h	105 lm	–25...+35°C	3 x 2.5 mm ²	1	0.8 kg
□	TWSA592WM5	220–240 V 50/60 Hz AC	3 VA	1 h	105 lm	–25...+35°C	3 x 2.5 mm ²	1	0.8 kg

* Higher luminous flux

Emergency lights with 1-hour battery and wireless remote monitoring



Shape/colour	Product code	Nominal supply voltage	Max. input power during charging	Operation time	Luminous flux	Operating temperature	Electrical installation	Protection class	Weight
○	TWT1252WA	220–240 V 50/60 Hz AC	3 VA	1 h	250 lm	0...+35°C	3 x 2.5 mm ²	1	0.6 kg
□	TWTA552WA	220–240 V 50/60 Hz AC	3 VA	1 h	250 lm	0...+35°C	3 x 2.5 mm ²	1	0.6 kg

Emergency lights with 3-hour battery and wireless remote monitoring



Shape/colour	Product code	Nominal supply voltage	Max. input power during charging	Operation time	Luminous flux	Operating temperature	Electrical installation	Protection class	Weight
○	TWT1253WA	220–240 V 50/60 Hz AC	6 VA	3 h	250 lm	0...+35°C	3 x 2.5 mm ²	1	0.8 kg
□	TWTA553WA	220–240 V 50/60 Hz AC	6 VA	3 h	250 lm	0...+35°C	3 x 2.5 mm ²	1	0.8 kg

Slimspot II: Zone Midbay

Emergency lights with 1-hour battery



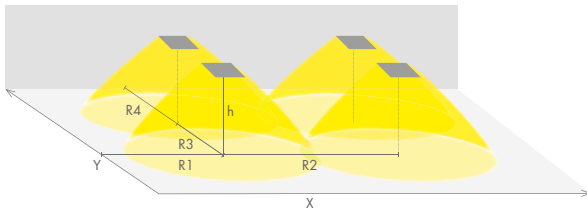
Shape/colour	Product code	Nominal supply voltage	Max. input power during charging	Operation time	Luminous flux	Operating temperature	Electrical installation	Protection class	Weight
○	TWT1252WM	220-240 V 50/60 Hz AC	3 VA	1 h	250 lm	0...+35°C	3 x 2.5 mm ²	1	0.6 kg
□	TWTA552WM	220-240 V 50/60 Hz AC	3 VA	1 h	250 lm	0...+35°C	3 x 2.5 mm ²	1	0.6 kg

Emergency lights with 3-hour battery



Shape/colour	Product code	Nominal supply voltage	Max. input power during charging	Operation time	Luminous flux	Operating temperature	Electrical installation	Protection class	Weight
○	TWT1253WM	220-240 V 50/60 Hz AC	6 VA	3 h	250 lm	0...+35°C	3 x 2.5 mm ²	1	0.8 kg
□	TWTA553WM	220-240 V 50/60 Hz AC	6 VA	3 h	250 lm	0...+35°C	3 x 2.5 mm ²	1	0.8 kg

Light distribution | Emergency lighting for open areas (ceiling mounting)



- 0.5 lux table for open areas, in accordance with EN 1838; 0.5-m border zone is taken into account in the table.
- Level of measurement 0.02 m, measurement result in emergency mode.

R1 distance from wall, X axis

R2 mounting distance, X axis

R3 mounting distance, Y axis

R4 distance from wall, Y axis

TWS1292WA, TWS1292WA4, TWS1292WM, TWS1292WM4, TWSA592WA, TWSA592WA4, TWSA592WM, TWSA592WM4

Mounting height (m)	Below the light (lx)	R1 (m)	R2 (m)	R3 (m)	R4 (m)
		0.5 lx	0.5 lx	0.5 lx	0.5 lx
2.5	8.5	2	4	4	2
3	6	2	4.5	4.5	2
4	3.5	2	5	5	2
6	1.5	3	6	6	3

TWS1292WAC, TWS1292WA5, TWS1292WMC, TWS1292WM5, TWSA592WAC, TWSA592WA5, TWSA592WMC, TWSA592WM5

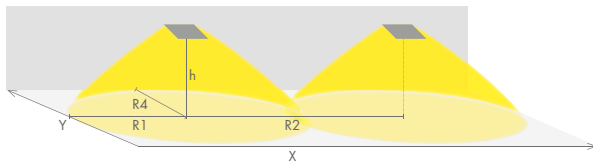
Mounting height (m)	Below the light (lx)	R1 (m)	R2 (m)	R3 (m)	R4 (m)
		0.5 lx	0.5 lx	0.5 lx	0.5 lx
2.5	11	2.5	5	5	2.5
3	7.5	2.5	5	5	2.5
4	4	3	6	6	3
6	2	3.5	8	8	3.5
8	1	3.5	8	8	3.5

TWT1252WA, TWT1253WA, TWT1252WM, TWT1253WM, TWTA552WA, TWTA553WA, TWTA552WM, TWTA553WM

Mounting height (m)	Below the light (lx)	R1 (m)	R2 (m)	R3 (m)	R4 (m)
		0.5 lx	0.5 lx	0.5 lx	0.5 lx
2.5	25	3	5.5	5.5	3
4	9	3.5	6.5	6.5	3.5
6	4	4.5	8	8	4.5
8	2.5	5	9.5	9.5	5
10	1.5	5	10	10	5

Slimspot II: Zone Midbay

Light distribution | Emergency lighting for escape routes (ceiling mounting)



- 1 lux table for the centre line of an escape route, in accordance with EN 1838.
 - Level of measurement 0.02 m, measurement results in emergency mode.
- R1** distance from wall, X axis
R2 mounting distance, X axis
R4 distance from wall, Y axis

TWS1292WA, TWS1292WA4, TWS1292WM, TWS1292WM4, TWSA592WA, TWSA592WA4, TWSA592WM, TWSA592WM4

Mounting height (m)	Below the light (lx)	R1 (m)	R2 (m)	R4 (m)
		1 lx	1 lx	1 lx
2.5	8.5	2	5	1
3	6	2	5.5	1
4	3.5	3	6	1
6	1.5	3	7	1

TWS1292WAC, TWS1292WA5, TWS1292WMC, TWS1292WM5, TWSA592WAC, TWSA592WA5, TWSA592WMC, TWSA592WM5







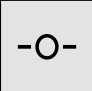
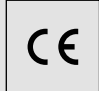
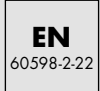

Mounting height (m)	Below the light (lx)	R1 (m)	R2 (m)	R4 (m)
		1 lx	1 lx	1 lx
2.5	11	2	5.5	1
3	7.5	2	5.5	1
4	4	3	6	1
6	2	3	8.5	1

TWT1252WA, TWT1253WA, TWT1252WM, TWT1253WM, TWTA552WA, TWTA553WA, TWTA552WM, TWTA553WM

Mounting height (m)	Below the light (lx)	R1 (m)	R2 (m)	R4 (m)
		1 lx	1 lx	1 lx
2.5	25	2.5	6	1
4	9	3	8	1
6	4	4	9	1
8	2.5	4.5	11	1
10	1.5	3.5	11	1

Zonespot II: Lowbay Midbay Highbay

Self-contained emergency light for open areas

 LED	 IP 20	 IP 44
 RAL 9003	 RAL 9005	 OTHER RAL COLOURS BY ORDER
 -O-	 CE	 EN 60598-2-22
 LumiTest		



Emergency light for open areas, suitable for surface or recess mounting

The Teknoware Zonespot II Lowbay, Midbay and Highbay emergency lights provide a broad and even light pattern that illuminates open areas efficiently. Their efficient optics enable mounting heights of up to 16 metres. The Zonespot II is available in two models: square for surface mounting and round for recess mounting.

The square surface-mounted model has IP44 rating, making it splash-resistant.

Thanks to its compact size, the round recess-mounted model blends seamlessly into the architecture of the space. The visible parts of the recess-mounted model are also splash-resistant when equipped with an IP44-rated additional gasket. The aperture for recess mounting is 75 mm. The standard colour is white (RAL 9003). The surface-mounted model is also available in black (RAL 9005). Other RAL colours are available upon special order.

The product is available with an Escap supercapacitor or battery and wireless AaltoCtrl remote monitoring.

For open areas

Wide and even light pattern that illuminates open areas efficiently.

The mounting method determines the shape

The square model is always surface-mounted and the round model is recess-mounted.

Long mounting distances

Up to 14 metres spacing between luminaires.

Mounting height

up to 16 metres.

Splash-resistant

The IP rating of the surfacemounted emergency light is IP44. The visible parts of the recess-mounted model are also IP44 rated when equipped with an additional gasket (TMT389).



HIGHLIGHTS



MOUNTING DISTANCE



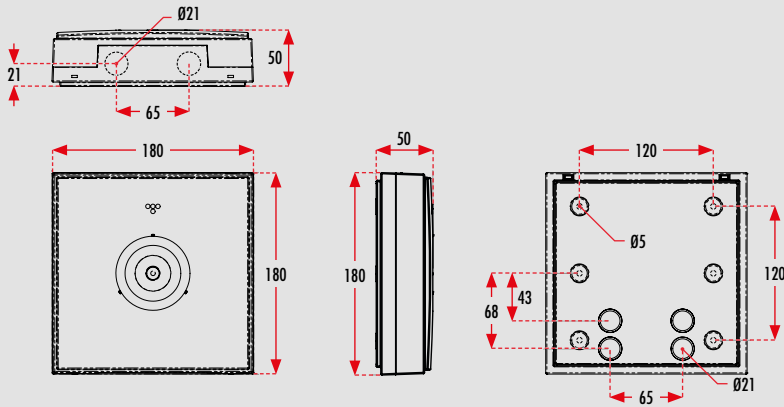
MOUNTING HEIGHT



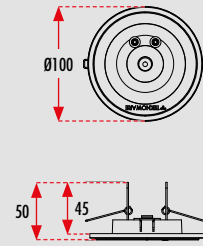
SPLASH-RESISTANT *

Dimensions [mm]

Zonespot II | Surface-mounted emergency light

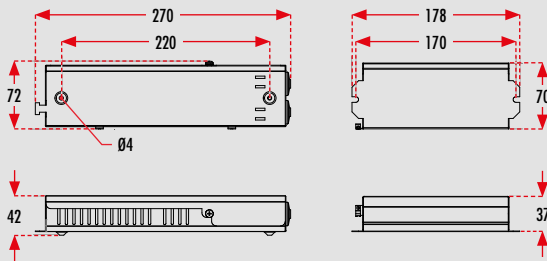


Zonespot II | Recess-mounted emergency light*

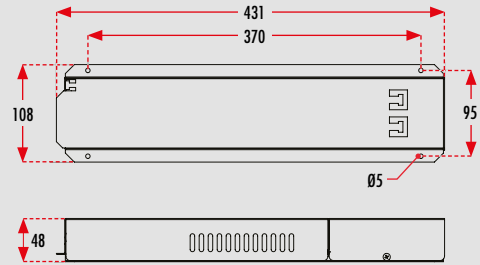


* Aperture \varnothing 75 mm. Mounted with springs that are part of the product.

TWS0492Wx | Electronics unit

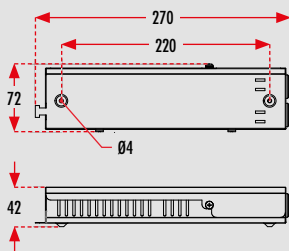


TWS0492Wx4/Wx5 | Electronics unit**



** Does not fit through \varnothing 75 mm aperture.

TWTxx52Wx/53Wx | Electronics unit



Product information on page 268

Zonespot II: Lowbay

Emergency lights with 1-hour supercapacitor and wireless remote monitoring



Shape/colour	Mounting	Product code	Nominal supply voltage	Max. input power during charging	Operation time	Luminous flux	Operating temperature	Electrical installation	Protection class	Weight
○	Recess	TWS0492WA	220–240 V 50/60 Hz AC	3 VA	1 h	80 lm	–25...+35°C	3 x 2.5 mm ²	1	0.8 kg
○	Recess	TWS0492WA4	220–240 V 50/60 Hz AC	3 VA	1 h	80 lm	–25...+35°C	3 x 2.5 mm ²	1	0.8 kg
○	Recess	TWS0492WAC *	220–240 V 50/60 Hz AC	3 VA	1 h	115 lm	–25...+35°C	3 x 2.5 mm ²	1	0.8 kg
○	Recess	TWS0492WA5 *	220–240 V 50/60 Hz AC	3 VA	1 h	115 lm	–25...+35°C	3 x 2.5 mm ²	1	0.8 kg
□	Surface	TWS9292WA	220–240 V 50/60 Hz AC	3 VA	1 h	80 lm	–25...+35°C	2/3 x 2.5 mm ²	2	0.9 kg
■	Surface	TWS9292WAT	220–240 V 50/60 Hz AC	3 VA	1 h	80 lm	–25...+35°C	2/3 x 2.5 mm ²	2	0.9 kg
□	Surface	TWS9292WAC *	220–240 V 50/60 Hz AC	3 VA	1 h	115 lm	–25...+35°C	2/3 x 2.5 mm ²	2	0.9 kg

* Higher luminous flux

Emergency lights with 1-hour supercapacitor



Shape/colour	Mounting	Product code	Nominal supply voltage	Max. input power during charging	Operation time	Luminous flux	Operating temperature	Electrical installation	Protection class	Weight
○	Recess	TWS0492WM	220–240 V 50/60 Hz AC	3 VA	1 h	80 lm	–25...+35°C	3 x 2.5 mm ²	1	0.8 kg
○	Recess	TWS0492WM4	220–240 V 50/60 Hz AC	3 VA	1 h	80 lm	–25...+35°C	3 x 2.5 mm ²	1	0.8 kg
○	Recess	TWS0492WMC *	220–240 V 50/60 Hz AC	3 VA	1 h	115 lm	–25...+35°C	3 x 2.5 mm ²	1	0.8 kg
○	Recess	TWS0492WM5 *	220–240 V 50/60 Hz AC	3 VA	1 h	115 lm	–25...+35°C	3 x 2.5 mm ²	1	0.8 kg
□	Surface	TWS9292WM	220–240 V 50/60 Hz AC	3 VA	1 h	80 lm	–25...+35°C	2/3 x 2.5 mm ²	2	0.9 kg
■	Surface	TWS9292WMT	220–240 V 50/60 Hz AC	3 VA	1 h	80 lm	–25...+35°C	2/3 x 2.5 mm ²	2	0.9 kg
□	Surface	TWS9292WMC *	220–240 V 50/60 Hz AC	3 VA	1 h	115 lm	–25...+35°C	2/3 x 2.5 mm ²	2	0.9 kg

* Higher luminous flux

Individually packed emergency lights with 1-hour supercapacitor and wireless remote monitoring

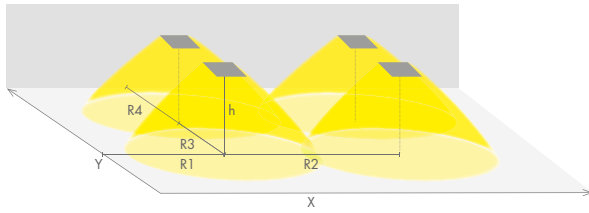
Shape/colour	Mounting	Product code	Luminaire
○	Recess	Y0492WA	TWS0492WA
○	Recess	Y0492WAC	TWS0492WAC
□	Surface	Y9292WA	TWS9292WA
□	Surface	Y9292WAC	TWS9292WAC

Individually packed emergency lights with 1-hour supercapacitor

Shape/colour	Mounting	Product code	Luminaire
○	Recess	Y0492WM	TWS0492WM
○	Recess	Y0492WMC	TWS0492WMC
□	Surface	Y9292WM	TWS9292WM
□	Surface	Y9292WMC	TWS9292WMC

Zonespot II: Lowbay

Light distribution | Emergency lighting for open areas (ceiling mounting)



- 0.5 lux table for open areas, in accordance with EN 1838; 0.5-m border zone is taken into account in the table.
- Level of measurement 0.02 m, measurement result in emergency mode.

R1 distance from wall, X axis

R2 mounting distance, X axis

R3 mounting distance, Y axis

R4 distance from wall, Y axis

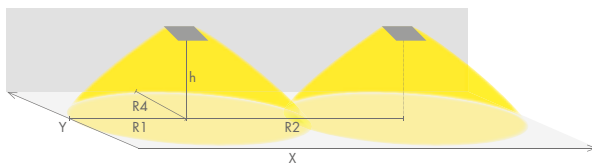
TWS9292WM(T), TWS9292WA(T), TWS0492WA, TWS0492WM, TWS0492WA4, TWS0492WM4

Mounting height (m)	Below the light (lx)	R1 (m)	R2 (m)	R3 (m)	R4 (m)
		0.5 lx	0.5 lx	0.5 lx	0.5 lx
2.5	1.6	3	6.5	6.5	3
3	1.4	3	6.5	6.5	3

TWS9292WMC, TWS9292WAC, TWS0492WAC, TWS0492WMC, TWS0492WA5, TWS0492WM5

Mounting height (m)	Below the light (lx)	R1 (m)	R2 (m)	R3 (m)	R4 (m)
		0.5 lx	0.5 lx	0.5 lx	0.5 lx
2.5	2	4	8	8	4
3	1.6	4	8	8	4
4	1.4	3	8.5	8.5	3

Light distribution | Emergency lighting for escape routes (ceiling mounting)



- 1 lux table for the centre line of an escape route, in accordance with EN 1838.
- Level of measurement 0.02 m, measurement results in emergency mode.

R1 distance from wall, X axis

R2 mounting distance, X axis

R4 distance from wall, Y axis

TWS9292WM(T), TWS9292WA(T), TWS0492WA, TWS0492WM, TWS0492WA4, TWS0492WM4

Mounting height (m)	Below the light (lx)	R1 (m)	R2 (m)	R4 (m)
		1 lx	1 lx	1 lx
2.5	1.5	3	7	1

TWS9292WMC, TWS9292WAC, TWS0492WAC, TWS0492WMC, TWS0492WA5, TWS0492WM5

Mounting height (m)	Below the light (lx)	R1 (m)	R2 (m)	R4 (m)
		1 lx	1 lx	1 lx
2.5	2	4	8	1
3	1.6	4	8	1
4	1.4	3.7	7.5	1

| NOTE! To illuminate an escape route, we recommend the Linespot Lowbay; see page 316.

Zonespot II: Lowbay

Emergency lights with 1-hour battery and wireless remote monitoring



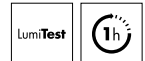
Shape/colour	Mounting	Product code	Nominal supply voltage	Max. input power during charging	Operation time	Luminous flux	Operating temperature	Electrical installation	Protection class	Weight
○	Recess	TWT0452WA	220–240 V 50/60 Hz AC	3 VA	1 h	280 lm	0...+35°C	3 x 2.5 mm ²	1	0.6 kg
□	Surface	TWT9252WA	220–240 V 50/60 Hz AC	3 VA	1 h	255 lm	0...+35°C	2/3 x 2.5 mm ²	2	0.7 kg
■	Surface	TWT9252WAT	220–240 V 50/60 Hz AC	3 VA	1 h	255 lm	0...+35°C	2/3 x 2.5 mm ²	2	0.7 kg

Emergency lights with 3-hour battery and wireless remote monitoring



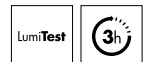
Shape/colour	Mounting	Product code	Nominal supply voltage	Max. input power during charging	Operation time	Luminous flux	Operating temperature	Electrical installation	Protection class	Weight
○	Recess	TWT0453WA	220–240 V 50/60 Hz AC	6 VA	3 h	280 lm	0...+35°C	3 x 2.5 mm ²	1	0.8 kg
□	Surface	TWT9253WA	220–240 V 50/60 Hz AC	6 VA	3 h	255 lm	0...+35°C	2/3 x 2.5 mm ²	2	0.9 kg
■	Surface	TWT9253WAT	220–240 V 50/60 Hz AC	6 VA	3 h	255 lm	0...+35°C	2/3 x 2.5 mm ²	2	0.9 kg

Emergency lights with 1-hour battery



Shape/colour	Mounting	Product code	Nominal supply voltage	Max. input power during charging	Operation time	Luminous flux	Operating temperature	Electrical installation	Protection class	Weight
○	Recess	TWT0452WM	220–240 V 50/60 Hz AC	3 VA	1 h	280 lm	0...+35°C	3 x 2.5 mm ²	1	0.6 kg
□	Surface	TWT9252WM	220–240 V 50/60 Hz AC	3 VA	1 h	255 lm	0...+35°C	2/3 x 2.5 mm ²	2	0.7 kg
■	Surface	TWT9252WMT	220–240 V 50/60 Hz AC	3 VA	1 h	255 lm	0...+35°C	2/3 x 2.5 mm ²	2	0.7 kg

Emergency lights with 3-hour battery



Shape/colour	Mounting	Product code	Nominal supply voltage	Max. input power during charging	Operation time	Luminous flux	Operating temperature	Electrical installation	Protection class	Weight
○	Recess	TWT0453WM	220–240 V 50/60 Hz AC	6 VA	3 h	280 lm	0...+35°C	3 x 2.5 mm ²	1	0.8 kg
□	Surface	TWT9253WM	220–240 V 50/60 Hz AC	6 VA	3 h	255 lm	0...+35°C	2/3 x 2.5 mm ²	2	0.9 kg
■	Surface	TWT9253WMT	220–240 V 50/60 Hz AC	6 VA	3 h	255 lm	0...+35°C	2/3 x 2.5 mm ²	2	0.9 kg

Individually packed emergency lights with 1-hour battery and wireless remote monitoring

Shape/colour	Mounting	Product code	Luminaire
○	Recess	Y0452WA	TWT0452WA
□	Surface	Y9252WA	TWT9252WA

Individually packed emergency lights with 3-hour battery and wireless remote monitoring

Shape/colour	Mounting	Product code	Luminaire
○	Recess	Y0453WA	TWT0453WA
□	Surface	Y9253WA	TWT9253WA

Zonespot II: Lowbay

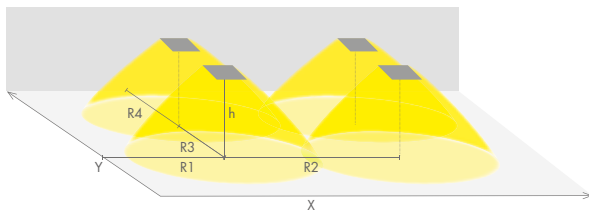
Individually packed emergency lights with 1-hour battery

Shape/colour	Mounting	Product code	Luminaire
○	Recess	Y0452WM	TWT0452WM
□	Surface	Y9252WM	TWT9252WM

Individually packed emergency lights with 3-hour battery

Shape/colour	Mounting	Product code	Luminaire
○	Recess	Y0453WM	TWT0453WM
□	Surface	Y9253WM	TWT9253WM

Light distribution | Emergency lighting for open areas (ceiling mounting)



- 0.5 lux table for open areas, in accordance with EN 1838; 0.5-m border zone is taken into account in the table.
- Level of measurement 0.02 m, measurement result in emergency mode.

R1 distance from wall, X axis

R2 mounting distance, X axis

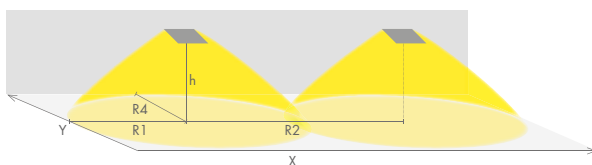
R3 mounting distance, Y axis

R4 distance from wall, Y axis

TWT9252WA(T), TWT9253WA(T), TWT9252WM(T), TWT9253WM(T), TWT0453WM, TWT0452WM, TWT0453WA, TWT0452WA

Mounting height (m)	Below the light (lx)	R1 (m)	R2 (m)	R3 (m)	R4 (m)
		0.5 lx	0.5 lx	0.5 lx	0.5 lx
2.5	4.3	5.5	10	10	5.5
4	1.9	6	11	11	6
6	1.6	6	11	11	6

Light distribution | Emergency lighting for escape routes (ceiling mounting)



- 1 lux table for the centre line of an escape route, in accordance with EN 1838.
- Level of measurement 0.02 m, measurement results in emergency mode.

R1 distance from wall, X axis

R2 mounting distance, X axis

R4 distance from wall, Y axis

TWT9252WA(T), TWT9253WA(T), TWT9252WM(T), TWT9253WM(T), TWT0453WM, TWT0452WM, TWT0453WA, TWT0452WA

Mounting height (m)	Below the light (lx)	R1 (m)	R2 (m)	R4 (m)
		1 lx	1 lx	1 lx
2.5	4.3	5	11	1
4	1.7	4	14	1

| **NOTE!** To illuminate an escape route, we recommend the Linespot II Lowbay (TWT99); see page 316.

Zonespot II: Midbay

Emergency lights with 1-hour supercapacitor and wireless remote monitoring



Shape/colour	Mounting	Product code	Nominal supply voltage	Max. input power during charging	Operation time	Luminous flux	Operating temperature	Electrical installation	Protection class	Weight
<input type="checkbox"/>	Surface	TWS9392WA	220–240 V 50/60 Hz AC	3 VA	1 h	75 lm	–25...+35°C	2/3 x 2.5 mm ²	2	0.9 kg
<input checked="" type="checkbox"/>	Surface	TWS9392WAT	220–240 V 50/60 Hz AC	3 VA	1 h	75 lm	–25...+35°C	2/3 x 2.5 mm ²	2	0.9 kg
<input type="checkbox"/>	Surface	TWS9392WAC *	220–240 V 50/60 Hz AC	3 VA	1 h	105 lm	–25...+35°C	2/3 x 2.5 mm ²	2	0.9 kg

* Higher luminous flux

Emergency lights with 1-hour supercapacitor



Shape/colour	Mounting	Product code	Nominal supply voltage	Max. input power during charging	Operation time	Luminous flux	Operating temperature	Electrical installation	Protection class	Weight
<input type="checkbox"/>	Surface	TWS9392WM	220–240 V 50/60 Hz AC	3 VA	1 h	75 lm	–25...+35°C	2/3 x 2.5 mm ²	2	0.9 kg
<input checked="" type="checkbox"/>	Surface	TWS9392WMT	220–240 V 50/60 Hz AC	3 VA	1 h	75 lm	–25...+35°C	2/3 x 2.5 mm ²	2	0.9 kg
<input type="checkbox"/>	Surface	TWS9392WMC *	220–240 V 50/60 Hz AC	3 VA	1 h	105 lm	–25...+35°C	2/3 x 2.5 mm ²	2	0.9 kg

* Higher luminous flux

Individually packed emergency lights with 1-hour supercapacitor and wireless remote monitoring

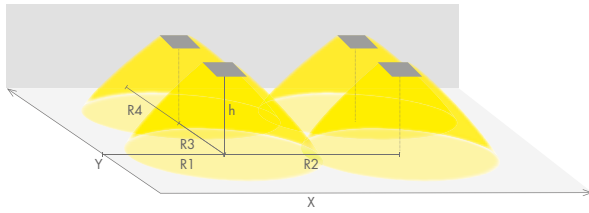
Shape/colour	Mounting	Product code	Luminaire
<input type="checkbox"/>	Surface	Y9392WA	TWS9392WA
<input type="checkbox"/>	Surface	Y9392WAC	TWS9392WAC

Individually packed emergency lights with 1-hour supercapacitor

Shape/colour	Mounting	Product code	Luminaire
<input type="checkbox"/>	Surface	Y9392WM	TWS9392WM
<input type="checkbox"/>	Surface	Y9392WMC	TWS9392WMC

Zonespot II: Midbay

Light distribution | Emergency lighting for open areas (ceiling mounting)



- 0.5 lux table for open areas, in accordance with EN 1838; 0.5-m border zone is taken into account in the table.
 - Level of measurement 0.02 m, measurement result in emergency mode.
- R1** distance from wall, X axis
R2 mounting distance, X axis
R3 mounting distance, Y axis
R4 distance from wall, Y axis

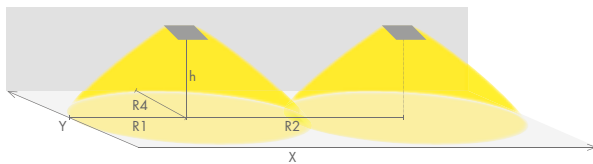
TWS9392WM(T), TWS9392WA(T)

Mounting height (m)	Below the light (lx)	R1 (m)	R2 (m)	R3 (m)	R4 (m)
		0.5 lx	0.5 lx	0.5 lx	0.5 lx
2.5	8.5	2	4	4	2
3	6	2	4.5	4.5	2
4	3.5	2	5	5	2
6	1.5	3	6	6	3

TWS9392WMC, TWS9392WAC

Mounting height (m)	Below the light (lx)	R1 (m)	R2 (m)	R3 (m)	R4 (m)
		0.5 lx	0.5 lx	0.5 lx	0.5 lx
2.5	11	2.5	5	5	2.5
3	7.5	2.5	5	5	2.5
4	4	3	6	6	3
6	2	3.5	8	8	3.5
8	1	3.5	8	8	3.5

Light distribution | Emergency lighting for escape routes (ceiling mounting)



- 1 lux table for the centre line of an escape route, in accordance with EN 1838.
- Level of measurement 0.02 m, measurement results in emergency mode.

- R1** distance from wall, X axis
R2 mounting distance, X axis
R4 distance from wall, Y axis

TWS9392WM(T), TWS9392WA(T)

Mounting height (m)	Below the light (lx)	R1 (m)	R2 (m)	R4 (m)
		1 lx	1 lx	1 lx
2.5	8.5	2	5	1
3	6	2	5.5	1
4	3.5	3	6	1
6	1.5	3	7	1

TWS9392WMC, TWS9392WAC

Mounting height (m)	Below the light (lx)	R1 (m)	R2 (m)	R4 (m)
		1 lx	1 lx	1 lx
2.5	11	2	5.5	1
3	7.5	2	5.5	1
4	4	3	6	1
6	2	3	8.5	1

| NOTE! To illuminate an escape route, we recommend the Linespot Midbay; see page 318.

Zonespot II: Midbay

Emergency lights with 1-hour battery and wireless remote monitoring



Shape/colour	Mounting	Product code	Nominal supply voltage	Max. input power during charging	Operation time	Luminous flux	Operating temperature	Electrical installation	Protection class	Weight
□	Surface	TWT9352WA	220–240 V 50/60 Hz AC	3 VA	1 h	230 lm	0...+35°C	2/3 x 2.5 mm ²	2	0.7 kg
■	Surface	TWT9352WAT	220–240 V 50/60 Hz AC	3 VA	1 h	230 lm	0...+35°C	2/3 x 2.5 mm ²	2	0.7 kg

Emergency lights with 3-hour battery and wireless remote monitoring



Shape/colour	Mounting	Product code	Nominal supply voltage	Max. input power during charging	Operation time	Luminous flux	Operating temperature	Electrical installation	Protection class	Weight
□	Surface	TWT9353WA	220–240 V 50/60 Hz AC	6 VA	3 h	230 lm	0...+35°C	2/3 x 2.5 mm ²	2	0.9 kg
■	Surface	TWT9353WAT	220–240 V 50/60 Hz AC	6 VA	3 h	230 lm	0...+35°C	2/3 x 2.5 mm ²	2	0.9 kg

Emergency lights with 1-hour battery



Shape/colour	Mounting	Product code	Nominal supply voltage	Max. input power during charging	Operation time	Luminous flux	Operating temperature	Electrical installation	Protection class	Weight
□	Surface	TWT9352WM	220–240 V 50/60 Hz AC	3 VA	1 h	230 lm	0...+35°C	2/3 x 2.5 mm ²	2	0.7 kg
■	Surface	TWT9352WMT	220–240 V 50/60 Hz AC	3 VA	1 h	230 lm	0...+35°C	2/3 x 2.5 mm ²	2	0.7 kg

Emergency lights with 3-hour battery



Shape/colour	Mounting	Product code	Nominal supply voltage	Max. input power during charging	Operation time	Luminous flux	Operating temperature	Electrical installation	Protection class	Weight
□	Surface	TWT9353WM	220–240 V 50/60 Hz AC	6 VA	3 h	230 lm	0...+35°C	2/3 x 2.5 mm ²	2	0.9 kg
■	Surface	TWT9353WMT	220–240 V 50/60 Hz AC	6 VA	3 h	230 lm	0...+35°C	2/3 x 2.5 mm ²	2	0.9 kg

Individually packed emergency lights with 1-hour battery and wireless remote monitoring

Shape/colour	Mounting	Product code	Luminaire
□	Surface	Y9352WA	TWT9352WA

Individually packed emergency lights with 3-hour battery and wireless remote monitoring

Shape/colour	Mounting	Product code	Luminaire
□	Surface	Y9353WA	TWT9353WA

Individually packed emergency lights with 1-hour battery

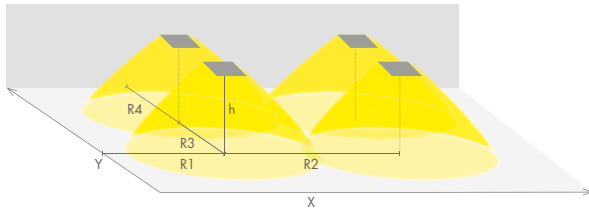
Shape/colour	Mounting	Product code	Luminaire
□	Surface	Y9352WM	TWT9352WM

Individually packed emergency lights with 3-hour battery

Shape/colour	Mounting	Product code	Luminaire
□	Surface	Y9353WM	TWT9353WM

Zonespot II: Midbay

Light distribution | Emergency lighting for open areas (ceiling mounting)

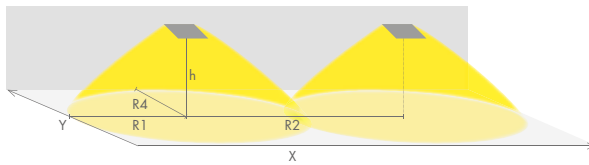


- 0.5 lux table for open areas, in accordance with EN 1838; 0.5-m border zone is taken into account in the table.
 - Level of measurement 0.02 m, measurement result in emergency mode.
- R1** distance from wall, X axis
R2 mounting distance, X axis
R3 mounting distance, Y axis
R4 distance from wall, Y axis

TWT9352WA(T), TWT9353WA(T), TWT9352WM(T), TWT9353WM(T)

Mounting height (m)	Below the light (lx)	R1 (m)	R2 (m)	R3 (m)	R4 (m)
		0.5 lx	0.5 lx	0.5 lx	0.5 lx
2.5	25	3	5.5	5.5	3
4	9	3.5	6.5	6.5	3.5
6	4	4.5	8	8	4.5
8	2.5	5	9.5	9.5	5
10	1.5	5	10	10	5

Light distribution | Emergency lighting for escape routes (ceiling mounting)



- 1 lux table for the centre line of an escape route, in accordance with EN 1838.
 - Level of measurement 0.02 m, measurement results in emergency mode.
- R1** distance from wall, X axis
R2 mounting distance, X axis
R4 distance from wall, Y axis

TWT9352WA(T), TWT9353WA(T), TWT9352WM(T), TWT9353WM(T)

Mounting height (m)	Below the light (lx)	R1 (m)	R2 (m)	R4 (m)
		1 lx	1 lx	1 lx
2.5	25	2.5	6	1
4	9	3	8	1
6	4	4	9	1
8	2.5	4.5	11	1
10	1.5	3.5	11	1

| NOTE! To illuminate an escape route, we recommend the Linespot Midbay; see page 318.

Zonespot II: Highbay

Emergency lights with 1-hour supercapacitor and wireless remote monitoring



Shape/colour	Mounting	Product code	Nominal supply voltage	Max. input power during charging	Operation time	Luminous flux	Operating temperature	Electrical installation	Protection class	Weight
□	Surface	TWS8492WAC	220–240 V 50/60 Hz AC	3 VA	1 h	110 lm	–25...+35 °C	2/3 x 2.5 mm ²	2	0.9 kg
■	Surface	TWS8492WACT	220–240 V 50/60 Hz AC	3 VA	1 h	110 lm	–25...+35 °C	2/3 x 2.5 mm ²	2	0.9 kg

Emergency lights with 1-hour supercapacitor



Shape/colour	Mounting	Product code	Nominal supply voltage	Max. input power during charging	Operation time	Luminous flux	Operating temperature	Electrical installation	Protection class	Weight
□	Surface	TWS8492WMC	220–240 V 50/60 Hz AC	3 VA	1 h	110 lm	–25...+35 °C	2/3 x 2.5 mm ²	2	0.9 kg
■	Surface	TWS8492WMCCT	220–240 V 50/60 Hz AC	3 VA	1 h	110 lm	–25...+35 °C	2/3 x 2.5 mm ²	2	0.9 kg

Emergency lights with 1-hour battery and wireless remote monitoring



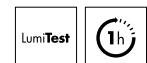
Shape/colour	Mounting	Product code	Nominal supply voltage	Max. input power during charging	Operation time	Luminous flux	Operating temperature	Electrical installation	Protection class	Weight
□	Surface	TWT8452WA	220–240 V 50/60 Hz AC	3 VA	1 h	225 lm	0...+35 °C	2/3 x 2.5 mm ²	2	0.7 kg
■	Surface	TWT8452WAT	220–240 V 50/60 Hz AC	3 VA	1 h	225 lm	0...+35 °C	2/3 x 2.5 mm ²	2	0.7 kg

Emergency lights with 3-hour battery and wireless remote monitoring



Shape/colour	Mounting	Product code	Nominal supply voltage	Max. input power during charging	Operation time	Luminous flux	Operating temperature	Electrical installation	Protection class	Weight
□	Surface	TWT8453WA	220–240 V 50/60 Hz AC	6 VA	3 h	225 lm	0...+35 °C	2/3 x 2.5 mm ²	2	0.85 kg
■	Surface	TWT8453WAT	220–240 V 50/60 Hz AC	6 VA	3 h	225 lm	0...+35 °C	2/3 x 2.5 mm ²	2	0.85 kg

Emergency lights with 1-hour battery



Shape/colour	Mounting	Product code	Nominal supply voltage	Max. input power during charging	Operation time	Luminous flux	Operating temperature	Electrical installation	Protection class	Weight
□	Surface	TWT8452WM	220–240 V 50/60 Hz AC	3 VA	1 h	225 lm	0...+35 °C	2/3 x 2.5 mm ²	2	0.7 kg
■	Surface	TWT8452WMT	220–240 V 50/60 Hz AC	3 VA	1 h	225 lm	0...+35 °C	2/3 x 2.5 mm ²	2	0.7 kg

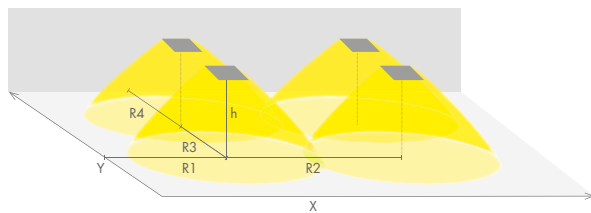
Emergency lights with 3-hour battery



Shape/colour	Mounting	Product code	Nominal supply voltage	Max. input power during charging	Operation time	Luminous flux	Operating temperature	Electrical installation	Protection class	Weight
□	Surface	TWT8453WM	220–240 V 50/60 Hz AC	6 VA	3 h	225 lm	0...+35 °C	2/3 x 2.5 mm ²	2	0.85 kg
■	Surface	TWT8453WMT	220–240 V 50/60 Hz AC	6 VA	3 h	225 lm	0...+35 °C	2/3 x 2.5 mm ²	2	0.85 kg

Zonespot II: Highbay

Light distribution | Emergency lighting for open areas (ceiling mounting)



- 0.5 lux table for open areas, in accordance with EN 1838; 0.5-m border zone is taken into account in the table.
- Level of measurement 0.02 m, measurement result in emergency mode.

R1 distance from wall, X axis

R2 mounting distance, X axis

R3 mounting distance, Y axis

R4 distance from wall, Y axis

TWS8492WMC(T), TWS8492WAC(T)

Mounting height (m)	Below the light (lx)	R1 (m)	R2 (m)	R3 (m)	R4 (m)
		0.5 lx	0.5 lx	0.5 lx	0.5 lx
2.5	27	2.5	5	5	2.5
3	18	2.5	5.5	5.5	2.5
4	10	2.5	5.5	5.5	2.5
6	4.5	3	6	6	3
8	2.5	3	6.5	6.5	3
10	1.5	3	7	7	3
12	1.25	3	7	7	3

TWT8452WM(T), TWT8452WA(T), TWT8453WM(T), TWT8453WA(T)

Mounting height (m)	Below the light (lx)	R1 (m)	R2 (m)	R3 (m)	R4 (m)
		0.5 lx	0.5 lx	0.5 lx	0.5 lx
4	27	3	7	7	3
6	12	3	7	7	3
8	7	3	7	7	3
10	4.5	3	7.5	7.5	3
12	3	3.5	8	8	3.5
14	2	3.5	8	8	3.5
16	1.5	3.5	8	8	3.5

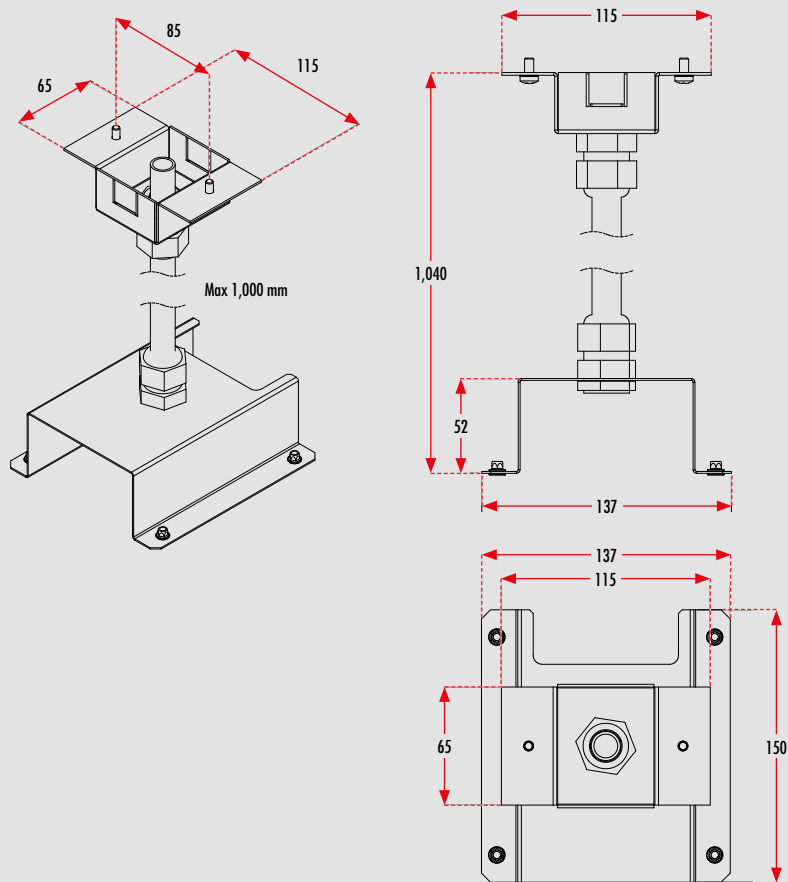
Zonespot II

Accessories

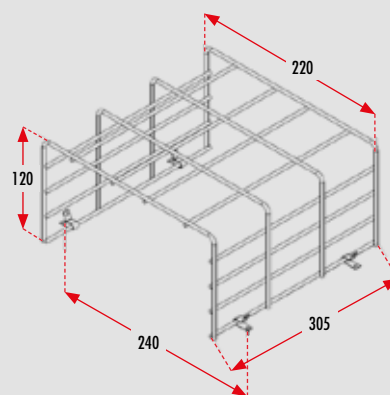
Product code	Product description
TW77504F	Suspension bracket (surface-mounted model)
TW77504FM	Suspension bracket, black (surface-mounted model)
TW77508B	Shock protecting cover (surface-mounted model)
TMT389	Gasket ring (recess-mounted model)
TWT9202	Wall bracket (surface-mounted model)
TWT9202M	Wall bracket, black (surface-mounted model)

Dimensions [mm]

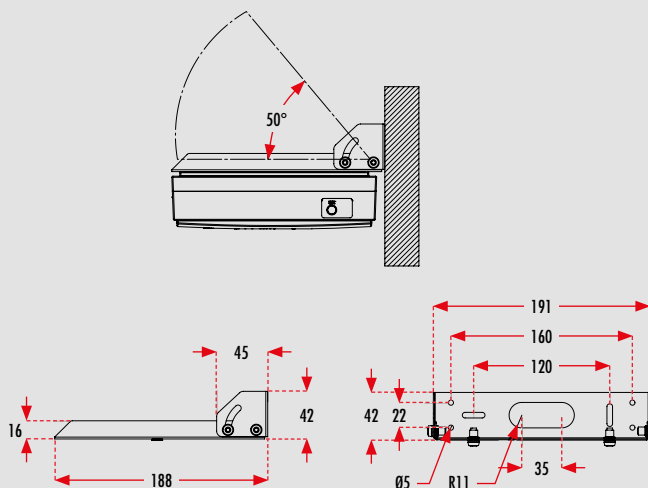
TW77504F(M) | Suspension bracket



TW77508B | Shock protecting cover



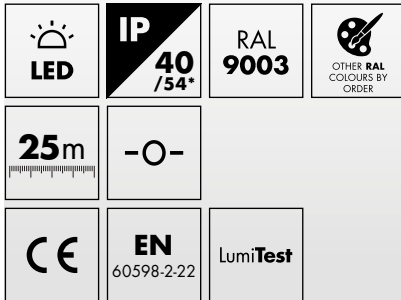
TWT9202(M) | Wall bracket





Easy: Combo

Self-contained emergency light for open areas or emergency exit light

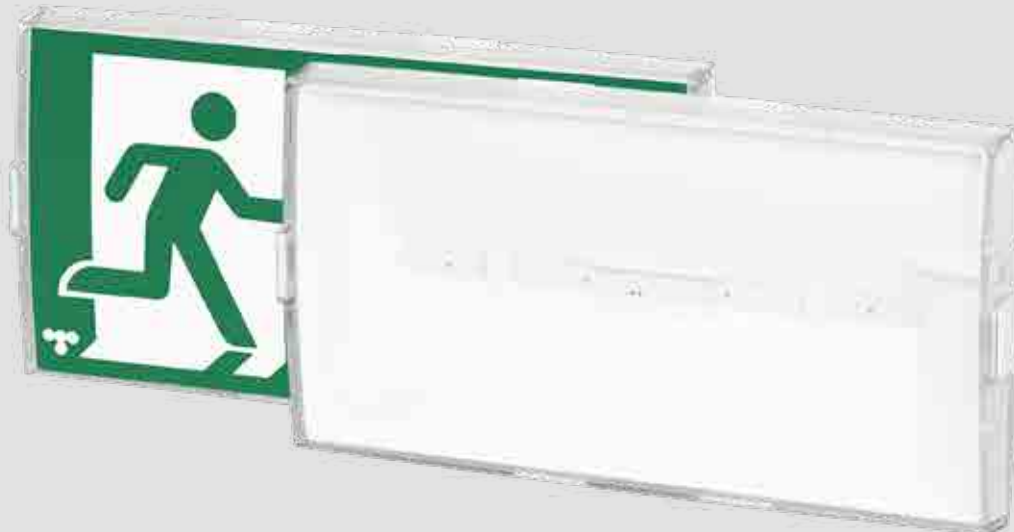


A combination luminaire that can be used either as an emergency light or as an emergency exit light.

When fitted with the rotatable pictogram, the Easy Combo can show the direction arrow pointing up, down, left or right. When using the Combo as an emergency exit light, the ceiling mounting requires a separate ceiling bracket (TWTB104). Without the pictogram, the Combo works as an emergency light.

Thanks to its practical design, the Combo can be easily surface or recess mounted – ceiling, suspension and flag mounting is available with a separate bracket. The standard colour is white (RAL 9003), other RAL colours are available upon special order. The Easy product family is an ideal choice when you want a single fixture for your entire property's emergency lighting needs.

The Easy Combo is available with a battery and wireless AaltoCtrl remote monitoring.



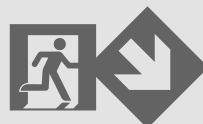
- **Dust- and water-resistant ***
The frame is made from strong plastic, and the luminaire is IP40 rated (* IP54 with a separate gasket).
- **Easy to install**
Surface or semi-recessed mounting as standard. Ceiling, recess, suspension and flag mounting with a separate bracket / frame.
- **Combination luminaire**
Can be used either as an emergency light or as an emergency exit light.
- **Cost-effective**
Emergency lighting for the entire property with one fixture.
- **Versatile pictograms**
The rotatable sign enables choosing the direction of the emergency exit light. When the Easy Combo is used as an emergency light, the pictogram is not required.



HIGHLIGHTS



MULTI-PURPOSE



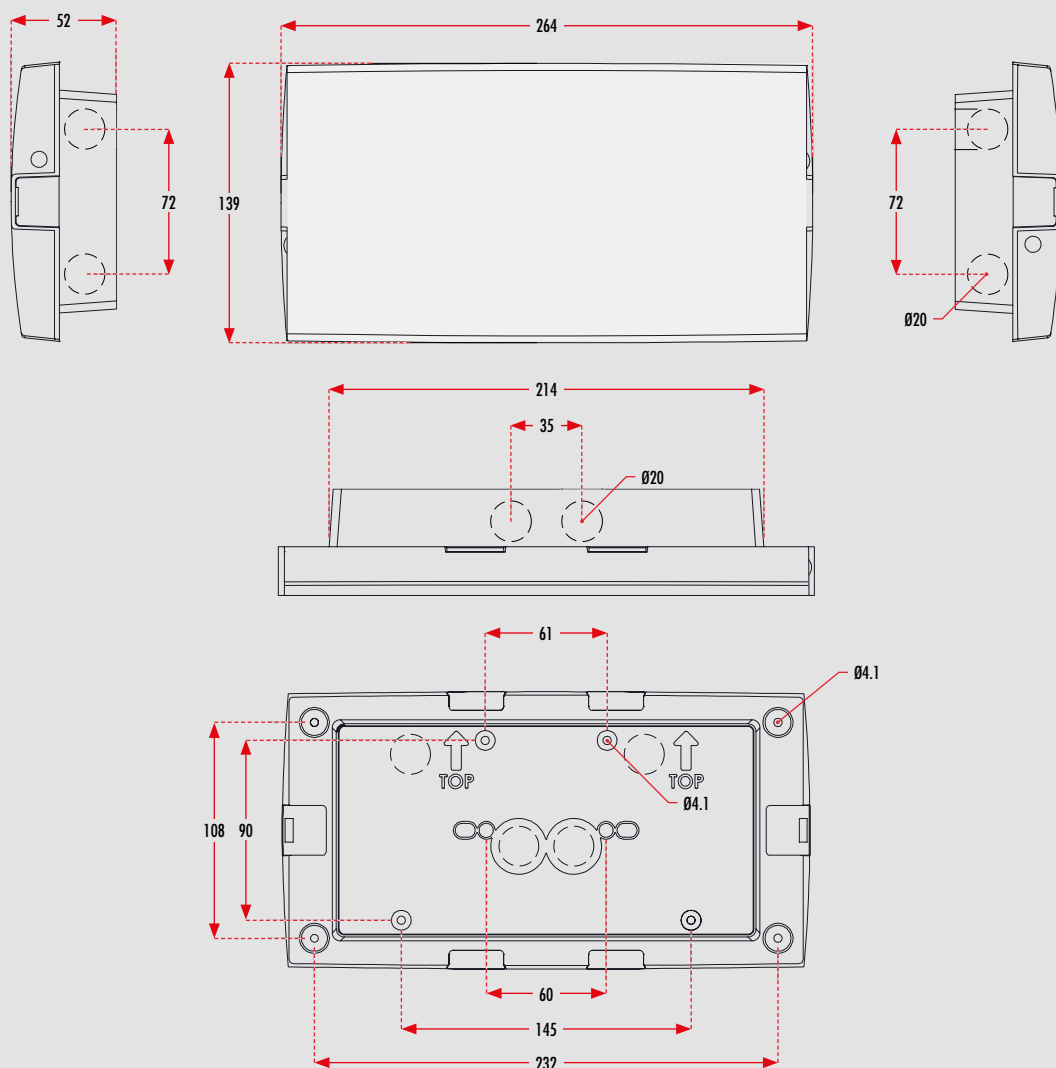
ADJUSTABLE PICTOGRAMS

25m

VIEWING DISTANCE

Dimensions [mm]

Easy Combo | Luminaire



Combination lights with 1-hour battery and wireless remote monitoring



Product code	Nominal supply voltage	Max. input power during charging	Operation time	Luminous flux	Operating temperature	Electrical installation	Protection class	Weight
TWTB152WA	220–240 V 50/60 Hz AC	8 VA	1 h	170 lm	–5...+35°C	2/3 x 2.5 mm ²	2	0.55 kg

Combination lights with 3-hour battery and wireless remote monitoring



Product code	Nominal supply voltage	Max. input power during charging	Operation time	Luminous flux	Operating temperature	Electrical installation	Protection class	Weight
TWTB153WA	220–240 V 50/60 Hz AC	8 VA	3 h	170 lm	–5...+35°C	2/3 x 2.5 mm ²	2	0.55 kg

Combination lights with 1-hour battery



Product code	Nominal supply voltage	Max. input power during charging	Operation time	Luminous flux	Operating temperature	Electrical installation	Protection class	Weight
TWTB152WM	220–240 V 50/60 Hz AC	8 VA	1 h	170 lm	–5...+35°C	2/3 x 2.5 mm ²	2	0.55 kg


Combination lights with 3-hour battery




Product code	Nominal supply voltage	Max. input power during charging	Operation time	Luminous flux	Operating temperature	Electrical installation	Protection class	Weight
TWTB153WA	220–240 V 50/60 Hz AC	8 VA	3 h	170 lm	–5...+35°C	2/3 x 2.5 mm ²	2	0.55 kg

Easy: Combo


Individually packed combination lights with 1-hour battery and wireless monitoring

Product code	Luminaire	Pictogram
YB152WA120	TWTB152WA	Set of pictograms: product code PBB100 


Individually packed combination lights with 3-hour battery and wireless monitoring

Product code	Luminaire	Pictogram
YB153WA120	TWTB153WA	Set of pictograms: product code PBB100 

Individually packed combination lights with 1-hour battery

Product code	Luminaire	Pictogram
YB152WM120	TWTB152WM	Set of pictograms: product code PBB100 

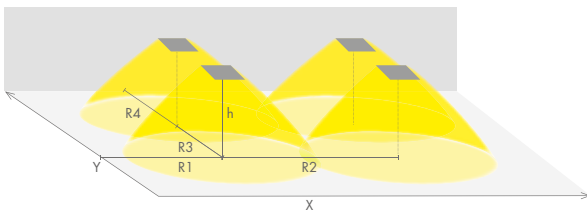
Individually packed combination lights with 3-hour battery

Product code	Luminaire	Pictogram
YB153WM120	TWTB153WM	Set of pictograms: product code PBB100 

Separately ordered pictograms

Product code	Pictogram	Product description	Viewing distance
PBB100		Rotatable pictogram	25 m

Light distribution | Emergency lighting for open areas (ceiling mounting)

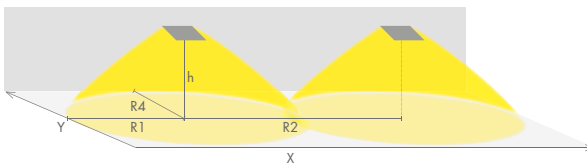


- 0.5 lux table for open areas, in accordance with EN 1838; 0.5-m border zone is taken into account in the table.
 - Level of measurement 0.02 m, measurement result in emergency mode.
- R1** distance from wall, X axis **R3** mounting distance, Y axis
R2 mounting distance, X axis **R4** distance from wall, Y axis

TWTB152WA, TWTB153WA, TWTB152WM, TWTB153WA

Mounting height (m)	Below the light (lx)	R1 (m)	R2 (m)	R3 (m)	R4 (m)
		0.5 lx	0.5 lx	0.5 lx	0.5 lx
2.5	7	3.5	7	7	3.5
3	5	3.5	7	7	3.5
4	2.5	3.5	7.5	7.5	3.5
6	1.2	4	8	8	4

Light distribution | Emergency lighting for escape routes (ceiling mounting)



- 1 lux table for the centre line of an escape route, in accordance with EN 1838.
 - Level of measurement 0.02 m, measurement results in emergency mode.
- R1** distance from wall, X axis **R4** distance from wall, Y axis
R2 mounting distance, X axis

TWTB152WA, TWTB153WA, TWTB152WM, TWTB153WA

Mounting height (m)	Below the light (lx)	R1 (m)	R2 (m)	R4 (m)
		1 lx	1 lx	1 lx
2.5	7	3	8	1
3	5	3	8.5	1
4	2.5	3	9.5	1

Accessories

Product code	Product description
TWTB101	Recess mounting frame
TWTB103	Flag bracket
TWTB104	Ceiling bracket

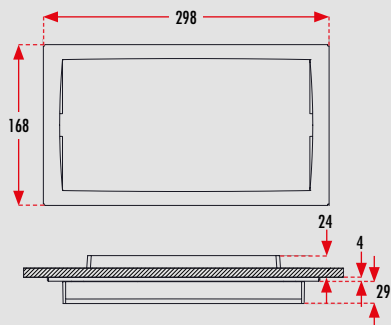
Product code	Product description
TWTB105	Suspension bracket
TW77508B	Shock protecting cover
TWTB110	IP54 gasket

Easy: Combo

Accessories

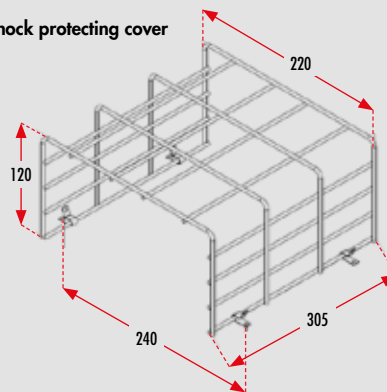
Dimensions [mm]

TWTB101 | Recess mounting frame

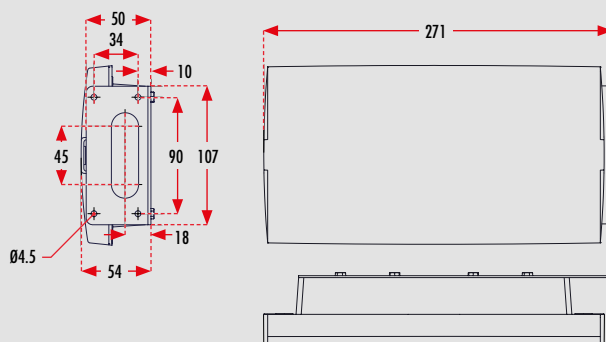


* Aperture for recess mounting 215 mm x 111 mm.

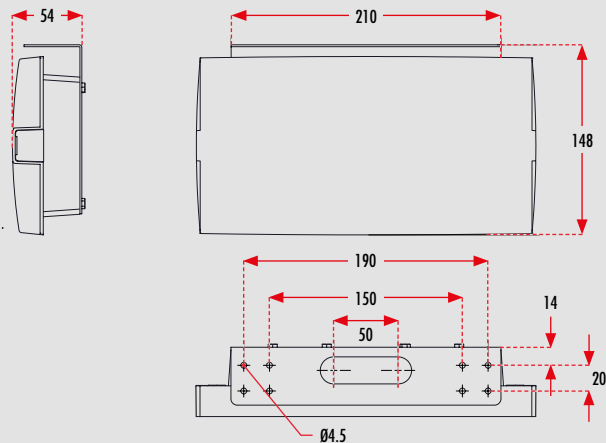
TW77508B | Shock protecting cover



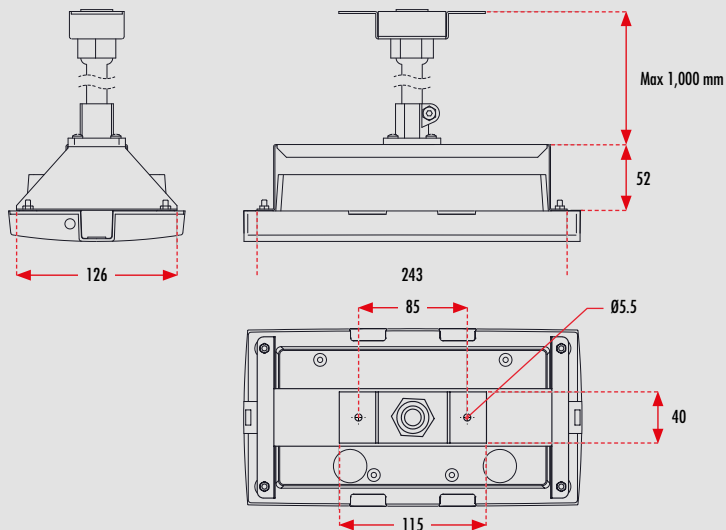
TWTB103 | Flag bracket



TWTB104 | Ceiling bracket



TWTB105 | Suspension bracket



Solid:

Zone Lowbay

Zone Midbay

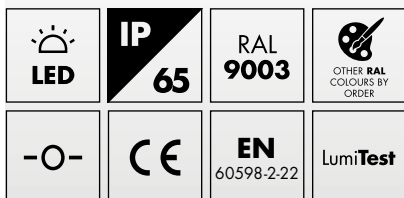
Self-contained emergency light for open areas

Durable emergency light for industrial sites and parking halls

The Teknoware Solid is a fully dustproof and water-resistant IP65-rated emergency light. It is suitable for demanding conditions, such as industrial facilities and parking halls, and for outdoor use.

The Solid Zone Lowbay and Zone Midbay emergency lights provide a broad and even light pattern that illuminates open areas efficiently. The product can be mounted at up to 18 metres. The standard colour is white (RAL 9003), other RAL colours are available upon special order.

The product is available with an Escap supercapacitor or battery and wireless AaltoCtrl remote monitoring.



- **For open areas**
Wide and even light pattern that illuminates open areas efficiently.
- **Dustproof and water-resistant**
IP 65.
- **Mounting height**
up to 18 metres.
- **For demanding conditions**
Industrial facilities, parking halls and outdoor use.



HIGHLIGHTS



DEMANDING CONDITIONS



VERSATILE OPTICS



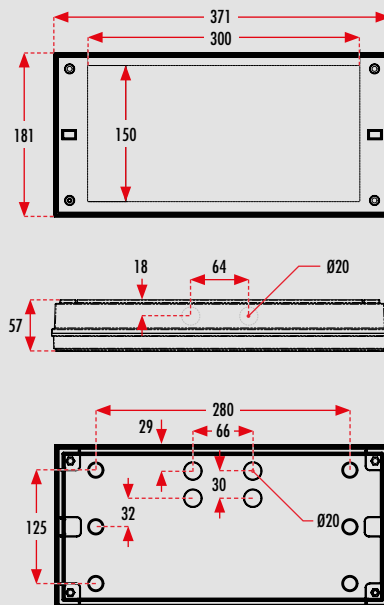
INDOOR AND OUTDOOR USE



DUSTPROOF AND WATER-RESISTANT

Dimensions [mm]

Solid | Luminaire



Solid: Zone Lowbay

Emergency lights with 1-hour supercapacitor and wireless remote monitoring



Product code	Nominal supply voltage	Max. input power during charging	Operation time	Luminous flux	Operating temperature	Electrical installation	Protection class	Weight
TWS3292WA	220–240 V 50/60 Hz AC	3 VA	1 h	94 lm	–25...+35°C	2/3 x 2.5 mm ²	2	1.5 kg

Emergency lights with 1-hour supercapacitor



Product code	Nominal supply voltage	Max. input power during charging	Operation time	Luminous flux	Operating temperature	Electrical installation	Protection class	Weight
TWS3292WM	220–240 V 50/60 Hz AC	3 VA	1 h	94 lm	–25...+35°C	2/3 x 2.5 mm ²	2	1.5 kg

Emergency lights with 1-hour battery and wireless remote monitoring



Product code	Nominal supply voltage	Max. input power during charging	Operation time	Luminous flux	Operating temperature	Electrical installation	Protection class	Weight
TWT3252WA	220–240 V 50/60 Hz AC	2.7 VA	1 h	550 lm	0...+35°C	2/3 x 2.5 mm ²	2	1.5 kg

Emergency lights with 3-hour battery and wireless remote monitoring



Product code	Nominal supply voltage	Max. input power during charging	Operation time	Luminous flux	Operating temperature	Electrical installation	Protection class	Weight
TWT3253WA	220–240 V 50/60 Hz AC	4.1 VA	3 h	550 lm	0...+35°C	2/3 x 2.5 mm ²	2	1.5 kg

Emergency lights with 1-hour battery



Product code	Nominal supply voltage	Max. input power during charging	Operation time	Luminous flux	Operating temperature	Electrical installation	Protection class	Weight
TWT3252WM	220–240 V 50/60 Hz AC	2.6 VA	1 h	550 lm	0...+35°C	2/3 x 2.5 mm ²	2	1.5 kg

Emergency lights with 3-hour battery



Product code	Nominal supply voltage	Max. input power during charging	Operation time	Luminous flux	Operating temperature	Electrical installation	Protection class	Weight
TWT3253WM	220–240 V 50/60 Hz AC	3.8 VA	3 h	550 lm	0...+35°C	2/3 x 2.5 mm ²	2	1.5 kg

Solid: Zone Lowbay

Individually packed emergency lights with 1-hour supercapacitor and wireless remote monitoring

Product code	Luminaire
Y3292WA	TWS3292WA

Individually packed emergency lights with 1-hour supercapacitor

Product code	Luminaire
Y3292WM	TWS3292WM

Individually packed emergency lights with 1-hour battery and wireless remote monitoring

Product code	Luminaire
Y3252WA	TWT3252WA

Individually packed emergency lights with 3-hour battery and wireless remote monitoring

Product code	Luminaire
Y3253WA	TWT3253WA

Individually packed emergency lights with 1-hour battery

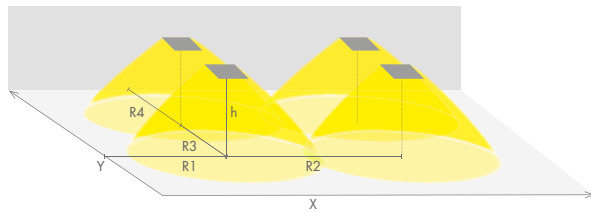
Product code	Luminaire
Y3252WM	TWT3252WM

Individually packed emergency lights with 3-hour battery

Product code	Luminaire
Y3253WM	TWT3253WM

Solid: Zone Lowbay

Light distribution | Emergency lighting for open areas (ceiling mounting)



- 0.5 lux table for open areas, in accordance with EN 1838; 0.5-m border zone is taken into account in the table.
- Level of measurement 0.02 m, measurement result in emergency mode.

R1 distance from wall, X axis

R2 mounting distance, X axis

R3 mounting distance, Y axis

R4 distance from wall, Y axis

TWS3292WA, TWS3292WM

Mounting height (m)	Below the light (lx)	R1 (m)	R2 (m)	R3 (m)	R4 (m)
		0.5 lx	0.5 lx	0.5 lx	0.5 lx
2.5	2	5	9	9	5
3	1.5	4	9.5	9.5	4

TWT3252WA, TWT3253WA, TWT3252WM, TWT3253WM

Mounting height (m)	Below the light (lx)	R1 (m)	R2 (m)	R3 (m)	R4 (m)
		0.5 lx	0.5 lx	0.5 lx	0.5 lx
2.5	12	6.5	12	12	6.5
3	8	7	13.5	13.5	7
4	4	7.5	15	15	7.5
6	2.5	9	16	16	9
8	2	9	17	17	9

Solid: Zone Midbay

Emergency lights with 1-hour supercapacitor and wireless remote monitoring



Product code	Nominal supply voltage	Max. input power during charging	Operation time	Luminous flux	Operating temperature	Electrical installation	Protection class	Weight
TWS3692WA	220–240 V 50/60 Hz AC	3 VA	1 h	93 lm	–25...+35°C	2/3 x 2.5 mm ²	2	1.5 kg

Emergency lights with 1-hour supercapacitor



Product code	Nominal supply voltage	Max. input power during charging	Operation time	Luminous flux	Operating temperature	Electrical installation	Protection class	Weight
TWS3692WM	220–240 V 50/60 Hz AC	3 VA	1 h	93 lm	–25...+35°C	2/3 x 2.5 mm ²	2	1.5 kg

Emergency lights with 1-hour battery and wireless remote monitoring



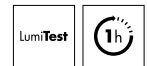
Product code	Nominal supply voltage	Max. input power during charging	Operation time	Luminous flux	Operating temperature	Electrical installation	Protection class	Weight
TWT3652WA	220–240 V 50/60 Hz AC	2.7 VA	1 h	600 lm	0...+35°C	2/3 x 2.5 mm ²	2	1.5 kg

Emergency lights with 3-hour battery and wireless remote monitoring



Product code	Nominal supply voltage	Max. input power during charging	Operation time	Luminous flux	Operating temperature	Electrical installation	Protection class	Weight
TWT3653WA	220–240 V 50/60 Hz AC	4.1 VA	3 h	600 lm	0...+35°C	2/3 x 2.5 mm ²	2	1.5 kg

Emergency lights with 1-hour battery



Product code	Nominal supply voltage	Max. input power during charging	Operation time	Luminous flux	Operating temperature	Electrical installation	Protection class	Weight
TWT3652WM	220–240 V 50/60 Hz AC	2.6 VA	1 h	600 lm	0...+35°C	2/3 x 2.5 mm ²	2	1.5 kg

Emergency lights with 3-hour battery



Product code	Nominal supply voltage	Max. input power during charging	Operation time	Luminous flux	Operating temperature	Electrical installation	Protection class	Weight
TWT3653WM	220–240 V 50/60 Hz AC	3.8 VA	3 h	600 lm	0...+35°C	2/3 x 2.5 mm ²	2	1.5 kg

Individually packed emergency lights with 1-hour supercapacitor and wireless remote monitoring

Product code	Luminaire
Y3692WA	TWS3692WA

Individually packed emergency lights with 1-hour supercapacitor

Product code	Luminaire
Y3692WM	TWS3692WM

Individually packed emergency lights with 1-hour battery and wireless remote monitoring

Product code	Luminaire
Y3652WA	TWT3652WA

Individually packed emergency lights with 3-hour battery and wireless remote monitoring

Product code	Luminaire
Y3653WA	TWT3653WA

Solid: Zone Midbay

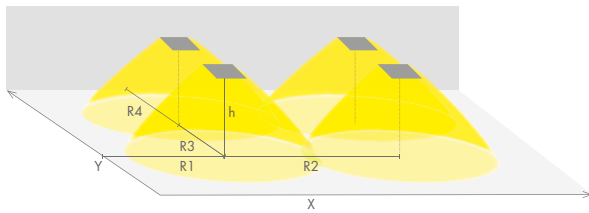
Individually packed emergency lights with 1-hour battery

Product code	Luminaire
Y3652WM	TWT3652WM

Individually packed emergency lights with 3-hour battery

Product code	Luminaire
Y3653WM	TWT3653WM

Light distribution | Emergency lighting for open areas (ceiling mounting)



- 0.5 lux table for open areas, in accordance with EN 1838; 0.5-m border zone is taken into account in the table.
- Level of measurement 0.02 m, measurement result in emergency mode.

R1 distance from wall, X axis

R2 mounting distance, X axis

R3 mounting distance, Y axis

R4 distance from wall, Y axis

TWS3692WA, TWS3692WM

Mounting height (m)	Below the light (lx)	R1 (m)	R2 (m)	R3 (m)	R4 (m)
		0.5 lx	0.5 lx	0.5 lx	0.5 lx
2.5	9	2	6	6	2
3	6.5	2	6.5	6.5	2
4	4	2.5	7	7	2.5
6	2	3	8.5	8.5	3
8	1	3.5	9	9	3.5

TWT3652WA, TWT3653WA, TWT3652WM, TWT3653WM

Mounting height (m)	Below the light (lx)	R1 (m)	R2 (m)	R3 (m)	R4 (m)
		0.5 lx	0.5 lx	0.5 lx	0.5 lx
4	35	5.5	10	10	5.5
6	15	6.5	12.5	12.5	6.5
8	8	7.5	14.5	14.5	7.5
10	5	7.5	15	15	7.5
12	3.5	8	16	16	8
14	2.5	8.5	17	17	8.5
16	2	8.5	18	18	8.5
18	1.5	8.5	17.5	17.5	8.5

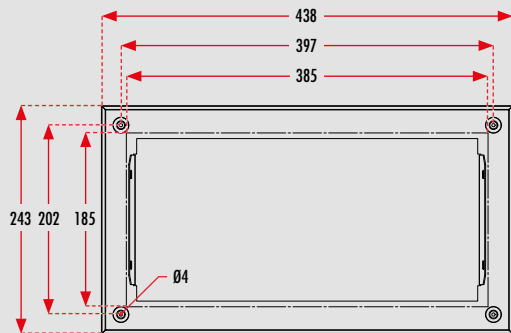
Solid

Accessories

Product code	Product description
TWT3001	Recess mounting frame
TWT3002	Wall bracket
TWT3006	Suspension bracket
TWT3007	Protective cover

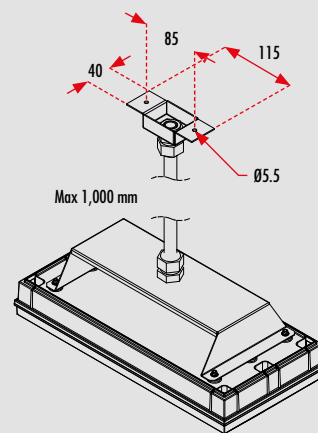
Dimensions [mm]

TWT3001 | Recess mounting frame

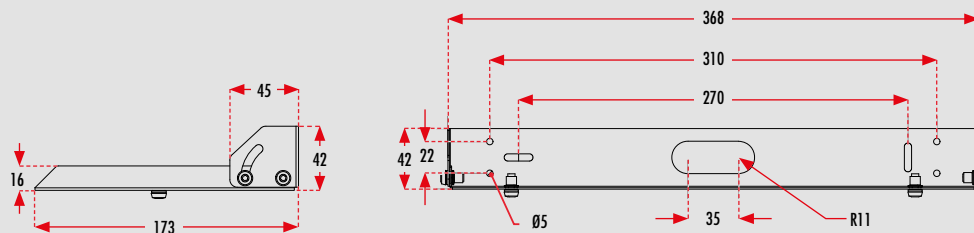
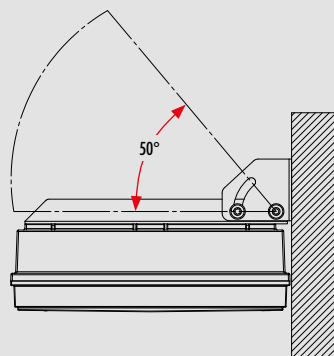


* Aperture for recess mounting 185 mm x 385 mm.

TWT3006 | Suspension bracket



TWT3002 | Wall bracket

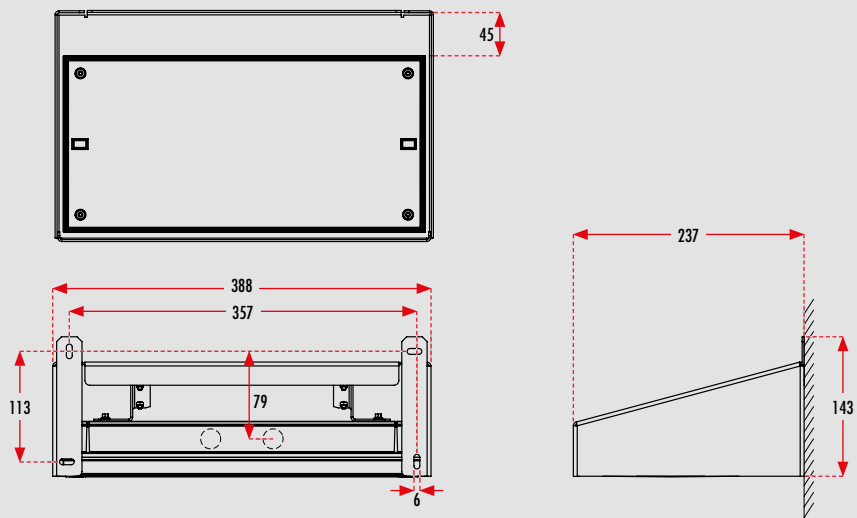


Solid

Accessories

Dimensions [mm]

TWT3007 | Protective cover



Trail:

Zone Lowbay

Zone Midbay

Self-contained emergency light for open areas



A streamlined emergency light that is easy to mount on a track

The Teknoware Trail is an emergency light that can be mounted directly on a lighting track and is Global Trac compatible with a separate adapter. The body is made of metal, and it can also be mounted on the ceiling without a lighting track. The streamlined emergency light blends well into its surroundings and the architecture.

The Trail Zone Lowbay and Zone Midbay provide a broad and even light pattern that illuminates open areas efficiently. The versatile Trail product family has plenty of options for different applications and systems. The standard colour is white (RAL 9003), other RAL colours are available upon special order.

The product is available with an Escap supercapacitor or battery and wireless AaltoCtrl remote monitoring.



- **For open areas**
Broad and even light pattern that illuminates open areas efficiently.
- **Easy to install**
Surface mounting on a lighting track or ceiling as default. Mounting on Global Trac with an accessory.
- **Mounting height**
up to 10 metres.



HIGHLIGHTS



OPTIMISED FOR TRACK MOUNTING



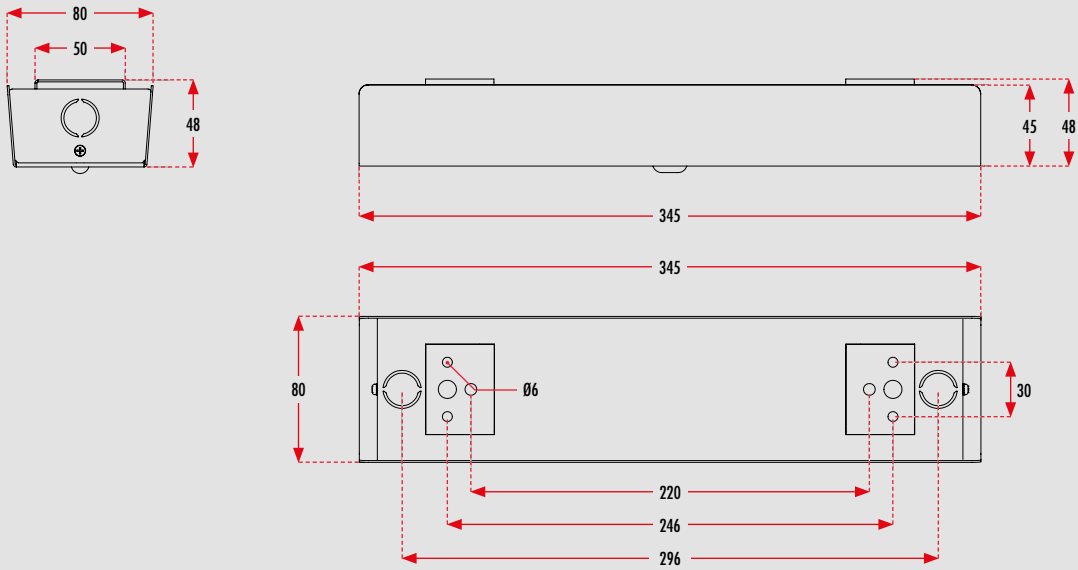
VERSATILE OPTICS



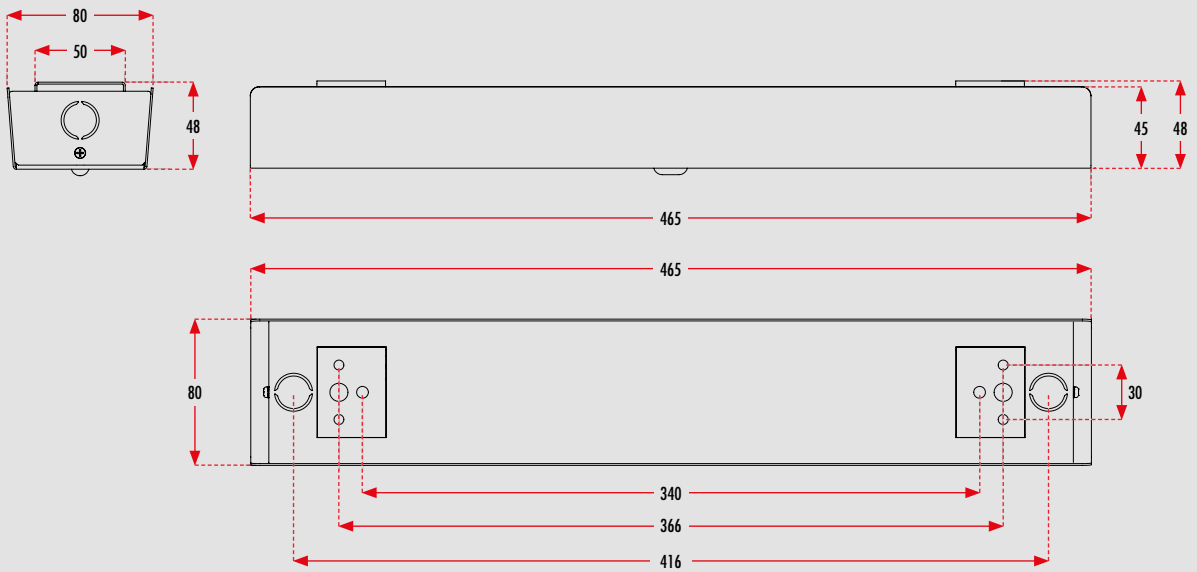
METAL BODY

Dimensions [mm]

Trail | TWTCxxx



Trail | TWSCxxx



Product information on page 294

Trail: Zone Lowbay

Emergency lights with 1-hour supercapacitor and wireless remote monitoring



Product code	Nominal supply voltage	Max. input power during charging	Operation time	Luminous flux	Operating temperature	Electrical installation	Protection class	Weight
TWSC292WA	220–240 V 50/60 Hz AC	3 VA	1 h	80 lm	–25...+35°C	3 x 2.5 mm ²	1	1.6 kg
TWSC292WAC *	220–240 V 50/60 Hz AC	3 VA	1 h	115 lm	–25...+35°C	3 x 2.5 mm ²	1	1.6 kg

* Higher luminous flux

Emergency lights with 1-hour supercapacitor



Product code	Nominal supply voltage	Max. input power during charging	Operation time	Luminous flux	Operating temperature	Electrical installation	Protection class	Weight
TWSC292WM	220–240 V 50/60 Hz AC	3 VA	1 h	80 lm	–25...+35°C	3 x 2.5 mm ²	1	1.6 kg
TWSC292WMC *	220–240 V 50/60 Hz AC	3 VA	1 h	115 lm	–25...+35°C	3 x 2.5 mm ²	1	1.6 kg

* Higher luminous flux

Emergency lights with 1-hour battery and wireless remote monitoring



Product code	Nominal supply voltage	Max. input power during charging	Operation time	Luminous flux	Operating temperature	Electrical installation	Protection class	Weight
TWTC252WA	220–240 V 50/60 Hz AC	3 VA	1 h	255 lm	0...+35°C	3 x 2.5 mm ²	1	1.1 kg

Emergency lights with 3-hour battery and wireless remote monitoring



Product code	Nominal supply voltage	Max. input power during charging	Operation time	Luminous flux	Operating temperature	Electrical installation	Protection class	Weight
TWTC253WA	220–240 V 50/60 Hz AC	6 VA	3 h	255 lm	0...+35°C	3 x 2.5 mm ²	1	1.3 kg

Emergency lights with 1-hour battery



Product code	Nominal supply voltage	Max. input power during charging	Operation time	Luminous flux	Operating temperature	Electrical installation	Protection class	Weight
TWTC252WM	220–240 V 50/60 Hz AC	3 VA	1 h	255 lm	0...+35°C	3 x 2.5 mm ²	1	1.1 kg

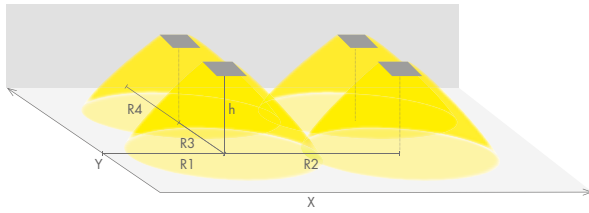
Emergency lights with 3-hour battery



Product code	Nominal supply voltage	Max. input power during charging	Operation time	Luminous flux	Operating temperature	Electrical installation	Protection class	Weight
TWTC253WM	220–240 V 50/60 Hz AC	6 VA	3 h	255 lm	0...+35°C	3 x 2.5 mm ²	1	1.3 kg

Trail: Zone Lowbay

Light distribution | Emergency lighting for open areas (ceiling mounting)



- 0.5 lux table for open areas, in accordance with EN 1838; 0.5-m border zone is taken into account in the table.
 - Level of measurement 0.02 m, measurement result in emergency mode.
- R1** distance from wall, X axis **R3** mounting distance, Y axis
R2 mounting distance, X axis **R4** distance from wall, Y axis

TWSC292WM, TWSC292WA

Mounting height (m)	Below the light (lx)	R1 (m)	R2 (m)	R3 (m)	R4 (m)
		0.5 lx	0.5 lx	0.5 lx	0.5 lx
2.5	1.6	3	6.5	6.5	3
3	1.4	3	6.5	6.5	3

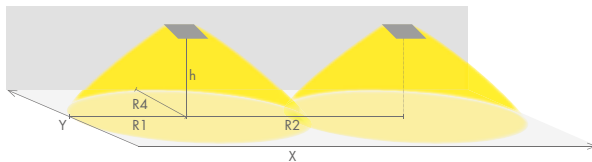
TWSC292WAC, TWSC292WMC

Mounting height (m)	Below the light (lx)	R1 (m)	R2 (m)	R3 (m)	R4 (m)
		0.5 lx	0.5 lx	0.5 lx	0.5 lx
2.5	2	4	8	8	4
3	1.6	4	8	8	4
4	1.4	3	8.5	8.5	3

TWTC252WM, TWTC253WM, TWTC252WA, TWTC253WA

Mounting height (m)	Below the light (lx)	R1 (m)	R2 (m)	R3 (m)	R4 (m)
		0.5 lx	0.5 lx	0.5 lx	0.5 lx
2.5	4.3	5.5	10	10	5.5
4	1.9	6	11	11	6
6	1.6	6	11	11	6

Light distribution | Emergency lighting for escape routes (ceiling mounting)



- 1 lux table for the centre line of an escape route, in accordance with EN 1838.
 - Level of measurement 0.02 m, measurement results in emergency mode.
- R1** distance from wall, X axis **R4** distance from wall, Y axis
R2 mounting distance, X axis

TWSC292WM, TWSC292WA

Mounting height (m)	Below the light (lx)	R1 (m)	R2 (m)	R4 (m)
		1 lx	1 lx	1 lx
2.5	1.5	3	7	1

TWSC292WAC, TWSC292WMC

Mounting height (m)	Below the light (lx)	R1 (m)	R2 (m)	R4 (m)
		1 lx	1 lx	1 lx
2.5	2	4	8	1
3	1.6	4	8	1
4	1.4	3.7	7.5	1

TWTC252WM, TWTC253WM, TWTC252WA, TWTC253WA

Mounting height (m)	Below the light (lx)	R1 (m)	R2 (m)	R4 (m)
		1 lx	1 lx	1 lx
2.5	4.3	5	11	1
4	1.7	4	14	1

| NOTE! To illuminate an escape route, we recommend the Trail Line Lowbay; see page 333.

Trail: Zone Midbay

Emergency lights with 1-hour supercapacitor and wireless remote monitoring



Product code	Nominal supply voltage	Max. input power during charging	Operation time	Luminous flux	Operating temperature	Electrical installation	Protection class	Weight
TWSC592WA	220–240 V 50/60 Hz AC	3 VA	1 h	75 lm	–25...+35°C	3 x 2.5 mm ²	1	1.6 kg
TWSC592WAC *	220–240 V 50/60 Hz AC	3 VA	1 h	105 lm	–25...+35°C	3 x 2.5 mm ²	1	1.6 kg

* Higher luminous flux

Emergency lights with 1-hour supercapacitor



Product code	Nominal supply voltage	Max. input power during charging	Operation time	Luminous flux	Operating temperature	Electrical installation	Protection class	Weight
TWSC592WM	220–240 V 50/60 Hz AC	3 VA	1 h	75 lm	–25...+35°C	3 x 2.5 mm ²	1	1.6 kg
TWSC592WMC *	220–240 V 50/60 Hz AC	3 VA	1 h	105 lm	–25...+35°C	3 x 2.5 mm ²	1	1.6 kg

* Higher luminous flux

Emergency lights with 1-hour battery and wireless remote monitoring



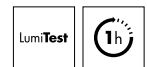
Product code	Nominal supply voltage	Max. input power during charging	Operation time	Luminous flux	Operating temperature	Electrical installation	Protection class	Weight
TWTC552WA	220–240 V 50/60 Hz AC	3 VA	1 h	230 lm	0...+35°C	3 x 2.5 mm ²	1	1.1 kg

Emergency lights with 3-hour battery and wireless remote monitoring



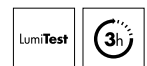
Product code	Nominal supply voltage	Max. input power during charging	Operation time	Luminous flux	Operating temperature	Electrical installation	Protection class	Weight
TWTC553WA	220–240 V 50/60 Hz AC	6 VA	3 h	230 lm	0...+35°C	3 x 2.5 mm ²	1	1.3 kg

Emergency lights with 1-hour battery



Product code	Nominal supply voltage	Max. input power during charging	Operation time	Luminous flux	Operating temperature	Electrical installation	Protection class	Weight
TWTC552WM	220–240 V 50/60 Hz AC	3 VA	1 h	230 lm	0...+35°C	3 x 2.5 mm ²	1	1.1 kg

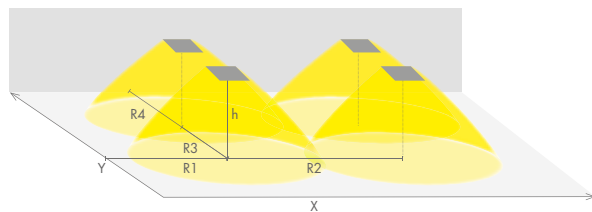
Emergency lights with 3-hour battery



Product code	Nominal supply voltage	Max. input power during charging	Operation time	Luminous flux	Operating temperature	Electrical installation	Protection class	Weight
TWTC553WM	220–240 V 50/60 Hz AC	6 VA	3 h	230 lm	0...+35°C	3 x 2.5 mm ²	1	1.3 kg

Trail: Zone Midbay

Light distribution | Emergency lighting for open areas (ceiling mounting)



- 0.5 lux table for open areas, in accordance with EN 1838; 0.5-m border zone is taken into account in the table.
- Level of measurement 0.02 m, measurement result in emergency mode.

R1 distance from wall, X axis

R2 mounting distance, X axis

R3 mounting distance, Y axis

R4 distance from wall, Y axis

TWSC592WM, TWSC592WA

Mounting height (m)	Below the light (lx)	R1 (m)	R2 (m)	R3 (m)	R4 (m)
		0.5 lx	0.5 lx	0.5 lx	0.5 lx
2.5	8.5	2	4	4	2
3	6	2	4.5	4.5	2
4	3.5	2	5	5	2
6	1.5	3	6	6	3

TWSC592WAC, TWSC592WMC

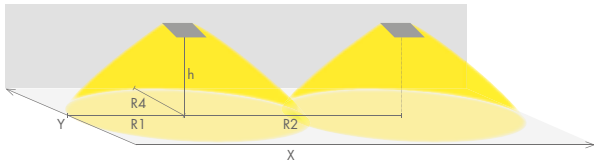
Mounting height (m)	Below the light (lx)	R1 (m)	R2 (m)	R3 (m)	R4 (m)
		0.5 lx	0.5 lx	0.5 lx	0.5 lx
2.5	11	2.5	5	5	2.5
3	7.5	2.5	5	5	2.5
4	4	3	6	6	3
6	2	3.5	8	8	3.5
8	1	3.5	8	8	3.5

TWTC552WM, TWTC553WM, TWTC552WA, TWTC553WA

Mounting height (m)	Below the light (lx)	R1 (m)	R2 (m)	R3 (m)	R4 (m)
		0.5 lx	0.5 lx	0.5 lx	0.5 lx
2.5	25	3	5.5	5.5	3
4	9	3.5	6.5	6.5	3.5
6	4	4.5	8	8	4.5
8	2.5	5	9.5	9.5	5
10	1.5	5	10	10	5

Trail: Zone Midbay

Light distribution | Emergency lighting for escape routes (ceiling mounting)



- 1 lux table for the centre line of an escape route, in accordance with EN 1838.
- Level of measurement 0.02 m, measurement results in emergency mode.

R1 distance from wall, X axis

R2 mounting distance, X axis

R4 distance from wall, Y axis

TWSC592WM, TWSC592WA

Mounting height (m)	Below the light (lx)	R1 (m)	R2 (m)	R4 (m)
		1 lx	1 lx	1 lx
2.5	8.5	2	5	1
3	6	2	5.5	1
4	3.5	3	6	1
6	1.5	3	7	1

TWSC592WAC, TWSC592WMC

Mounting height (m)	Below the light (lx)	R1 (m)	R2 (m)	R4 (m)
		1 lx	1 lx	1 lx
2.5	11	2	5.5	1
3	7.5	2	5.5	1
4	4	3	6	1
6	2	3	8.5	1

TWTC552WM, TWTC553WM, TWTC552WA, TWTC553WA

Mounting height (m)	Below the light (lx)	R1 (m)	R2 (m)	R4 (m)
		1 lx	1 lx	1 lx
2.5	25	2.5	6	1
4	9	3	8	1
6	4	4	9	1
8	2.5	4.5	11	1
10	1.5	3.5	11	1

| NOTE! To illuminate an escape route, we recommend the Trail Line Midbay; see page 335.

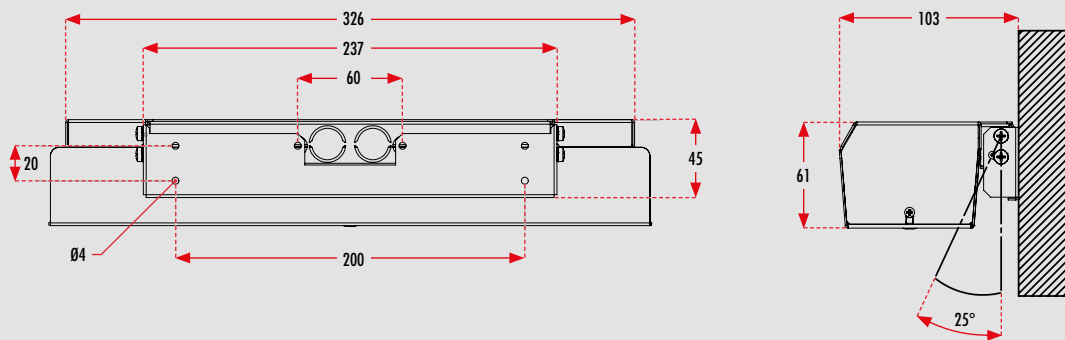
Trail

Accessories

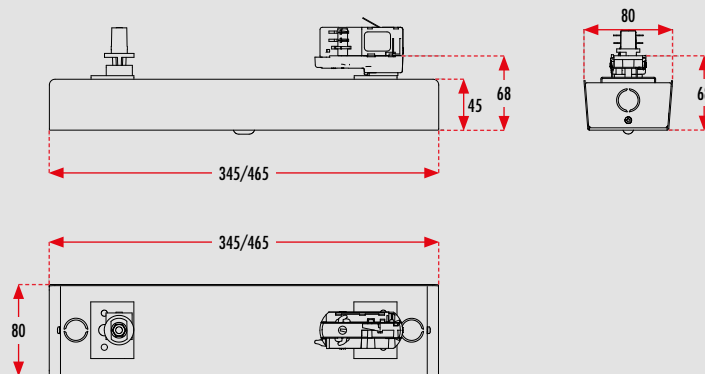
Product code	Product description
TWTC1001	Wall bracket
TWTC1000	Lighting track adapter (compatible with Global Trac)
TWTC1000B	Lighting track adapter, black (compatible with Global Trac)

Dimensions [mm]

TWTC1001 | Wall bracket







TWTC1000(B) | Lighting track adapter



Smooth: Zone

Self-contained emergency light for open areas

 LED	 IP 65	 IK10	 RAL 7024
 -O-	 CE	 EN 60598-2-22	 LumiTest

Compact, durable and versatile outdoor emergency light

The Teknoware Smooth is a small but highly durable emergency light that is optimised for outdoor use and blends seamlessly into the architecture of the building. The Smooth Zone provides a broad and even light pattern that illuminates open areas efficiently.

The Smooth always consists of two units: the luminaire and a separate indoor electronic unit. The product includes a 5-metre fireproof mounting cable between the units. The luminaire is designed for surface mounting on a wall. The Smooth has an impact-resistant cast aluminium casing (IK10), and it is dustproof and water-resistant (IP65 for the visible part). The standard colour is graphite grey (RAL 7024).

The product is available with an Escap supercapacitor or battery and wireless AaltoCtrl remote monitoring.



For open areas

Wide and even light pattern that illuminates open areas efficiently.

Mounting height

up to 4 metres.

Combination model

Can be used as an emergency light and as a 300 lm general luminaire, depending on the application.

Streamlined

Blends seamlessly into the architecture of the building.

Dustproof and water-resistant

IP 65.

Vandalism-proof

Impact-resistant cast aluminium casing (IK10).

Two units

Consists of the luminaire and an electronics unit.



HIGHLIGHTS



SMALL AND
DISCREET



DEMANDING
CONDITIONS



EMERGENCY LIGHT AND
GENERAL LUMINAIRE *



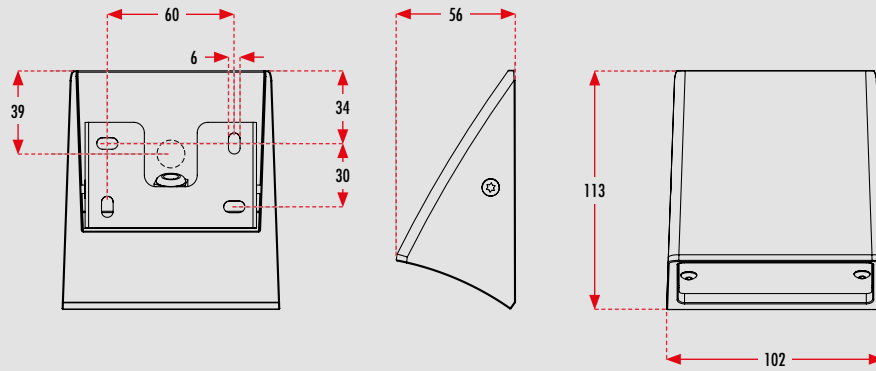
IMPACT-RESISTANT
IK10



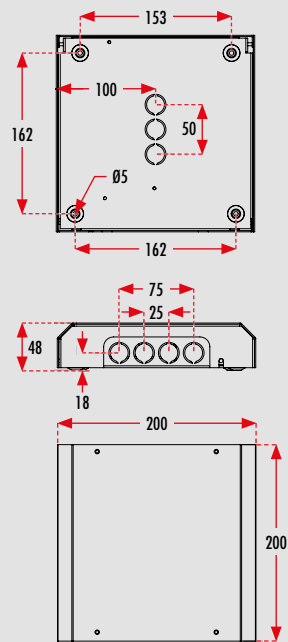
DUSTPROOF AND
WATER-RESISTANT

Dimensions [mm]

Smooth | Luminaire



Smooth | Electronics unit (IP20)



Product
information
on page 302

Smooth: Zone

Emergency lights with 1-hour supercapacitor and wireless remote monitoring



Product code	Nominal supply voltage	Max. input power during charging	Operation time	Luminous flux **	Operating temperature	Electrical installation	Protection class	Weight
TWSA892WA	220-240 V 50/60 Hz AC	11 VA */ 3 VA	1 h	32 lm	-25...+35°C	3/4 x 2.5 mm ²	1	1.4 kg

* Used as a general luminaire | ** Luminous flux in emergency mode

Emergency lights with 1-hour supercapacitor



Product code	Nominal supply voltage	Max. input power during charging	Operation time	Luminous flux **	Operating temperature	Electrical installation	Protection class	Weight
TWSA892WM	220-240 V 50/60 Hz AC	11 VA */ 3 VA	1 h	32 lm	-25...+35°C	3/4 x 2.5 mm ²	1	1.4 kg

* Used as a general luminaire | ** Luminous flux in emergency mode

Emergency lights with 1-hour battery and wireless remote monitoring



Product code	Nominal supply voltage	Max. input power during charging	Operation time	Luminous flux	Operating temperature	Electrical installation	Protection class	Weight
TWTA852WAF	220-240 V 50/60 Hz AC	3 VA	1 h	200 lm	-0...+35°C	3 x 2.5 mm ²	1	1.4 kg

Emergency lights with 3-hour battery and wireless remote monitoring



Product code	Nominal supply voltage	Max. input power during charging	Operation time	Luminous flux	Operating temperature	Electrical installation	Protection class	Weight
TWTA853WAF	220-240 V 50/60 Hz AC	6 VA	3 h	200 lm	-0...+35°C	3 x 2.5 mm ²	1	1.5 kg

Emergency lights with 1-hour battery



Product code	Nominal supply voltage	Max. input power during charging	Operation time	Luminous flux	Operating temperature	Electrical installation	Protection class	Weight
TWTA852WMF	220-240 V 50/60 Hz AC	3 VA	1 h	200 lm	-0...+35°C	3 x 2.5 mm ²	1	1.4 kg

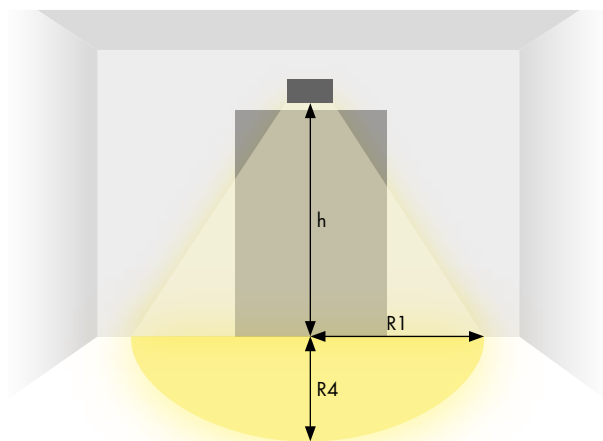
Emergency lights with 3-hour battery



Product code	Nominal supply voltage	Max. input power during charging	Operation time	Luminous flux **	Operating temperature	Electrical installation	Protection class	Weight
TWTA853WMF	220-240 V 50/60 Hz AC	6 VA	3 h	200 lm	-0...+35°C	3 x 2.5 mm ²	1	1.5 kg

Smooth: Zone

Light distribution | Wall mounting



- 1 and 0.5 lux table below the emergency light.
- Level of measurement 0.02 m, measurement results in emergency mode.

R1 distance from wall, X axis

R4 distance from wall, Y axis

TWSA892WM, TWSA892WA

Mounting height (m)	Below the light (lx)	R1 (m)	R4 (m)	R1 (m)	R4 (m)
		1 lx	1 lx	0.5 lx	0.5 lx
2.5	9	1.4	3	1.6	3.2
3	6	1.5	3.1	1.8	3.5

TWTA852WMF, TWTA853WMF, TWTA852WAF, TWTA853WAF

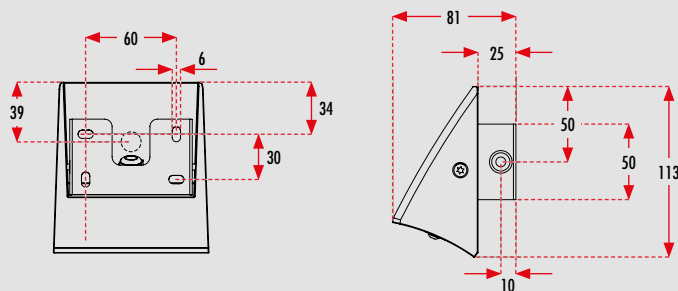
Mounting height (m)	Below the light (lx)	R1 (m)	R4 (m)	R1 (m)	R4 (m)
		1 lx	1 lx	0.5 lx	0.5 lx
2.5	13	2.4	4.5	2.5	6
3	9	2.6	5	2.8	6.5
4	5	3	5.2	3.4	7

Accessories

Product code	Product description
XWTA810	Surface-mounting bracket for surface-mounted cable

Dimensions [mm]

XWTA810 | Surface-mounting bracket for surface-mounted cable



Stamina:

Zone Lowbay

Zone Midbay

Self-contained emergency light for open areas

 LED	IP 65	 IK10	RAL 9007
-O-	CE	EN 60598-2-22	LumiTest

Versatile emergency light for outdoor and industrial use and other demanding conditions

The Teknoware Stamina is a versatile and robust emergency light that has been designed to endure freezing temperatures and challenging conditions. The Stamina is particularly well suited for industrial sites, tunnels, parking halls and loading platforms. The Stamina Zone Lowbay and Zone Midbay emergency lights provide a broad and even light pattern that illuminates open areas efficiently.

The Stamina is a combination product that can be used as an emergency light and as a general luminaire, for example, above doors. The Stamina has an impact-resistant cast aluminium casing (IK10), and it is dustproof and water-resistant (IP65). The luminaire has a glass diffusor, which provides excellent protection against chemicals. The Stamina can be surface-mounted on the wall or ceiling with a separate bracket or recess-mounted with a recess frame. When mounted with the wall bracket, the light is at a 20° angle. The standard colour is graphite grey (RAL 9007).

The product is available with an Escap supercapacitor and wireless AaltoCtrl remote monitoring.



For open areas

Broad and even light pattern that illuminates open areas efficiently.

Mounting height

Up to 6 metres.

Combination model

Escap models can also be used as 300 lm general luminaires.

Dustproof and water-resistant

IP 65.

Vandalism-proof

Impact-resistant cast aluminium casing (IK10).

Weatherproof

Can be used in temperatures of between -25...+50°C.



HIGHLIGHTS



DEMANDING
CONDITIONS



EMERGENCY LIGHT AND
GENERAL LUMINAIRE *



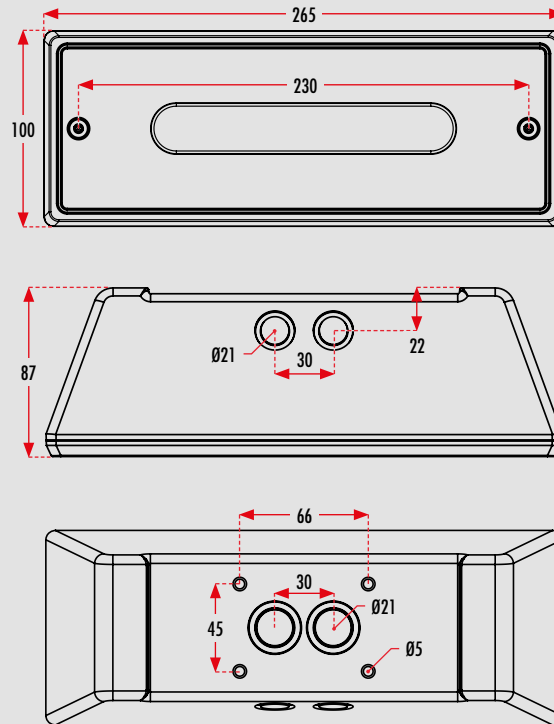
IMPACT-RESISTANT
IK10



DUSTPROOF AND
WATER-RESISTANT

Dimensions [mm]

Stamina | Luminaire



Stamina: Zone Lowbay

Emergency lights with 1-hour supercapacitor and wireless remote monitoring



Product code	Nominal supply voltage	Max. input power during charging	Operation time	Luminous flux ***	Operating temperature	Electrical installation	Protection class	Weight
TWS5292WA	220–240 V 50/60 Hz AC	11 VA */ 3 VA	1 h	32 lm	–25...+35°C	3/4 x 2.5 mm ²	1	1.4 kg
TWS5292WAS **	220–240 V 50/60 Hz AC	11 VA */ 3 VA	1 h	32 lm	–25...+35°C	3/4 x 2.5 mm ²	1	1.4 kg

* Used as a general luminaire | ** With integrated ambient light sensor | *** Luminous flux in emergency mode

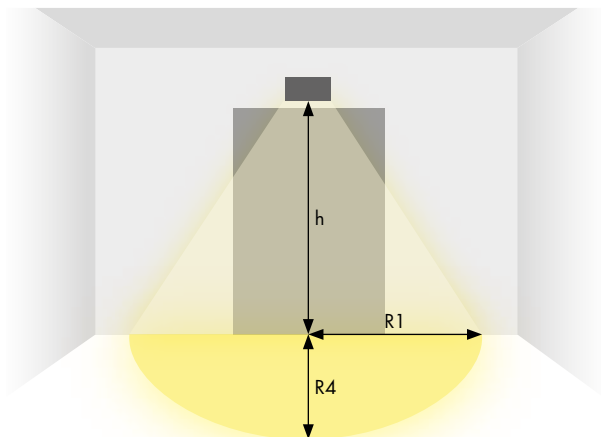
Emergency lights with 1-hour supercapacitor



Product code	Nominal supply voltage	Max. input power during charging	Operation time	Luminous flux ***	Operating temperature	Electrical installation	Protection class	Weight
TWS5292WM	220–240 V 50/60 Hz AC	11 VA */ 3 VA	1 h	32 lm	–25...+35°C	3/4 x 2.5 mm ²	1	1.4 kg
TWS5292WMS **	220–240 V 50/60 Hz AC	11 VA */ 3 VA	1 h	32 lm	–25...+35°C	3/4 x 2.5 mm ²	1	1.4 kg

* Used as a general luminaire | ** With integrated ambient light sensor | *** Luminous flux in emergency mode

Light distribution | Wall mounting



- 1 and 0.5 lux table below the emergency light.
- Level of measurement 0.02 m, measurement results in emergency mode.

R1 distance from wall, X axis

R4 distance from wall, Y axis

TWS5292WA, TWS5292WAS, TWS5292WM, TWS5292WMS

Mounting height (m)	Below the light (lx)	R1 (m)	R4 (m)	R1 (m)	R4 (m)
		1 lx	1 lx	0.5 lx	0.5 lx
2	14	1.2	2.3	1.5	2.7
2.5	9	1.4	3	1.6	3.2
3	6	1.5	3.1	1.8	3.5

Stamina: Zone Midbay

Emergency lights with 1-hour supercapacitor and wireless remote monitoring



Product code	Nominal supply voltage	Max. input power during charging	Operation time	Luminous flux **	Operating temperature	Electrical installation	Protection class	Weight
TWS5792WAG	220-240 V 50/60 Hz AC	11 VA * / 3 VA	1 h	96 lm	-25...+35°C	3/4 x 2.5 mm ²	1	1.4 kg

* Used as a general luminaire | ** Luminous flux in emergency mode

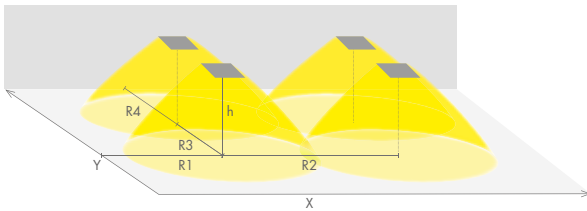
Emergency lights with 1-hour supercapacitor



Product code	Nominal supply voltage	Max. input power during charging	Operation time	Luminous flux **	Operating temperature	Electrical installation	Protection class	Weight
TWS5792WMG	220-240 V 50/60 Hz AC	11 VA * / 3 VA	1 h	96 lm	-25...+35°C	3/4 x 2.5 mm ²	1	1.4 kg

* Used as a general luminaire | ** Luminous flux in emergency mode

Light distribution | Emergency lighting for open areas (ceiling mounting)



- 0.5 lux table for open areas, in accordance with EN 1838; 0.5-m border zone is taken into account in the table.
- Level of measurement 0.02 m, measurement result in emergency mode.

R1 distance from wall, X axis

R2 mounting distance, X axis

R3 mounting distance, Y axis

R4 distance from wall, Y axis

TWS5792WMG, TWS5792WAG

Mounting height (m)	Below the light (lx)	R1 (m)	R2 (m)	R3 (m)	R4 (m)
		0.5 lx	0.5 lx	0.5 lx	0.5 lx
2.5	6.5	3.5	7.5	3.5	2
3	4.5	4	8	5	2.5
4	2.5	4.5	9	6	3
6	1	4.5	9	6	3

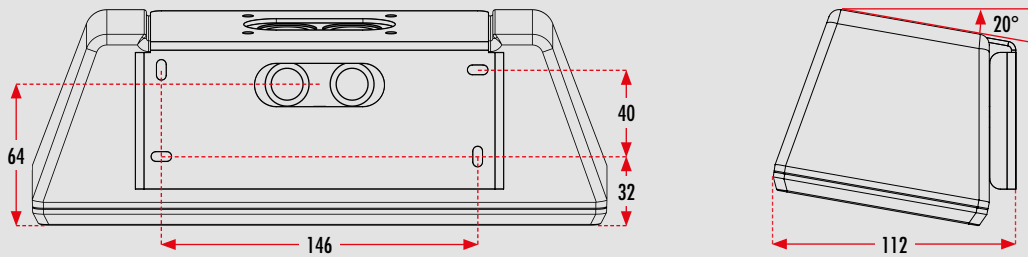
Stamina

Accessories

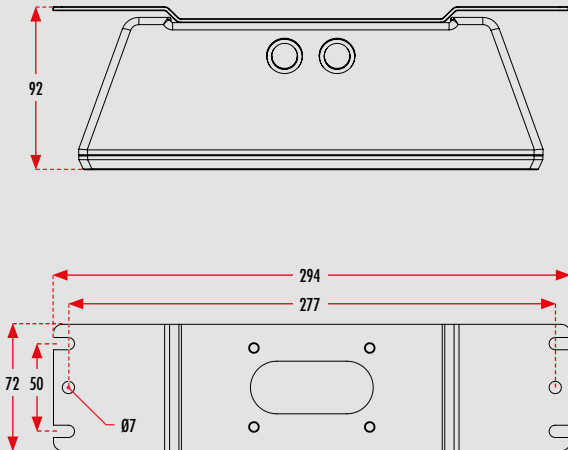
Product code	Product description
XWT5210	Wall bracket
XWT5211	Ceiling bracket
XWT5213	Recess mounting frame

Dimensions [mm]

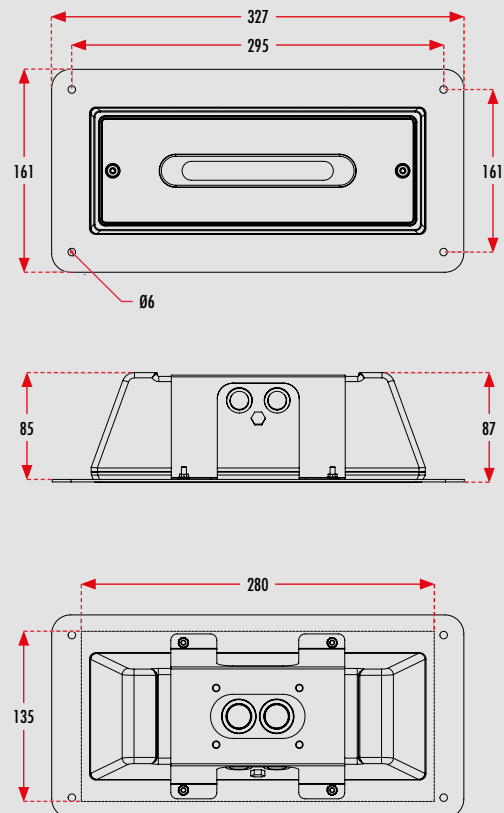
XWT5210 | Wall bracket



XWT5211 | Ceiling bracket



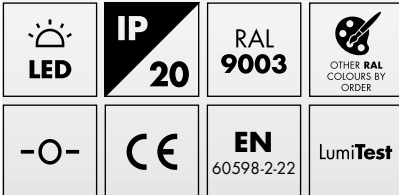
XWT5213 | Recess mounting frame *



* Aperture for recess mounting 135 mm x 280 mm.

Slimspot II: Line Lowbay Line Midbay

Self-contained emergency
light for escape routes



Discreet and efficient emergency light that blends seamlessly into the architecture of the space

The Teknoware Slimspot II Line Lowbay and Line Midbay emergency lights provide a long and narrow light pattern that illuminates escape routes efficiently.

Thanks to its compact size, the emergency light blends seamlessly into the architecture of the space. The extensive product and optics range offers several ways to illuminate areas of different types and sizes. The Slimspot II has a durable metal body, and it is designed for indoor use.

The standard colour is white (RAL 9003). Other RAL colours are available upon special order. The Slimspot II includes a light and one or two electronic units. The product is delivered with the 900-mm connection cable between the light and the electronic unit.

The product is available with an Escap supercapacitor or battery and wireless AaltoCtrl remote monitoring.



For escape routes

A long and narrow light pattern that illuminates escape routes efficiently.

Mounting height

up to 10 metres.

Elegant

Minimalist and classic design.

Square or round

Choose the model that suits your needs.

Discreet

Recessed emergency light blends seamlessly into the ceiling.



HIGHLIGHTS



**SMALL AND
DISCREET**



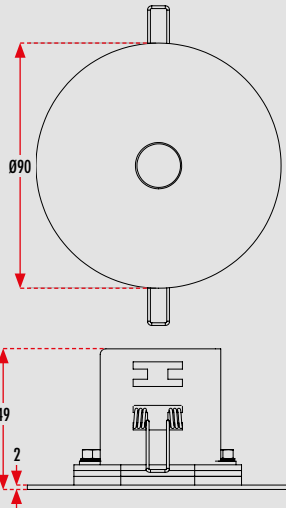
**EXTENSIVE
PRODUCT RANGE**



VERSATILE OPTICS

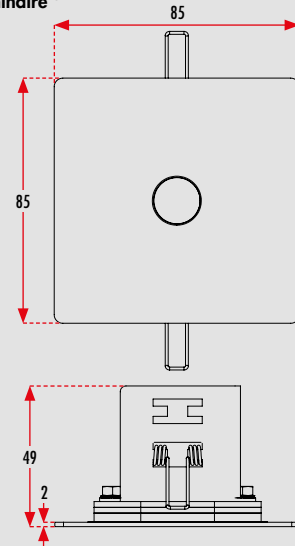
Dimensions [mm]

TWx11/61xx | Luminaire *

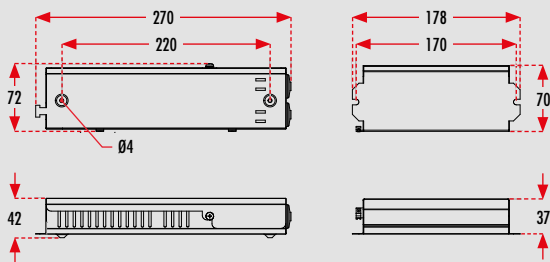


* Aperture Ø 75 mm. Mounted with springs that are part of the product.

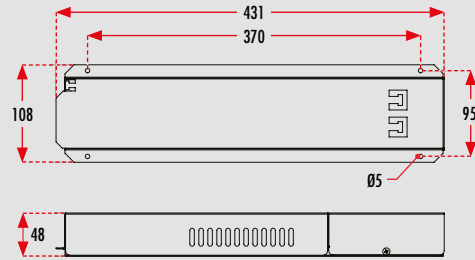
TWxA1/A4xx | Luminaire *



TWSxx92Wx | Electronics unit

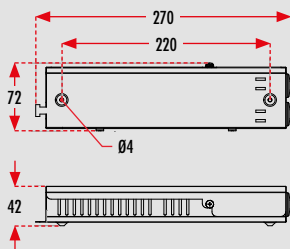


TWSxx92Wx4 | Electronics unit **



** Does not fit through 75mm aperture.

TWTxx52Wx/53Wx | Electronics unit



Product information on page 310

Self-contained emergency lights	Shape: round		Shape: square	
	Escape route		Escape route	
	Lowbay	Midbay	Lowbay	Midbay
With 1-hour supercapacitor and wireless remote monitoring	TWS6192WA TWS6192WA4	TWS1192WA TWS1192WA4	TWSA192WA TWSA192WA4	TWSA492WA TWSA492WA4
With 1-hour supercapacitor	TWS6192WM TWS6192WM4	TWS1192WM TWS1192WM4	TWSA192WM TWSA192WM4	TWSA492WM TWSA492WM4
With 1-hour battery and wireless remote monitoring	TWT6152WA	TWT1152WA	TWTA152WA	TWTA452WA
With 3-hour battery and wireless remote monitoring	TWT6153WA	TWT1153WA	TWTA153WA	TWTA453WA
With 1-hour battery	TWT6152WM	TWT1152WM	TWTA152WM	TWTA452WM
With 3-hour battery	TWT6153WM	TWT1153WM	TWTA153WM	TWTA453WM

Slimspot II: Line Lowbay

Emergency lights with 1-hour supercapacitor and wireless remote monitoring



Shape/colour	Product code	Nominal supply voltage	Max. input power during charging	Operation time	Luminous flux	Operating temperature	Electrical installation	Protection class	Weight
○	TWS6192WA	220–240 V 50/60 Hz AC	3 VA	1 h	75 lm	–25...+35°C	3 x 2.5 mm ²	1	0.8 kg
○	TWS6192WA4	220–240 V 50/60 Hz AC	3 VA	1 h	75 lm	–25...+35°C	3 x 2.5 mm ²	1	0.8 kg
□	TWSA192WA	220–240 V 50/60 Hz AC	3 VA	1 h	75 lm	–25...+35°C	3 x 2.5 mm ²	1	0.8 kg
□	TWSA192WA4	220–240 V 50/60 Hz AC	3 VA	1 h	75 lm	–25...+35°C	3 x 2.5 mm ²	1	0.8 kg

Emergency lights with 1-hour supercapacitor



Shape/colour	Product code	Nominal supply voltage	Max. input power during charging	Operation time	Luminous flux	Operating temperature	Electrical installation	Protection class	Weight
○	TWS6192WM	220–240 V 50/60 Hz AC	3 VA	1 h	75 lm	–25...+35°C	3 x 2.5 mm ²	1	0.8 kg
○	TWS6192WM4	220–240 V 50/60 Hz AC	3 VA	1 h	75 lm	–25...+35°C	3 x 2.5 mm ²	1	0.8 kg
□	TWSA192WM	220–240 V 50/60 Hz AC	3 VA	1 h	75 lm	–25...+35°C	3 x 2.5 mm ²	1	0.8 kg
□	TWSA192WM4	220–240 V 50/60 Hz AC	3 VA	1 h	75 lm	–25...+35°C	3 x 2.5 mm ²	1	0.8 kg

Emergency lights with 1-hour battery and wireless remote monitoring



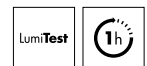
Shape/colour	Product code	Nominal supply voltage	Max. input power during charging	Operation time	Luminous flux	Operating temperature	Electrical installation	Protection class	Weight
○	TWT6152WA	220–240 V 50/60 Hz AC	3 VA	1 h	250 lm	0...+35°C	3 x 2.5 mm ²	I	0.6 kg
□	TWTA152WA	220–240 V 50/60 Hz AC	3 VA	1 h	250 lm	0...+35°C	3 x 2.5 mm ²	I	0.6 kg

Emergency lights with 3-hour battery and wireless remote monitoring



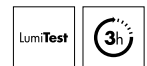
Shape/colour	Product code	Nominal supply voltage	Max. input power during charging	Operation time	Luminous flux	Operating temperature	Electrical installation	Protection class	Weight
○	TWT6153WA	220–240 V 50/60 Hz AC	6 VA	3 h	250 lm	0...+35°C	3 x 2.5 mm ²	I	0.8 kg
□	TWTA153WA	220–240 V 50/60 Hz AC	6 VA	3 h	250 lm	0...+35°C	3 x 2.5 mm ²	I	0.8 kg

Emergency lights with 1-hour battery



Shape/colour	Product code	Nominal supply voltage	Max. input power during charging	Operation time	Luminous flux	Operating temperature	Electrical installation	Protection class	Weight
○	TWT6152WM	220–240 V 50/60 Hz AC	3 VA	1 h	250 lm	0...+35°C	3 x 2.5 mm ²	1	0.6 kg
□	TWTA152WM	220–240 V 50/60 Hz AC	3 VA	1 h	250 lm	0...+35°C	3 x 2.5 mm ²	1	0.6 kg

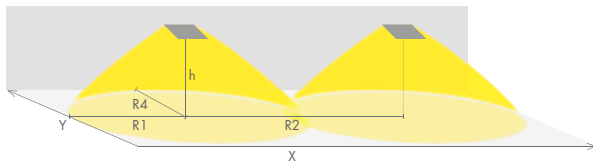
Emergency lights with 3-hour battery



Shape/colour	Product code	Nominal supply voltage	Max. input power during charging	Operation time	Luminous flux	Operating temperature	Electrical installation	Protection class	Weight
○	TWT6153WM	220–240 V 50/60 Hz AC	6 VA	3 h	250 lm	0...+35°C	3 x 2.5 mm ²	1	0.8 kg
□	TWTA153WM	220–240 V 50/60 Hz AC	6 VA	3 h	250 lm	0...+35°C	3 x 2.5 mm ²	1	0.8 kg

Slimspot II: Line Lowbay

Light distribution | Emergency lighting for escape routes (ceiling mounting)



- 1 lux table for the centre line of an escape route, in accordance with EN 1838.
 - Level of measurement 0.02 m, measurement results in emergency mode.
- R1** distance from wall, X axis
R2 mounting distance, X axis
R4 distance from wall, Y axis

TWS6192WA, TWS6192WA4, TWS6192WM, TWS6192WM4, TWSA192WA, TWSA192WA4, TWSA192WM, TWSA192WM4

Mounting height (m)	Below the light (lx)	R1 (m)	R2 (m)	R4 (m)
		1 lx	1 lx	1 lx
2.5	2.5	5	16	1
3	1.5	4.5	16.5	1

TWT6152WA, TWT6153WA, TWT6152WM, TWT6153WM, TWTA152WA, TWTA153WA, TWTA152WM, TWTA153WM

Mounting height (m)	Below the light (lx)	R1 (m)	R2 (m)	R4 (m)
		1 lx	1 lx	1 lx
2.5	7.5	9	21	1
4	3	10	28	1
6	1.5	9	22	1

Slimspot II: Line Midbay

Emergency lights with 1-hour supercapacitor and wireless remote monitoring



Shape/colour	Product code	Nominal supply voltage	Max. input power during charging	Operation time	Luminous flux	Operating temperature	Electrical installation	Protection class	Weight
○	TWS1192WA	220–240 V 50/60 Hz AC	3 VA	1 h	70 lm	–25...+35°C	3 x 2.5 mm ²	1	0.8 kg
○	TWS1192WA4	220–240 V 50/60 Hz AC	3 VA	1 h	70 lm	–25...+35°C	3 x 2.5 mm ²	1	0.8 kg
□	TWSA492WA	220–240 V 50/60 Hz AC	3 VA	1 h	70 lm	–25...+35°C	3 x 2.5 mm ²	1	0.8 kg
□	TWSA492WA4	220–240 V 50/60 Hz AC	3 VA	1 h	70 lm	–25...+35°C	3 x 2.5 mm ²	1	0.8 kg

Emergency lights with 1-hour supercapacitor



Shape/colour	Product code	Nominal supply voltage	Max. input power during charging	Operation time	Luminous flux	Operating temperature	Electrical installation	Protection class	Weight
○	TWS1192WM	220–240 V 50/60 Hz AC	3 VA	1 h	70 lm	–25...+35°C	3 x 2.5 mm ²	1	0.8 kg
○	TWS1192WM4	220–240 V 50/60 Hz AC	3 VA	1 h	70 lm	–25...+35°C	3 x 2.5 mm ²	1	0.8 kg
□	TWSA492WM	220–240 V 50/60 Hz AC	3 VA	1 h	70 lm	–25...+35°C	3 x 2.5 mm ²	1	0.8 kg
□	TWSA492WM4	220–240 V 50/60 Hz AC	3 VA	1 h	70 lm	–25...+35°C	3 x 2.5 mm ²	1	0.8 kg

Emergency lights with 1-hour battery and wireless remote monitoring



Shape/colour	Product code	Nominal supply voltage	Max. input power during charging	Operation time	Luminous flux	Operating temperature	Electrical installation	Protection class	Weight
○	TWT1152WA	220–240 V 50/60 Hz AC	3 VA	1 h	265 lm	0...+35°C	3 x 2.5 mm ²	1	0.6 kg
□	TWTA452WA	220–240 V 50/60 Hz AC	3 VA	1 h	265 lm	0...+35°C	3 x 2.5 mm ²	1	0.6 kg

Emergency lights with 3-hour battery and wireless remote monitoring



Shape/colour	Product code	Nominal supply voltage	Max. input power during charging	Operation time	Luminous flux	Operating temperature	Electrical installation	Protection class	Weight
○	TWT1153WA	220–240 V 50/60 Hz AC	6 VA	3 h	265 lm	0...+35°C	3 x 2.5 mm ²	1	0.8 kg
□	TWTA453WA	220–240 V 50/60 Hz AC	6 VA	3 h	265 lm	0...+35°C	3 x 2.5 mm ²	1	0.8 kg

Emergency lights with 1-hour battery



Shape/colour	Product code	Nominal supply voltage	Max. input power during charging	Operation time	Luminous flux	Operating temperature	Electrical installation	Protection class	Weight
○	TWT1152WM	220–240 V 50/60 Hz AC	3 VA	1 h	265 lm	0...+35°C	3 x 2.5 mm ²	1	0.6 kg
□	TWTA452WM	220–240 V 50/60 Hz AC	3 VA	1 h	265 lm	0...+35°C	3 x 2.5 mm ²	1	0.6 kg

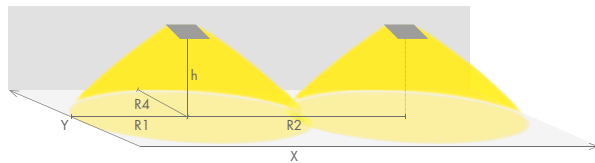
Emergency lights with 3-hour battery



Shape/colour	Product code	Nominal supply voltage	Max. input power during charging	Operation time	Luminous flux	Operating temperature	Electrical installation	Protection class	Weight
○	TWT1153WM	220–240 V 50/60 Hz AC	6 VA	3 h	265 lm	0...+35°C	3 x 2.5 mm ²	1	0.8 kg
□	TWTA453WM	220–240 V 50/60 Hz AC	6 VA	3 h	265 lm	0...+35°C	3 x 2.5 mm ²	1	0.8 kg

Slimspot II: Line Midbay

Light distribution | Emergency lighting for escape routes (ceiling mounting)



- 1 lux table for the centre line of an escape route, in accordance with EN 1838.
- Level of measurement 0.02 m, measurement results in emergency mode.

R1 distance from wall, X axis

R2 mounting distance, X axis

R4 distance from wall, Y axis

TWS1192WA, TWS1192WA4, TWS1192WM, TWS1192WM4, TWSA492WA, TWSA492WA4, TWSA492WM, TWSA492WM4







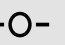



Mounting height (m)	Below the light (lx)	R1 (m)	R2 (m)	R4 (m)
		1 lx	1 lx	1 lx
2.5	11	3.5	8	1
3	8	3.5	9	1
4	4.5	4	10	1
6	2	4	11	1
8	1.1	3	11	1

TWT1152WA, TWT1153WA, TWTA452WA, TWTA453WA, TWT1152WM, TWT1153WM, TWTA452WM, TWTA453WM

Mounting height (m)	Below the light (lx)	R1 (m)	R2 (m)	R4 (m)
		1 lx	1 lx	1 lx
2.5	40	5	11	1
4	15	6.5	17	1
6	6	7.5	20	1
8	3.5	7	21	1
10	2	6.5	21	1

Linespot II: Lowbay Midbay

Self-contained emergency light for escape routes

 LED	 IP 20	 IP 44
 RAL 9003	 RAL 9005	 OTHER RAL COLOURS BY ORDER
 -O-	 CE	 EN 60598-2-22
		

Emergency light for escape routes, suitable for surface or recess mounting

The Teknoware Linespot II Lowbay and Midbay emergency lights provide a long and narrow light pattern that lights escape routes efficiently. Efficient optics enable mounting distances of up to 28 metres. The Linespot II is available in two models: square for surface mounting and round for recess mounting.

The square surface-mounted model has IP44 rating, making it splash-resistant. Thanks to its compact size, the round recess-mounted model blends seamlessly into the architecture of the space. The visible parts of the recess-mounted model are also splash-resistant when equipped with an IP44-rated additional gasket. The aperture for recess mounting is 75 mm.

The standard colour of the recess-mounted model is white (RAL 9003). The surface-mounted model is also available in black (RAL 9005). Other RAL colours are available upon special order.

The product is available with an Escap supercapacitor or battery and with wireless AaltoCtrl remote monitoring.



For escape routes

A long and narrow light pattern that lights escape routes efficiently.

Mounting determines the shape

The square model is always surface-mounted and the round model is recess-mounted.

Long mounting distances

Up to 28 metres spacing between luminaires.

Mounting height

up to 10 metres.

Splash-resistant

The IP rating of the surface-mounted emergency light is IP44. The visible parts of the recess mounted model are also IP44-rated when equipped with an additional gasket (TMT389).



HIGHLIGHTS



MOUNTING
DISTANCE



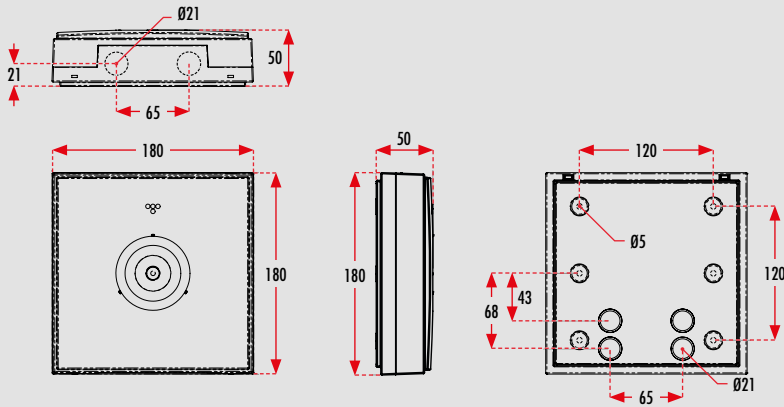
MOUNTING
HEIGHT



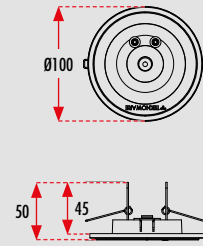
SPLASH-RESISTANT *

Dimensions [mm]

Linespot II | Surface-mounted luminaire

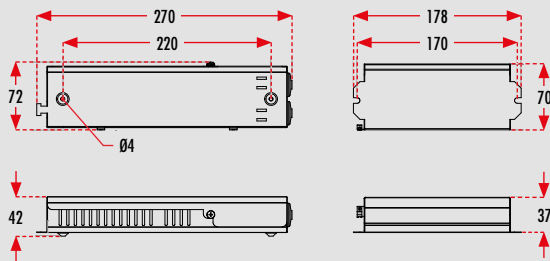


Linespot II | Recess-mounted luminaire *

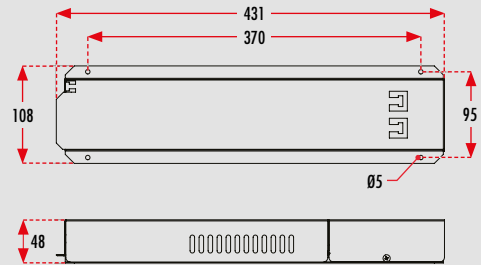


* Aperture \varnothing 75 mm. Mounted with springs that are part of the product.

TWS1492Wx | Electronics unit

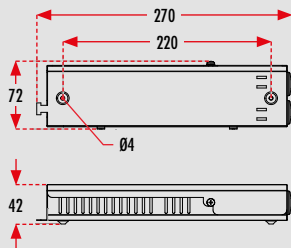


TWS1492Wx4 | Electronics unit **



** Does not fit through 75 mm aperture.

TWTxx52Wx/53Wx | Electronics unit



Product information on page 316

Linespot II: Lowbay

Emergency lights with 1-hour supercapacitor and wireless remote monitoring



Shape/colour	Mounting	Product code	Nominal supply voltage	Max. input power during charging	Operation time	Luminous flux	Operating temperature	Electrical installation	Protection class	Weight
○	Recess	TWS1492WA	220–240 V 50/60 Hz AC	3 VA	1 h	75 lm	–25...+35°C	3 x 2.5 mm ²	1	0.8 kg
○	Recess	TWS1492WA4	220–240 V 50/60 Hz AC	3 VA	1 h	75 lm	–25...+35°C	3 x 2.5 mm ²	1	0.8 kg
□	Surface	TWS9992WA	220–240 V 50/60 Hz AC	3 VA	1 h	75 lm	–25...+35°C	2/3 x 2.5 mm ²	2	0.9 kg
■	Surface	TWS9992WAT	220–240 V 50/60 Hz AC	3 VA	1 h	75 lm	–25...+35°C	2/3 x 2.5 mm ²	2	0.9 kg

Emergency lights with 1-hour supercapacitor



Shape/colour	Mounting	Product code	Nominal supply voltage	Max. input power during charging	Operation time	Luminous flux	Operating temperature	Electrical installation	Protection class	Weight
○	Recess	TWS1492WM	220–240 V 50/60 Hz AC	3 VA	1 h	75 lm	–25...+35°C	3 x 2.5 mm ²	1	0.8 kg
○	Recess	TWS1492WM4	220–240 V 50/60 Hz AC	3 VA	1 h	75 lm	–25...+35°C	3 x 2.5 mm ²	1	0.8 kg
□	Surface	TWS9992WM	220–240 V 50/60 Hz AC	3 VA	1 h	75 lm	–25...+35°C	2/3 x 2.5 mm ²	2	0.9 kg
■	Surface	TWS9992WMT	220–240 V 50/60 Hz AC	3 VA	1 h	75 lm	–25...+35°C	2/3 x 2.5 mm ²	2	0.9 kg

Emergency lights with 1-hour battery and wireless remote monitoring



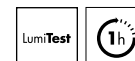
Shape/colour	Mounting	Product code	Nominal supply voltage	Max. input power during charging	Operation time	Luminous flux	Operating temperature	Electrical installation	Protection class	Weight
○	Recess	TWT1452WA	220–240 V 50/60 Hz AC	3 VA	1 h	250 lm	0...+35°C	3 x 2.5 mm ²	1	0.6 kg
□	Surface	TWT9952WA	220–240 V 50/60 Hz AC	3 VA	1 h	230 lm	0...+35°C	2/3 x 2.5 mm ²	2	0.7 kg
■	Surface	TWT9952WAT	220–240 V 50/60 Hz AC	3 VA	1 h	230 lm	0...+35°C	2/3 x 2.5 mm ²	2	0.7 kg

Emergency lights with 3-hour battery and wireless remote monitoring



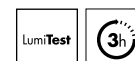
Shape/colour	Mounting	Product code	Nominal supply voltage	Max. input power during charging	Operation time	Luminous flux	Operating temperature	Electrical installation	Protection class	Weight
○	Recess	TWT1453WA	220–240 V 50/60 Hz AC	6 VA	3 h	250 lm	0...+35°C	3 x 2.5 mm ²	1	0.8 kg
□	Surface	TWT9953WA	220–240 V 50/60 Hz AC	6 VA	3 h	230 lm	0...+35°C	2/3 x 2.5 mm ²	2	0.9 kg
■	Surface	TWT9953WAT	220–240 V 50/60 Hz AC	6 VA	3 h	230 lm	0...+35°C	2/3 x 2.5 mm ²	2	0.9 kg

Emergency lights with 1-hour battery



Shape/colour	Mounting	Product code	Nominal supply voltage	Max. input power during charging	Operation time	Luminous flux	Operating temperature	Electrical installation	Protection class	Weight
○	Recess	TWT1452WM	220–240 V 50/60 Hz AC	3 VA	1 h	250 lm	0...+35°C	3 x 2.5 mm ²	1	0.6 kg
□	Surface	TWT9952WM	220–240 V 50/60 Hz AC	3 VA	1 h	230 lm	0...+35°C	2/3 x 2.5 mm ²	2	0.7 kg
■	Surface	TWT9952WMT	220–240 V 50/60 Hz AC	3 VA	1 h	230 lm	0...+35°C	2/3 x 2.5 mm ²	2	0.7 kg

Emergency lights with 3-hour battery



Shape/colour	Mounting	Product code	Nominal supply voltage	Max. input power during charging	Operation time	Luminous flux	Operating temperature	Electrical installation	Protection class	Weight
○	Recess	TWT1453WM	220–240 V 50/60 Hz AC	6 VA	3 h	250 lm	0...+35°C	3 x 2.5 mm ²	1	0.8 kg
□	Surface	TWT9953WM	220–240 V 50/60 Hz AC	6 VA	3 h	230 lm	0...+35°C	2/3 x 2.5 mm ²	2	0.9 kg
■	Surface	TWT9953WMT	220–240 V 50/60 Hz AC	6 VA	3 h	230 lm	0...+35°C	2/3 x 2.5 mm ²	2	0.9 kg

Linespot II: Lowbay

Individually packed emergency lights with 1-hour supercapacitor and wireless remote monitoring

Shape/colour	Mounting	Product code	Luminaire
○	Recess	Y1492WA	TWS1492WA
□	Surface	Y9992WA	TWS9992WA

Individually packed emergency lights with 1-hour supercapacitor

Shape/colour	Mounting	Product code	Luminaire
○	Recess	Y1492WM	TWS1492WM
□	Surface	Y9992WM	TWS9992WM

Individually packed emergency lights with 1-hour battery and wireless remote monitoring

Shape/colour	Mounting	Product code	Luminaire
○	Recess	Y1452WA	TWT1452WA
□	Surface	Y9952WA	TWT9952WA

Individually packed emergency lights with 3-hour battery and wireless remote monitoring

Shape/colour	Mounting	Product code	Luminaire
○	Recess	Y1453WA	TWT1453WA
□	Surface	Y9953WA	TWT9953WA

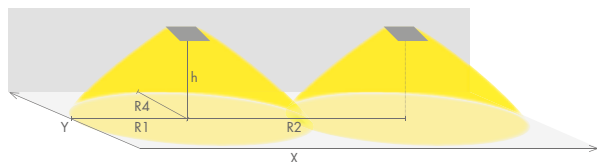
Individually packed emergency lights with 1-hour battery

Shape/colour	Mounting	Product code	Luminaire
○	Recess	Y1452WM	TWT1452WM
□	Surface	Y9952WM	TWT9952WM

Individually packed emergency lights with 3-hour battery

Shape/colour	Mounting	Product code	Luminaire
○	Recess	Y1453WM	TWT1453WM
□	Surface	Y9953WM	TWT9953WM

Light distribution | Emergency lighting for escape routes (ceiling mounting)



- 1 lux table for the centre line of an escape route, in accordance with EN 1838.
- Level of measurement 0.02 m, measurement results in emergency mode.

R1 distance from wall, X axis

R2 mounting distance, X axis

R4 distance from wall, Y axis

TWS1492WA, TWS1492WA4, TWS9992WA(T), TWS1492WM, TWS1492WM4, TWS9992WM(T)

Mounting height (m)	Below the light (lx)	R1 (m)	R2 (m)	R4 (m)
		1 lx	1 lx	1 lx
2.5	2.5	5	16	1
3	1.5	4.5	16.5	1

TWT9953WM(T), TWT1453WM, TWT9952WM(T), TWT1452WM, TWT9953WA(T), TWT1453WA, TWT9952WA(T), TWT1452WA

Mounting height (m)	Below the light (lx)	R1 (m)	R2 (m)	R4 (m)
		1 lx	1 lx	1 lx
2.5	7.5	9	21	1
4	3	10	28	1
6	1.5	9	22	1

Linespot II: Midbay

Emergency lights with 1-hour supercapacitor and wireless remote monitoring



Shape/colour	Mounting	Product code	Nominal supply voltage	Max. input power during charging	Operation time	Luminous flux	Operating temperature	Electrical installation	Protection class	Weight
□	Surface	TWS8892WA	220–240 V 50/60 Hz AC	3 VA	1 h	80 lm	–25...+35°C	2/3 x 2.5 mm ²	2	0.9 kg
■	Surface	TWS8892WAT	220–240 V 50/60 Hz AC	3 VA	1 h	80 lm	–25...+35°C	2/3 x 2.5 mm ²	2	0.9 kg

Emergency lights with 1-hour supercapacitor



Shape/colour	Mounting	Product code	Nominal supply voltage	Max. input power during charging	Operation time	Luminous flux	Operating temperature	Electrical installation	Protection class	Weight
□	Surface	TWS8892WM	220–240 V 50/60 Hz AC	3 VA	1 h	80 lm	–25...+35°C	2/3 x 2.5 mm ²	2	0.9 kg
■	Surface	TWS8892WMT	220–240 V 50/60 Hz AC	3 VA	1 h	80 lm	–25...+35°C	2/3 x 2.5 mm ²	2	0.9 kg

Emergency lights with 1-hour battery and wireless remote monitoring



Shape/colour	Mounting	Product code	Nominal supply voltage	Max. input power during charging	Operation time	Luminous flux	Operating temperature	Electrical installation	Protection class	Weight
□	Surface	TWT8852WA	220–240 V 50/60 Hz AC	3 VA	1 h	240 lm	0...+35°C	2/3 x 2.5 mm ²	2	0.7 kg
■	Surface	TWT8852WAT	220–240 V 50/60 Hz AC	3 VA	1 h	240 lm	0...+35°C	2/3 x 2.5 mm ²	2	0.7 kg

Emergency lights with 3-hour battery and wireless remote monitoring



Shape/colour	Mounting	Product code	Nominal supply voltage	Max. input power during charging	Operation time	Luminous flux	Operating temperature	Electrical installation	Protection class	Weight
□	Surface	TWT8853WA	220–240 V 50/60 Hz AC	6 VA	3 h	240 lm	0...+35°C	2/3 x 2.5 mm ²	2	0.9 kg
■	Surface	TWT8853WAT	220–240 V 50/60 Hz AC	6 VA	3 h	240 lm	0...+35°C	2/3 x 2.5 mm ²	2	0.9 kg

Emergency lights with 1-hour battery



Shape/colour	Mounting	Product code	Nominal supply voltage	Max. input power during charging	Operation time	Luminous flux	Operating temperature	Electrical installation	Protection class	Weight
□	Surface	TWT8852WM	220–240 V 50/60 Hz AC	3 VA	1 h	240 lm	0...+35°C	2/3 x 2.5 mm ²	2	0.7 kg
■	Surface	TWT8852WMT	220–240 V 50/60 Hz AC	3 VA	1 h	240 lm	0...+35°C	2/3 x 2.5 mm ²	2	0.7 kg

Emergency lights with 3-hour battery



Shape/colour	Mounting	Product code	Nominal supply voltage	Max. input power during charging	Operation time	Luminous flux	Operating temperature	Electrical installation	Protection class	Weight
□	Surface	TWT8853WM	220–240 V 50/60 Hz AC	6 VA	3 h	240 lm	0...+35°C	2/3 x 2.5 mm ²	2	0.9 kg
■	Surface	TWT8853WMT	220–240 V 50/60 Hz AC	6 VA	3 h	240 lm	0...+35°C	2/3 x 2.5 mm ²	2	0.9 kg

Individually packed emergency lights with 1-hour supercapacitor and wireless remote monitoring

Shape/colour	Mounting	Product code	Luminaire
□	Surface	Y8892WA	TWS8892WA

Individually packed emergency lights with 1-hour supercapacitor

Shape/colour	Mounting	Product code	Luminaire
□	Surface	Y8892WM	TWS8892WM

Linespot II: Midbay

Individually packed emergency lights with 1-hour battery and wireless remote monitoring

Shape/colour	Mounting	Product code	Luminaire
<input type="checkbox"/>	Surface	Y8852WA	TWT8852WA

Individually packed emergency lights with 3-hour battery and wireless remote monitoring

Shape/colour	Mounting	Product code	Luminaire
<input type="checkbox"/>	Surface	Y8853WA	TWT8853WA

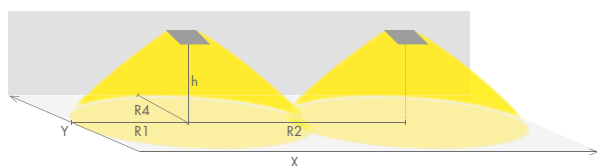
Individually packed emergency lights with 1-hour battery

Shape/colour	Mounting	Product code	Luminaire
<input type="checkbox"/>	Surface	Y8852WM	TWT8852WM

Individually packed emergency lights with 3-hour battery

Shape/colour	Mounting	Product code	Luminaire
<input type="checkbox"/>	Surface	Y8853WM	TWT8853WM

Light distribution | Emergency lighting for escape routes (ceiling mounting)



- 1 lux table for the centre line of an escape route, in accordance with EN 1838.
- Level of measurement 0.02 m, measurement results in emergency mode.

R1 distance from wall, X axis

R2 mounting distance, X axis

R4 distance from wall, Y axis

TWS8892WA(T), TWS8892WM(T)

Mounting height (m)	Below the light (lx)	R1 (m)	R2 (m)	R4 (m)
		1 lx	1 lx	1 lx
2.5	11	3.5	8	1
3	8	3.5	9	1
4	4.5	4	10	1
6	2	4	11	1
8	1.1	3	11	1

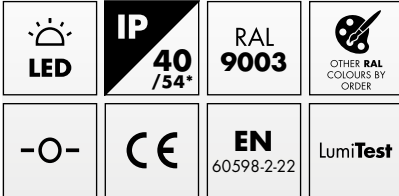
TWT8852WA(T), TWT8853WA(T), TWT8852WM(T), TWT8853WM(T)

Mounting height (m)	Below the light (lx)	R1 (m)	R2 (m)	R4 (m)
		1 lx	1 lx	1 lx
2.5	40	5	11	1
4	15	6.5	17	1
6	6	7.5	20	1
8	3.5	7	21	1
10	2	6.5	21	1



Easy: Line Lowbay

Self-contained emergency
light for escape routes

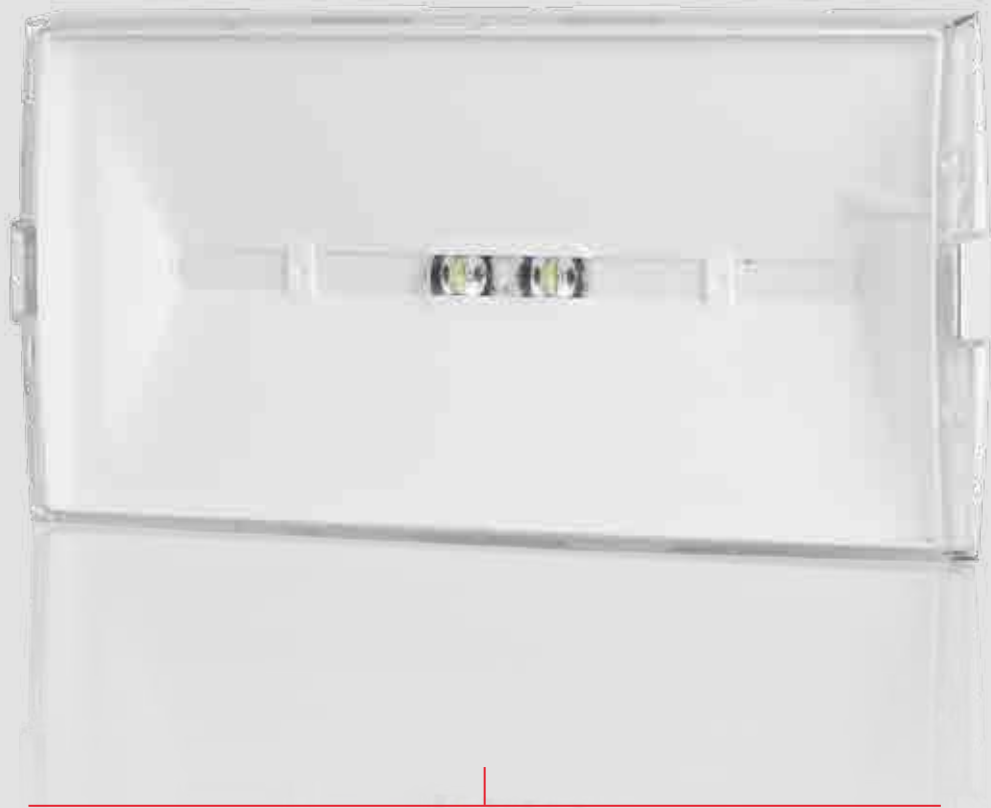


Surface-or recess-mounted emergency light

The Teknoware Easy Line Lowbay provides a long and narrow light pattern that illuminates escape routes efficiently. Thanks to its practical design, the Easy Line Lowbay can be easily surface or recess mounted. It can also be suspension mounted on the ceiling with a separate bracket.

The luminaires in the Easy product family are all built in the same frame. The Easy product family is an ideal choice when you want a single lighting design for your entire property's emergency lighting needs. The standard colour is white (RAL 9003), other RAL colours are available upon special order.

Easy Line Lowbay is available with a battery and wireless AaltoCtrl remote monitoring.

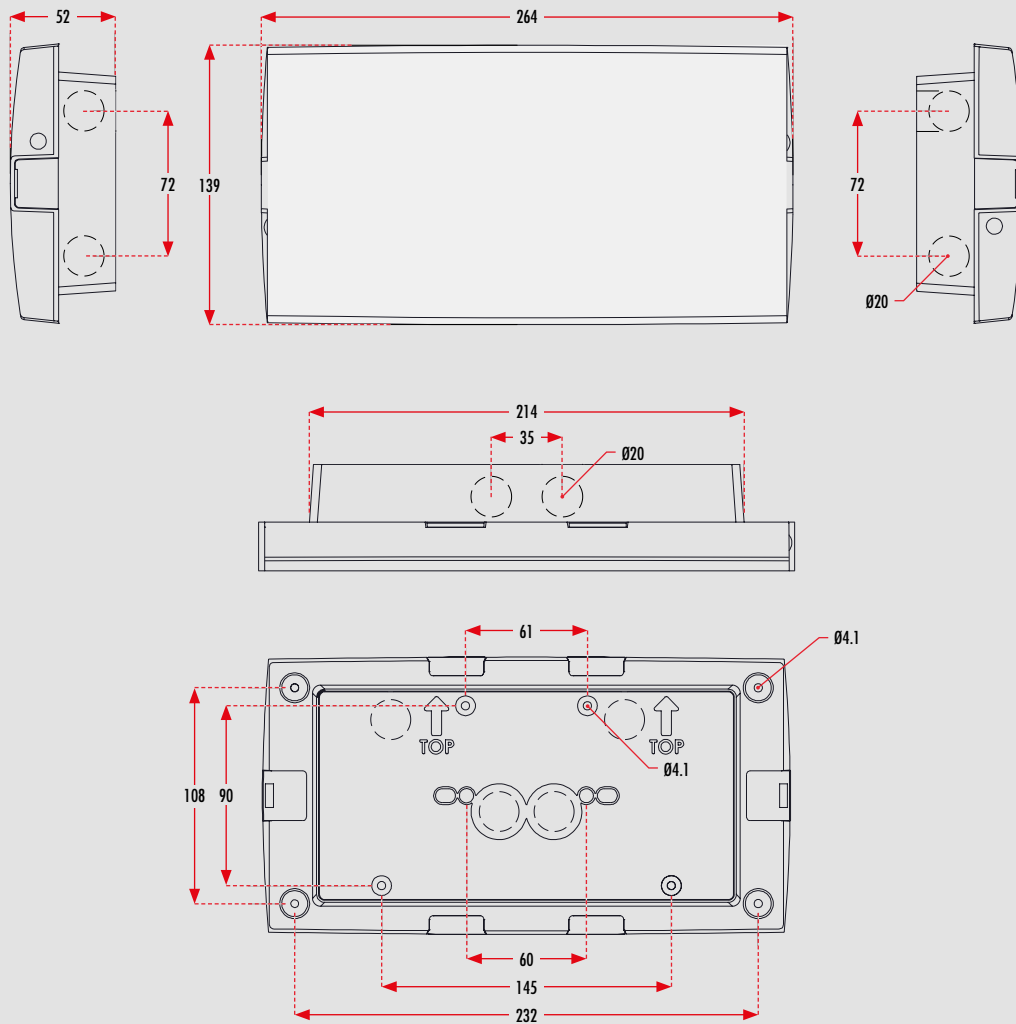


- **For escape routes**
A long and narrow light pattern that lights escape routes efficiently.
- **Dustproof and waterproof**
The frame is made from strong plastic, and the luminaire is IP40 rated (* IP54 with a separate gasket).
- **Mounting height**
up to 4 metres.
- **Versatile mounting options**
Surface or recess mounting as standard.



Dimensions [mm]

Easy | Luminaire



Emergency lights with 1-hour battery and wireless remote monitoring



Product code	Nominal supply voltage	Max. input power during charging	Operation time	Luminous flux	Operating temperature	Electrical installation	Protection class	Weight
TWTB252WA	220–240 V 50/60 Hz AC	8 VA	1 h	170 lm	0...+35°C	2/3 x 2.5 mm ²	2	0.45 kg

Emergency lights with 3-hour battery and wireless remote monitoring



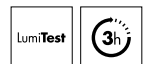
Product code	Nominal supply voltage	Max. input power during charging	Operation time	Luminous flux	Operating temperature	Electrical installation	Protection class	Weight
TWTB253WA	220–240 V 50/60 Hz AC	8 VA	3 h	170 lm	0...+35°C	2/3 x 2.5 mm ²	2	0.45 kg

Emergency lights with 1-hour battery



Product code	Nominal supply voltage	Max. input power during charging	Operation time	Luminous flux	Operating temperature	Electrical installation	Protection class	Weight
TWTB252WM	220–240 V 50/60 Hz AC	8 VA	1 h	170 lm	0...+35°C	2/3 x 2.5 mm ²	2	0.45 kg

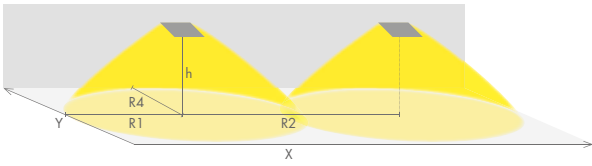
Emergency lights with 3-hour battery



Product code	Nominal supply voltage	Max. input power during charging	Operation time	Luminous flux	Operating temperature	Electrical installation	Protection class	Weight
TWTB253WM	220–240 V 50/60 Hz AC	8 VA	3 h	170 lm	0...+35°C	2/3 x 2.5 mm ²	2	0.45 kg

Easy: Line Lowbay

Light distribution | Emergency lighting for escape routes (ceiling mounting)



- 1 lux table for the centre line of an escape route, in accordance with EN 1838.
 - Level of measurement 0.02 m, measurement results in emergency mode.
- R1** distance from wall, X axis
R2 mounting distance, X axis
R4 distance from wall, Y axis

TWTB252WM, TWTB253WM, TWTB252WA, TWTB253WA

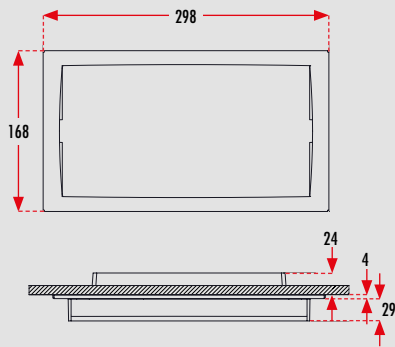
Mounting height (m)	Below the light (lx)	R1 (m)	R2 (m)	R4 (m)
		1 lx	1 lx	1 lx
2.5	6.5	7	17	1
3	4.5	8	19	1
4	2.5	8	23	1

Accessories

Product code	Product description
TWTB101	Recess mounting frame
TWTB105	Suspension bracket
TW77508B	Shock protecting cover
TWTB110	IP54 gasket

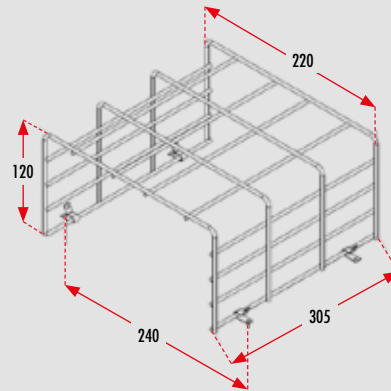
Dimensions [mm]

TWTB101 | Recess mounting frame

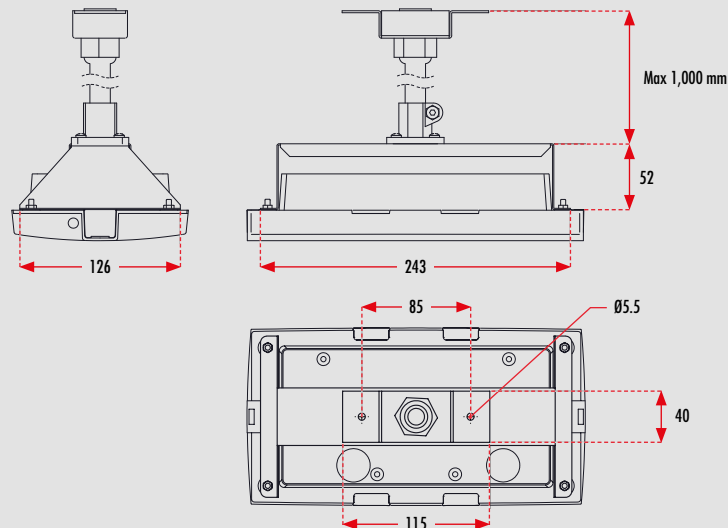


* Aperture for recess mounting 215 mm x 111 mm.

TW77508B | Shock protecting cover



TWTB105 | Suspension bracket













Solid: Line Lowbay Line Midbay

Self-contained emergency light for escape routes

Durable emergency light for industrial sites and parking halls

The Teknoware Solid is a fully dustproof and water-resistant IP65-rated emergency light. It is suitable for demanding conditions, such as industrial facilities and parking halls, and for outdoor use. The Solid Line Lowbay and Line Midbay emergency lights provide a long and narrow light pattern that lights escape routes efficiently.

The standard colour is white (RAL 9003), other RAL colours are available upon special order. The product is available with an Escap supercapacitor or battery and wireless AaltoCtrl remote monitoring.

 LED	 IP 65	 RAL 9003	 <small>OTHER RAL COLOURS BY ORDER</small>
 -O-	 CE	 EN 60598-2-22	 LumiTest



- **For escape routes**
A long and narrow light pattern that illuminates escape routes efficiently.
- **Dustproof and water-resistant**
IP 65.
- **Mounting height**
up to 12 metres.
- **For demanding conditions**
Industrial facilities, parking halls and outdoor use.



HIGHLIGHTS



**DEMANDING
CONDITIONS**



**INDOOR AND
OUTDOOR USE**



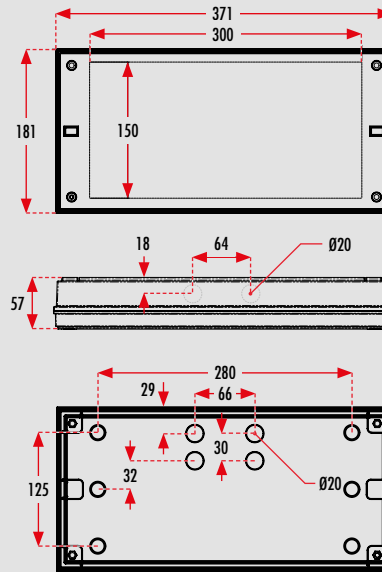
**WIDE RANGE OF
OPTICS**



**DUSTPROOF AND
WATER-RESISTANT**

Dimensions [mm]

Solid | Luminaire



Solid: Line Lowbay

Emergency lights with 1-hour supercapacitor and wireless remote monitoring



Product code	Nominal supply voltage	Max. input power during charging	Operation time	Luminous flux	Operating temperature	Electrical installation	Protection class	Weight
TWS4292WA	220–240 V 50/60 Hz AC	3 VA	1 h	90 lm	–25...+35°C	2/3 x 2.5 mm ²	2	1.5 kg

Emergency lights with 1-hour supercapacitor



Product code	Nominal supply voltage	Max. input power during charging	Operation time	Luminous flux	Operating temperature	Electrical installation	Protection class	Weight
TWS4292WM	220–240 V 50/60 Hz AC	3 VA	1 h	90 lm	–25...+35°C	2/3 x 2.5 mm ²	2	1.5 kg

Emergency lights with 1-hour battery and wireless remote monitoring



Product code	Nominal supply voltage	Max. input power during charging	Operation time	Luminous flux	Operating temperature	Electrical installation	Protection class	Weight
TWT4252WA	220–240 V 50/60 Hz AC	2.6 VA	1 h	280 lm	0...+35°C	2/3 x 2.5 mm ²	2	1.5 kg

Emergency lights with 3-hour battery and wireless remote monitoring



Product code	Nominal supply voltage	Max. input power during charging	Operation time	Luminous flux	Operating temperature	Electrical installation	Protection class	Weight
TWT4253WA	220–240 V 50/60 Hz AC	3.5 VA	3 h	280 lm	0...+35°C	2/3 x 2.5 mm ²	2	1.5 kg

Emergency lights with 1-hour battery



Product code	Nominal supply voltage	Max. input power during charging	Operation time	Luminous flux	Operating temperature	Electrical installation	Protection class	Weight
TWT4252WM	220–240 V 50/60 Hz AC	2.1 VA	1 h	280 lm	0...+35°C	2/3 x 2.5 mm ²	2	1.5 kg

Emergency lights with 3-hour battery



Product code	Nominal supply voltage	Max. input power during charging	Operation time	Luminous flux	Operating temperature	Electrical installation	Protection class	Weight
TWT4253WM	220–240 V 50/60 Hz AC	3.3 VA	3 h	280 lm	0...+35°C	2/3 x 2.5 mm ²	2	1.5 kg

Solid: Line Lowbay

Individually packed emergency lights with 1-hour supercapacitor and wireless remote monitoring

Product code	Luminaire
Y4292WA	TWS4292WA

Individually packed emergency lights with 1-hour supercapacitor

Product code	Luminaire
Y4292WM	TWS4292WM

Individually packed emergency lights with 1-hour battery and wireless remote monitoring

Product code	Luminaire
Y4252WA	TWT4252WA

Individually packed emergency lights with 1-hour battery

Product code	Luminaire
Y4252WM	TWT4252WM

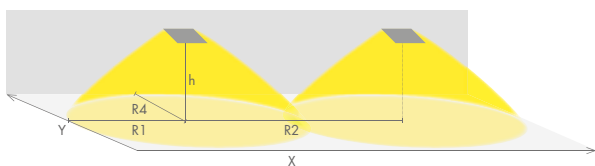
Individually packed emergency lights with 3-hour battery and wireless remote monitoring

Product code	Luminaire
Y4253WA	TWT4253WA

Individually packed emergency lights with 3-hour battery

Product code	Luminaire
Y4253WM	TWT4253WM

Light distribution | Emergency lighting for escape routes (ceiling mounting)



- 1 lux table for the centre line of an escape route, in accordance with EN 1838.
- Level of measurement 0.02 m, measurement results in emergency mode.

R1 distance from wall, X axis

R2 mounting distance, X axis

R4 distance from wall, Y axis

TWS4292WA, TWS4292WM

Mounting height (m)	Below the light (lx)	R1 (m)	R2 (m)	R4 (m)
		1 lx	1 lx	1 lx
2.5	2.5	7	16	1
3	1.5	8	18	1

TWT4252WA, TWT4253WA, TWT4252WM, TWT4253WM

Mounting height (m)	Below the light (lx)	R1 (m)	R2 (m)	R4 (m)
		1 lx	1 lx	1 lx
2.5	10	8	19	1
3	6.5	9	22	1
4	3.5	11	27	1

Solid: Line Midbay

Emergency lights with 1-hour supercapacitor and wireless remote monitoring



Product code	Nominal supply voltage	Max. input power during charging	Operation time	Luminous flux	Operating temperature	Electrical installation	Protection class	Weight
TWS4392WA	220–240 V 50/60 Hz AC	3 VA	1 h	92 lm	–25...+35°C	2/3 x 2.5 mm ²	2	1.5 kg

Emergency lights with 1-hour supercapacitor



Product code	Nominal supply voltage	Max. input power during charging	Operation time	Luminous flux	Operating temperature	Electrical installation	Protection class	Weight
TWS4392WM	220–240 V 50/60 Hz AC	3 VA	1 h	92 lm	–25...+35°C	2/3 x 2.5 mm ²	2	1.5 kg

Emergency lights with 1-hour battery and wireless remote monitoring



Product code	Nominal supply voltage	Max. input power during charging	Operation time	Luminous flux	Operating temperature	Electrical installation	Protection class	Weight
TWT4352WA	220–240 V 50/60 Hz AC	2.6 VA	1 h	300 lm	0...+35°C	2/3 x 2.5 mm ²	2	1.5 kg

Emergency lights with 3-hour battery and wireless remote monitoring



Product code	Nominal supply voltage	Max. input power during charging	Operation time	Luminous flux	Operating temperature	Electrical installation	Protection class	Weight
TWT4353WA	220–240 V 50/60 Hz AC	3.5 VA	3 h	300 lm	0...+35°C	2/3 x 2.5 mm ²	2	1.5 kg

Emergency lights with 1-hour battery



Product code	Nominal supply voltage	Max. input power during charging	Operation time	Luminous flux	Operating temperature	Electrical installation	Protection class	Weight
TWT4352WM	220–240 V 50/60 Hz AC	2.1 VA	1 h	300 lm	0...+35°C	2/3 x 2.5 mm ²	2	1.5 kg

Emergency lights with 3-hour battery



Product code	Nominal supply voltage	Max. input power during charging	Operation time	Luminous flux	Operating temperature	Electrical installation	Protection class	Weight
TWT4353WM	220–240 V 50/60 Hz AC	3.3 VA	3 h	300 lm	0...+35°C	2/3 x 2.5 mm ²	2	1.5 kg

Individually packed emergency lights with 1-hour supercapacitor and wireless remote monitoring

Product code	Luminaire
Y4392WA	TWS4392WA

Individually packed emergency lights with 1-hour supercapacitor

Product code	Luminaire
Y4392WM	TWS4392WM

Individually packed emergency lights with 1-hour battery and wireless remote monitoring

Product code	Luminaire
Y4352WA	TWT4352WA

Individually packed emergency lights with 3-hour battery and wireless remote monitoring

Product code	Luminaire
Y4353WA	TWT4353WA

Solid: Line Midbay

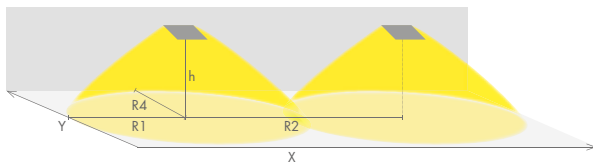
Individually packed emergency lights with 1-hour battery

Product code	Luminaire
Y4352WM	TWT4352WM

Individually packed emergency lights with 3-hour battery

Product code	Luminaire
Y4353WM	TWT4353WM

Light distribution | Emergency lighting for escape routes (ceiling mounting)



- 1 lux table for the centre line of an escape route, in accordance with EN 1838.
- Level of measurement 0.02 m, measurement results in emergency mode.

R1 distance from wall, X axis

R2 mounting distance, X axis

R4 distance from wall, Y axis

TWS4392WA, TWS4392WM

Mounting height (m)	Below the light (lx)	R1 (m)	R2 (m)	R4 (m)
		1 lx	1 lx	1 lx
2.5	17	3.5	9	1
3	12	4	10	1
4	6.5	4	11	1
6	2.5	5	12	1
8	1.5	4	12	1

TWT4352WA, TWT4353WA, TWT4352WM, TWT4353WM

Mounting height (m)	Below the light (lx)	R1 (m)	R2 (m)	R4 (m)
		1 lx	1 lx	1 lx
2.5	57	5	12	1
3	39	5.5	14	1
4	22	6	16	1
6	9.5	7	20	1
8	5	8	20	1
10	3	9	21	1
12	2.5	9	21	1

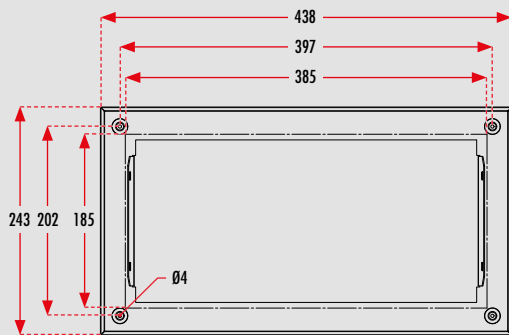
Solid

Accessories

Product code	Product description
TWT3001	Recess mounting frame
TWT3002	Wall bracket
TWT3006	Suspension bracket
TWT3007	Protective cover

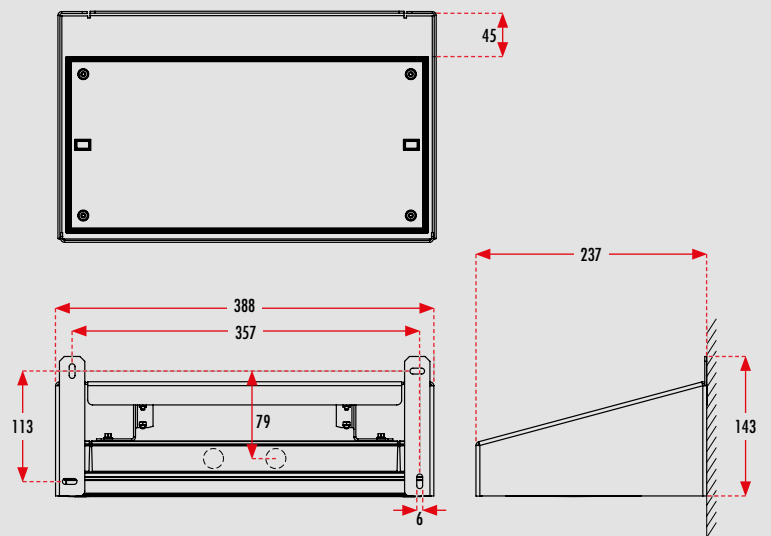
Dimensions [mm]

TWT3001 | Recess mounting frame

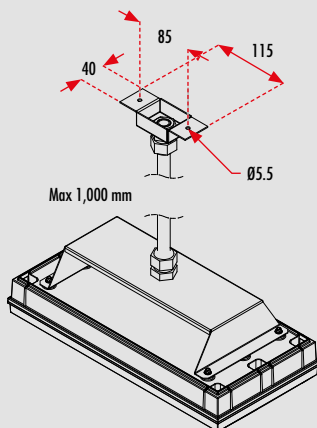


* Aperture for recess mounting 185 mm x 385 mm.

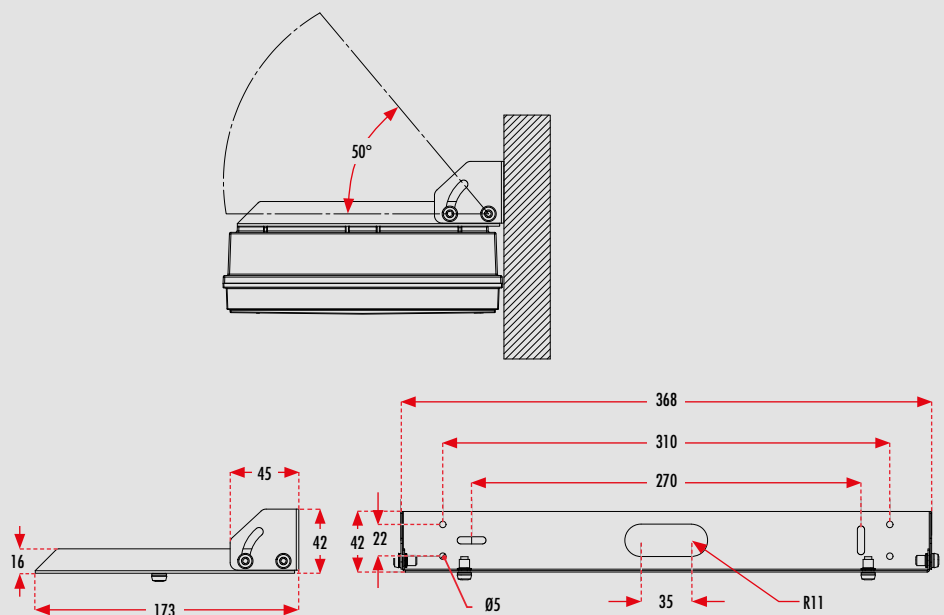
TWT3007 | Protective cover



TWT3006 | Suspension bracket

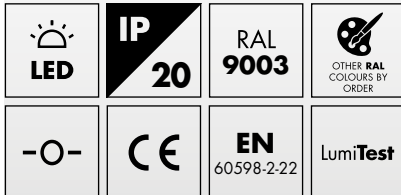


TWT3002 | Wall bracket



Trail: Line Lowbay Line Midbay

Self-contained emergency
light for escape routes



A streamlined emergency light that is easy to mount on a track

The Teknoware Trail is an emergency light that can be mounted on a lighting track and is Global Trac compatible with a separate adapter. The body is made of metal, and it can also be mounted on the ceiling without a lighting track. The streamlined emergency light blends well into its surroundings and the architecture.

The Trail Line Lowbay and Line Midbay emergency lights provide a long and narrow light pattern that illuminates escape routes efficiently. The versatile Trail product family has plenty of options for different applications and systems. The standard colour is white (RAL 9003), other RAL colours are available upon special order.

The product is available with an Escap supercapacitor or battery and wireless AaltoCtrl remote monitoring.



- **For escape routes**
A long and narrow light pattern that illuminates escape routes efficiently.
- **Easy to install**
Surface mounting on a lighting track or ceiling as default. Mounting on Global Trac with an accessory.
- **Mounting height**
up to 10 metres.



HIGHLIGHTS



OPTIMISED FOR TRACK
MOUNTING



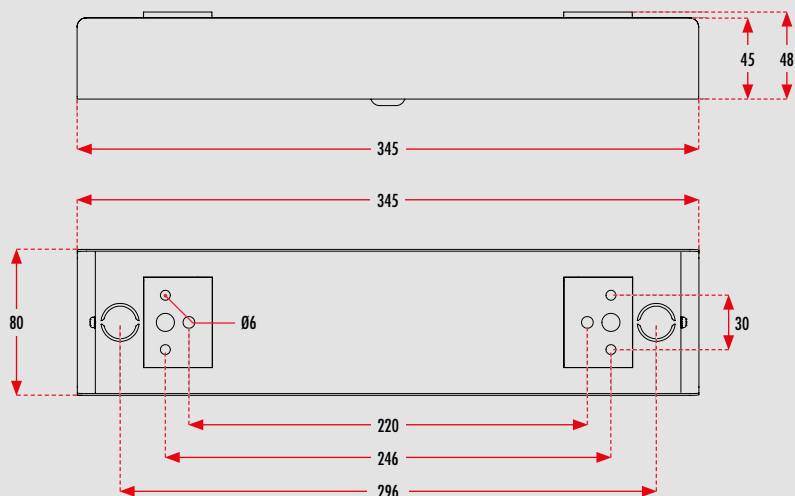
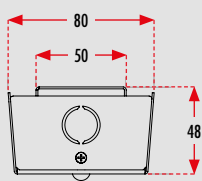
VERSATILE OPTICS



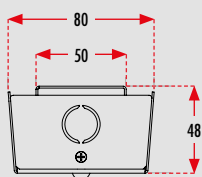
METAL BODY

Dimensions [mm]

Trail | TWTCxxx



Trail | TWSCxxx



Product information on page 334

Trail: Line Lowbay

Emergency lights with 1-hour supercapacitor and wireless remote monitoring



Product code	Nominal supply voltage	Max. input power during charging	Operation time	Luminous flux	Operating temperature	Electrical installation	Protection class	Weight
TWSC192WA	220–240 V 50/60 Hz AC	3 VA	1 h	75 lm	–25...+35°C	3 x 2.5 mm ²	1	1.6 kg

Emergency lights with 1-hour supercapacitor



Product code	Nominal supply voltage	Max. input power during charging	Operation time	Luminous flux	Operating temperature	Electrical installation	Protection class	Weight
TWSC192WM	220–240 V 50/60 Hz AC	3 VA	1 h	75 lm	–25...+35°C	3 x 2.5 mm ²	1	1.6 kg

Emergency lights with 1-hour battery and wireless remote monitoring



Product code	Nominal supply voltage	Max. input power during charging	Operation time	Luminous flux	Operating temperature	Electrical installation	Protection class	Weight
TWTC152WA	220–240 V 50/60 Hz AC	3 VA	1 h	230 lm	0...+35°C	3 x 2.5 mm ²	1	1.1 kg

Emergency lights with 3-hour battery and wireless remote monitoring



Product code	Nominal supply voltage	Max. input power during charging	Operation time	Luminous flux	Operating temperature	Electrical installation	Protection class	Weight
TWTC153WA	220–240 V 50/60 Hz AC	6 VA	3 h	230 lm	0...+35°C	3 x 2.5 mm ²	1	1.3 kg

Emergency lights with 1-hour battery



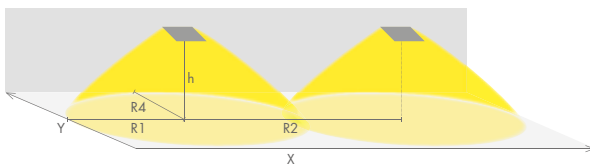
Product code	Nominal supply voltage	Max. input power during charging	Operation time	Luminous flux	Operating temperature	Electrical installation	Protection class	Weight
TWTC152WM	220–240 V 50/60 Hz AC	3 VA	1 h	230 lm	0...+35°C	3 x 2.5 mm ²	1	1.1 kg

Emergency lights with 3-hour battery



Product code	Nominal supply voltage	Max. input power during charging	Operation time	Luminous flux	Operating temperature	Electrical installation	Protection class	Weight
TWTC153WM	220–240 V 50/60 Hz AC	6 VA	3 h	230 lm	0...+35°C	3 x 2.5 mm ²	1	1.3 kg

Light distribution | Emergency lighting for escape routes (ceiling mounting)



- 1 lux table for the centre line of an escape route, in accordance with EN 1838.
- Level of measurement 0.02 m, measurement results in emergency mode.

R1 distance from wall, X axis

R2 mounting distance, X axis

R4 distance from wall, Y axis

TWSC192WM, TWSC192WA

Mounting height (m)	Below the light (lx)	R1 (m)	R2 (m)	R4 (m)
		1 lx	1 lx	1 lx
2.5	2.5	5	16	1
3	1.5	4.5	16.5	1

TWTC152WM, TWTC153WM, TWTC152WA, TWTC153WA

Mounting height (m)	Below the light (lx)	R1 (m)	R2 (m)	R4 (m)
		1 lx	1 lx	1 lx
2.5	7.5	9	21	1
4	3	10	28	1
6	1.5	9	22	1

Trail: Line Midbay

Emergency lights with 1-hour supercapacitor and wireless remote monitoring



Product code	Nominal supply voltage	Max. input power during charging	Operation time	Luminous flux	Operating temperature	Electrical installation	Protection class	Weight
TWSC492WA	220-240 V 50/60 Hz AC	3 VA	1 h	80 lm	-25...+35°C	3 x 2.5 mm ²	1	1.6 kg

Emergency lights with 1-hour supercapacitor



Product code	Nominal supply voltage	Max. input power during charging	Operation time	Luminous flux	Operating temperature	Electrical installation	Protection class	Weight
TWSC492WM	220-240 V 50/60 Hz AC	3 VA	1 h	80 lm	-25...+35°C	3 x 2.5 mm ²	1	1.6 kg

Emergency lights with 1-hour battery and wireless remote monitoring



Product code	Nominal supply voltage	Max. input power during charging	Operation time	Luminous flux	Operating temperature	Electrical installation	Protection class	Weight
TWTC452WA	220-240 V 50/60 Hz AC	3 VA	1 h	240 lm	0...+35°C	3 x 2.5 mm ²	1	1.1 kg

Emergency lights with 3-hour battery and wireless remote monitoring



Product code	Nominal supply voltage	Max. input power during charging	Operation time	Luminous flux	Operating temperature	Electrical installation	Protection class	Weight
TWTC453WA	220-240 V 50/60 Hz AC	6 VA	3 h	240 lm	0...+35°C	3 x 2.5 mm ²	1	1.3 kg

Emergency lights with 1-hour battery



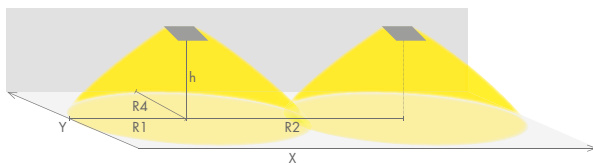
Product code	Nominal supply voltage	Max. input power during charging	Operation time	Luminous flux	Operating temperature	Electrical installation	Protection class	Weight
TWTC452WM	220-240 V 50/60 Hz AC	3 VA	1 h	240 lm	0...+35°C	3 x 2.5 mm ²	1	1.1 kg

Emergency lights with 3-hour battery



Product code	Nominal supply voltage	Max. input power during charging	Operation time	Luminous flux	Operating temperature	Electrical installation	Protection class	Weight
TWTC453WM	220-240 V 50/60 Hz AC	6 VA	3 h	240 lm	0...+35°C	3 x 2.5 mm ²	1	1.3 kg

Light distribution | Emergency lighting for escape routes (ceiling mounting)



- 1 lux table for the centre line of an escape route, in accordance with EN 1838.
- Level of measurement 0.02 m, measurement results in emergency mode.

R1 distance from wall, X axis

R2 mounting distance, X axis

R4 distance from wall, Y axis

TWSC492WM, TWSC492WA

Mounting height (m)	Below the light (lx)	R1 (m)	R3 (m)	R4 (m)
		1 lx	1 lx	1 lx
2.5	11	3.5	8	1
3	8	3.5	9	1
4	4.5	4	10	1
6	2	4	11	1
8	1.1	3	11	1

TWTC452WM, TWTC453WM, TWTC452WA, TWTC453WA

Mounting height (m)	Below the light (lx)	R1 (m)	R3 (m)	R4 (m)
		1 lx	1 lx	1 lx
2.5	40	5	11	1
4	15	6.5	17	1
6	6	7.5	20	1
8	3.5	7	21	1
10	2	6.5	21	1

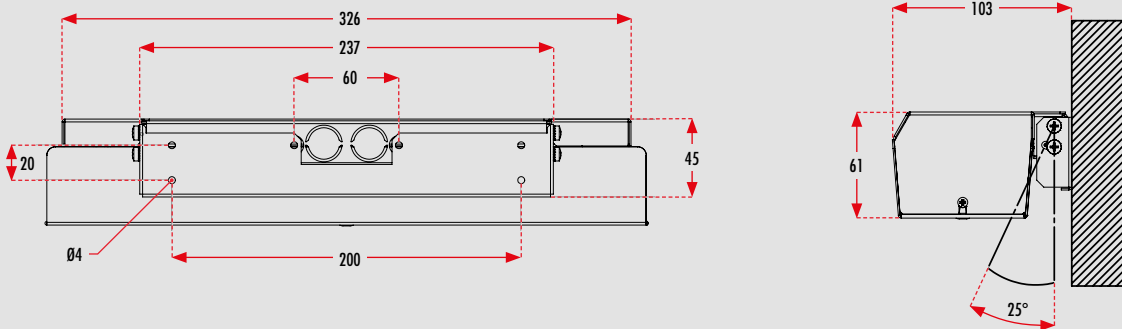
Trail

Accessories

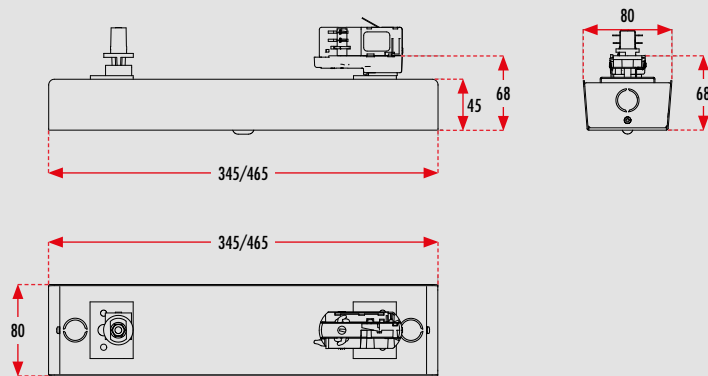
Product code	Product description
TWTC1001	Wall bracket
TWTC1000	Lighting track adapter (compatible with Global Trac)
TWTC1000B	Lighting track adapter, black (compatible with Global Trac)

Dimensions [mm]

TWTC1001 | Wall bracket



TWTC1000(B) | Lighting track adapter





Stamina:

Line Lowbay

Line Midbay

Self-contained emergency light for escape routes

 LED	 IP 65	 IK10	RAL 9007
-O-	CE	EN 60598-2-22	LumiTest

Versatile emergency light for outdoor and industrial use and other demanding conditions

Teknoware Stamina is a versatile and robust outdoor emergency light that has been designed to endure freezing temperatures and challenging conditions. The Stamina is particularly well suited for industrial sites, such as tunnels, parking halls and loading platforms. The Stamina Line Lowbay and Line Midbay emergency lights provide a long and narrow light pattern that lights escape routes efficiently.

Stamina has an impact-resistant cast aluminium casing (IK10), and it is dustproof and water-resistant (IP65). The Stamina has a chemical-resistant glass diffusor. Stamina can be surface mounted on the wall or ceiling with a separate bracket or recess mounted with a recess mounting frame. When mounted with the wall bracket, the light is at a 20° angle. The standard colour is graphite grey (RAL 9007).

The product is available with an Escap supercapacitor and wireless AaltoCtrl remote monitoring.



For escape routes

A long and narrow light pattern that lights escape routes efficiently.

Mounting height

up to 8 metres.

Dustproof and water-resistant

IP 65.

Vandalism-proof

Impact-resistant cast aluminium casing (IK10).

Weatherproof

Can be used in temperatures of between -25...+35°C.



HIGHLIGHTS



DEMANDING
CONDITIONS



IMPACT-RESISTANT
IK10



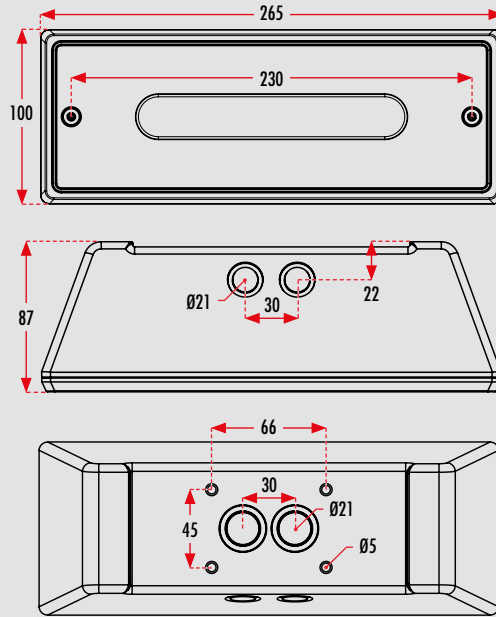
MOUNTING
HEIGHT



DUSTPROOF AND
WATER-RESISTANT

Dimensions [mm]

Stamina | Luminaire



Stamina: Line Lowbay

Emergency lights with 1-hour supercapacitor and wireless remote monitoring



Product code	Nominal supply voltage	Max. input power during charging	Operation time	Luminous flux **	Operating temperature	Electrical installation	Protection class	Weight
TWS7492WAG	220–240 V 50/60 Hz AC	11 VA * / 3 VA	1 h	80 lm	-25...+35°C	3/4 x 2.5 mm ²	1	1.4 kg

| * Used as a general luminaire | ** Luminous flux in emergency mode

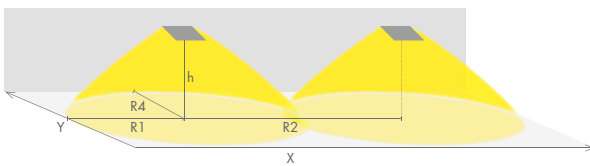
Emergency lights with 1-hour supercapacitor



Product code	Nominal supply voltage	Max. input power during charging	Operation time	Luminous flux **	Operating temperature	Electrical installation	Protection class	Weight
TWS7492WAG	220–240 V 50/60 Hz AC	11 VA * / 3 VA	1 h	80 lm	-25...+35°C	3/4 x 2.5 mm ²	1	1.4 kg

| * Used as a general luminaire | ** Luminous flux in emergency mode

Light distribution | Emergency lighting for escape routes (ceiling mounting)



- 1 lux table for the centre line of an escape route, in accordance with EN 1838.
- Level of measurement 0.02 m, measurement results in emergency mode.

R1 distance from wall, X axis

R2 mounting distance, X axis

R4 distance from wall, Y axis

TWS7492WAG, TWS7492WAG

Mounting height (m)	Below the light (lx)	R1 (m)	R2 (m)	R4 (m)
		1 lx	1 lx	1 lx
2.5	3	5.5	15.5	1
3	2	6.5	17	1

Stamina: Line Midbay

Emergency lights with 1-hour supercapacitor and wireless remote monitoring



Product code	Nominal supply voltage	Max. input power during charging	Operation time	Luminous flux **	Operating temperature	Electrical installation	Protection class	Weight
TWS7992WAG	220–240 V 50/60 Hz AC	11 VA * / 3 VA	1 h	93 lm	–25...+35°C	3/4 x 2.5 mm ²	1	1.4 kg

* Used as a general luminaire | ** Luminous flux in emergency mode

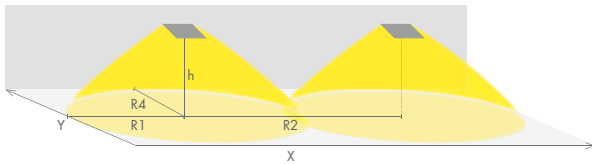
Emergency lights with 1-hour supercapacitor



Product code	Nominal supply voltage	Max. input power during charging	Operation time	Luminous flux **	Operating temperature	Electrical installation	Protection class	Weight
TWS7992WMG	220–240 V 50/60 Hz AC	11 VA * / 3 VA	1 h	93 lm	–25...+35°C	3/4 x 2.5 mm ²	1	1.4 kg

* Used as a general luminaire | ** Luminous flux in emergency mode

Light distribution | Emergency lighting for escape routes (ceiling mounting)



- 1 lux table for the centre line of an escape route, in accordance with EN 1838.
- Level of measurement 0.02 m, measurement results in emergency mode.

R1 distance from wall, X axis

R2 mounting distance, X axis

R4 distance from wall, Y axis

TWS7992WMG, TWS7992WAG

Mounting height (m)	Below the light (lx)	R1 (m)	R2 (m)	R4 (m)
		1 lx	1 lx	1 lx
2.5	18	3.5	9.5	1
3	12	3.5	10.5	1
4	6.5	4	11	1
6	3	4	12	1
8	1.5	4	13	1

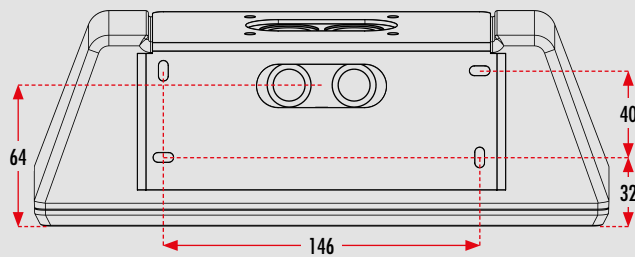
Stamina

Accessories

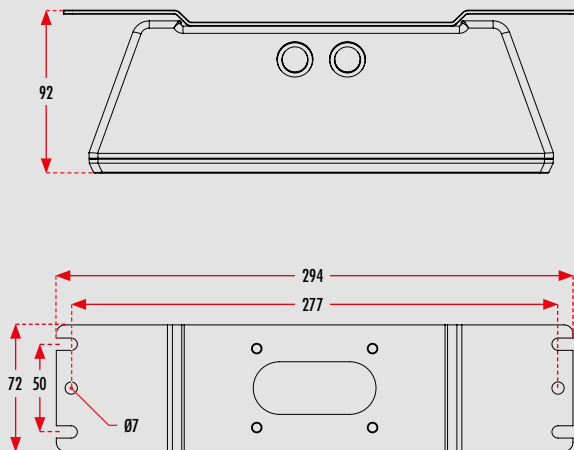
Product code	Product description
XWT5210	Wall bracket
XWT5211	Ceiling bracket
XWT5213	Recess mounting frame

Dimensions [mm]

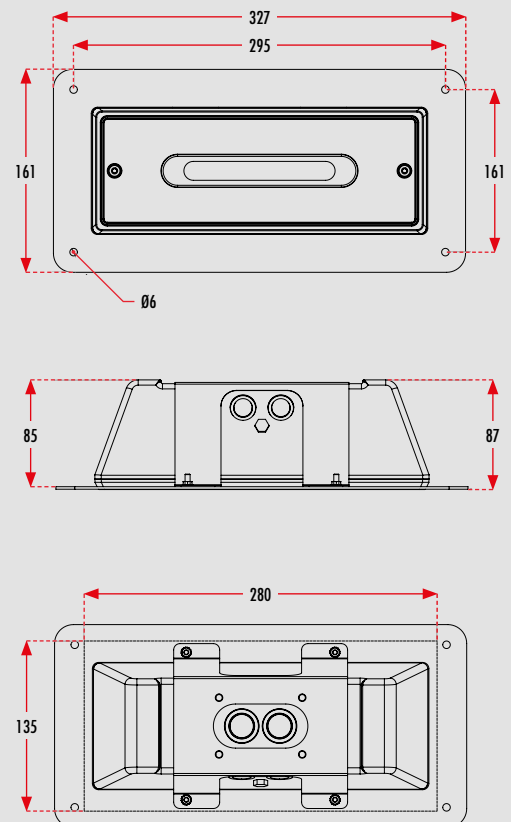
XWT5210 | Wall bracket



XWT5211 | Ceiling bracket







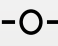



XWT5213 | Recess mounting frame *



* Aperture for recess mounting 135 mm x 280 mm.

Slimspot II: Angle

Self-contained emergency spotlight

 LED	 IP 20	 RAL 9003	 OTHER RAL COLOURS BY ORDER
 -O-	 CE	 EN 60598-2:22	 LumiTest

Discreet and efficient emergency light for illuminating first aid and first response equipment

The Teknoware Slimspot II: Angle is used for illuminating points of emphasis (for example, fire response equipment, alarm points, first aid kits and cabinets) with a vertical illuminance level of 5 lux providing an asymmetrical light pattern, in accordance with the EN 1838 standard.

Thanks to its compact size, the emergency light blends seamlessly into the architecture of the space. The extensive Slimspot II product and optics range offers several ways to illuminate areas of all types and sizes. The Slimspot II has a durable metal body, and it is designed for indoor use.

The standard colour is white (RAL 9003). Other RAL colours are available upon special order. The Slimspot II includes a luminaire and one or two electronic units. The product is delivered with the 900-mm connection cable between the light and the electronic unit.

The product is available with an Escap supercapacitor or battery and wireless AaltoCtrl remote monitoring.



For first aid and fire response equipment

Illuminance level 5 lux, in accordance with EN 1838.

Asymmetrical light pattern

Angle 45°.

Elegant

Minimalist and classic design.

Discreet

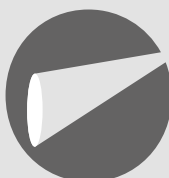
Recessed emergency light blends seamlessly into the ceiling.



HIGHLIGHTS



SMALL AND
DISCREET

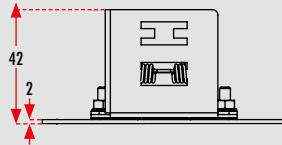
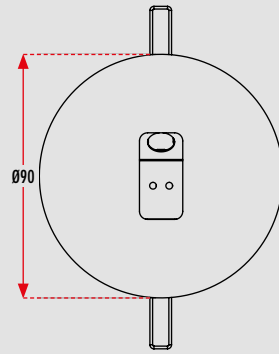


POINTS OF
EMPHASIS



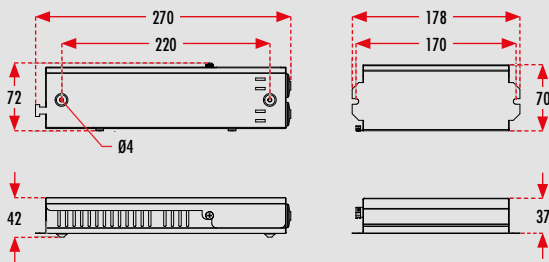
EXTENSIVE
PRODUCT RANGE

Slimspot II: Angle | Luminaire *

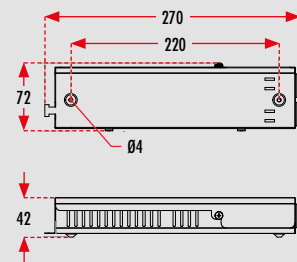


* Aperture \varnothing 75 mm. Mounted with springs that are part of the product.

TWSD192Wx | Electronics unit



TWTxx52Wx/53Wx | Electronics unit



Slimspot II: Angle

Emergency lights with 1-hour supercapacitor and wireless remote monitoring



Product code	Nominal supply voltage	Max. input power during charging	Operation time	Luminous flux	Operating temperature	Electrical installation	Protection class	Weight
TWSD192WA	220–240 V 50/60 Hz AC	3 VA	1 h	60 lm	–25...+35°C	3 x 2.5 mm ²	1	0.8 kg

Emergency lights with 1-hour supercapacitor



Product code	Nominal supply voltage	Max. input power during charging	Operation time	Luminous flux	Operating temperature	Electrical installation	Protection class	Weight
TWSD192WM	220–240 V 50/60 Hz AC	3 VA	1 h	60 lm	–25...+35°C	3 x 2.5 mm ²	1	0.8 kg

Emergency lights with 1-hour battery and wireless remote monitoring



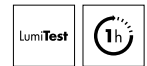
Product code	Nominal supply voltage	Max. input power during charging	Operation time	Luminous flux	Operating temperature	Electrical installation	Protection class	Weight
TWTD152WA	220–240 V 50/60 Hz AC	3 VA	1 h	150 lm	0...+35°C	3 x 2.5 mm ²	1	0.6 kg

Emergency lights with 3-hour battery and wireless remote monitoring



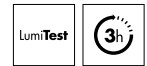
Product code	Nominal supply voltage	Max. input power during charging	Operation time	Luminous flux	Operating temperature	Electrical installation	Protection class	Weight
TWTD153WA	220–240 V 50/60 Hz AC	6 VA	3 h	150 lm	0...+35°C	3 x 2.5 mm ²	1	0.8 kg

Emergency lights with 1-hour battery



Product code	Nominal supply voltage	Max. input power during charging	Operation time	Luminous flux	Operating temperature	Electrical installation	Protection class	Weight
TWTD152WM	220–240 V 50/60 Hz AC	3 VA	1 h	150 lm	0...+35°C	3 x 2.5 mm ²	1	0.6 kg

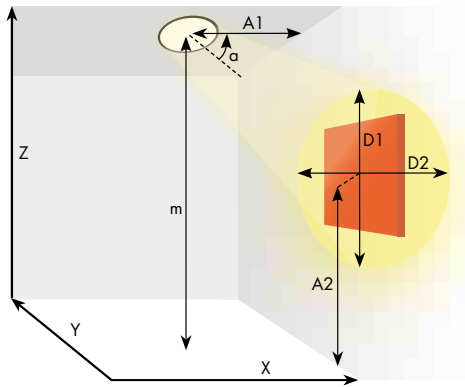
Emergency lights with 3-hour battery



Product code	Nominal supply voltage	Max. input power during charging	Operation time	Luminous flux	Operating temperature	Electrical installation	Protection class	Weight
TWTD153WM	220–240 V 50/60 Hz AC	6 VA	3 h	150 lm	0...+35°C	3 x 2.5 mm ²	1	0.8 kg

Slimspot II: Angle

Light distribution | Asymmetrical light



- Area where the vertical illuminance level is at least 5 lux.
- Level of measurement 0.02 m, measurement results in emergency mode.

A1 distance from wall, X axis

A2 distance from wall, Z axis

D1 light pattern width, Y axis

D2 light pattern height, Z axis

α 45°

TWSD192WM, TWSD192WA

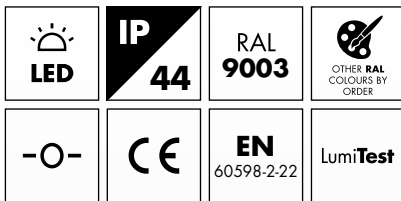
Mounting height (m)	A1 (m)	A2 (m)	D1 (m)	D2 (m)
			5 lx	5 lx
2.5	1	1.5	1.5	2
2.5	1.5	1.4	1.6	2.1
2.5	2.0	0.9	1.4	1.8
3	1	2	1.5	2
3	1.5	1.9	1.6	2.1
3	2.0	1.4	1.4	1.8

TWTD152WM, TWTD153WM, TWTD152WA, TWTD153WA

Mounting height (m)	A1 (m)	A2 (m)	D1 (m)	D2 (m)
			5 lx	5 lx
2.5	1	1.2	2.1	2.4
2.5	1.5	1	2.4	2.3
2.5	2,0	1	2.6	2.1
3	1	1.8	2.1	2.3
3	1.5	1.5	2.4	2.7
3	2.0	1.3	2.7	2.6
4	2.5	1.8	2.8	3.3
4	3.0	1.6	2.8	3.1
4	3.5	1.4	2.6	2.8

Find

Self-contained emergency light for points of emphasis

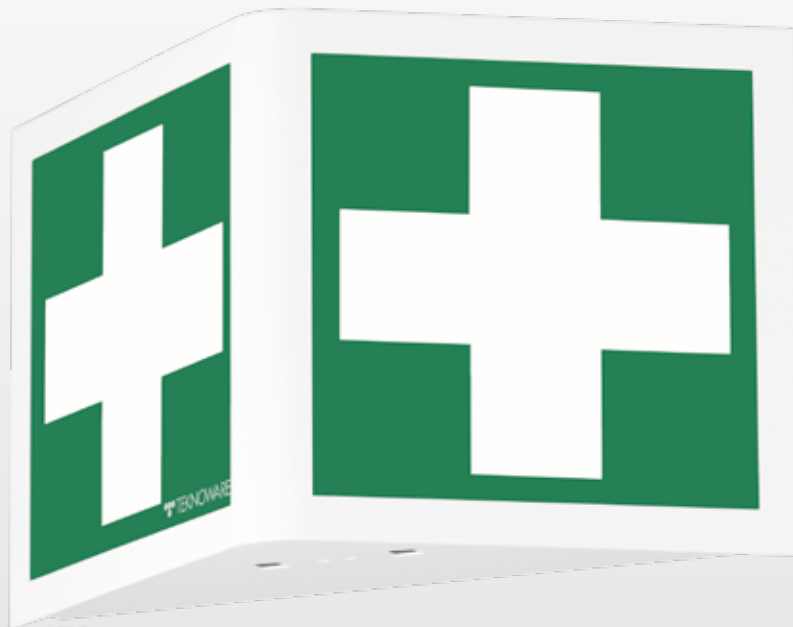


Combination luminaire that highlights and illuminates first aid and fire response equipment

The Teknoware Find helps you to find the first aid and fire response equipment in the vicinity. In the case of a power outage, the inbuilt emergency light illuminates the first aid or fire response equipment with an illuminance level of 5 lux. The Find has an IP rating of IP44.

The Find is available with a range of standard pictograms and customised pictograms upon order. The frame is made of powder-coated steel, and the standard colour is white (RAL 9003). Other RAL colours are available upon special order. The Find is always wall mounted as a default.

The product is available with an Escap supercapacitor and wireless AaltoCtrl remote monitoring.

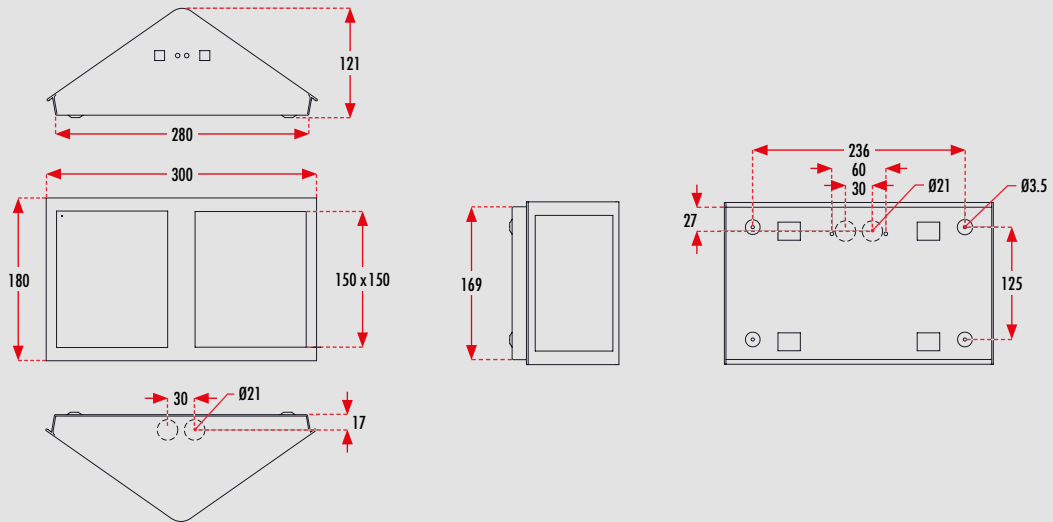


- **For first aid and fire response equipment**
Illuminance level 5 lux.
- **Combination light**
Emergency sign light with an inbuilt down light.
- **Wide range of pictograms**
Several standard pictograms, custom pictograms available upon request.
- **Painted steel frame**
The standard colour is white (RAL 9003), other RAL colours are available upon order.
- **Viewing angle 180°**
Visible from the front and from both sides.
- **Splash-resistant**
IP 44.



Dimensions [mm]

Find | Luminaire



Emergency lights with 1-hour supercapacitor and wireless remote monitoring

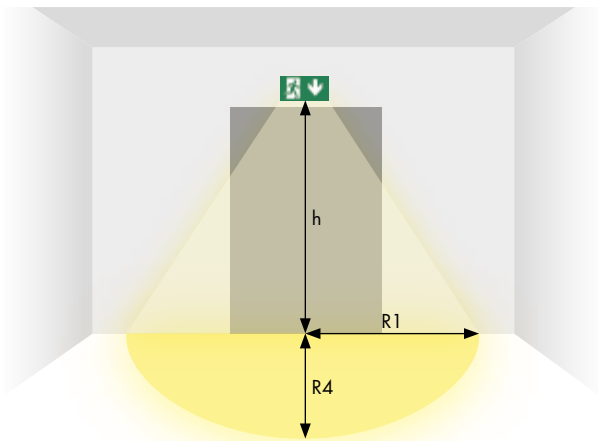


Product code	Nominal supply voltage	Max. input power during charging	Operation time	Luminous flux	Operating temperature	Electrical installation	Protection class	Weight
TWSA392WA	220–240 V 50/60 Hz AC	3 VA	1 h	24 lm	–25...+35°C	3 x 2.5 mm ²	1	1.7 kg

Emergency lights with 1-hour supercapacitor



Product code	Nominal supply voltage	Max. input power during charging	Operation time	Luminous flux	Operating temperature	Electrical installation	Protection class	Weight
TWSA392WM	220–240 V 50/60 Hz AC	2 VA	1 h	24 lm	–25...+35°C	3 x 2.5 mm ²	1	0.8 kg



Light distribution | Downlight chart for exit lights

- 1 and 0.5 lux table below the emergency exit light.
 - Level of measurement 0.02 m, measurement results in emergency mode.
- R1** distance from wall, X axis **R4** distance from wall, Y axis

TWSA392WM, TWSA392WA

Mounting height (m)	Below the light (lx)	R1 (m)	R4 (m)	R1 (m)	R4 (m)
		1 lx	1 lx	0.5 lx	0.5 lx
2	9	1	1	1.2	1.2
2.5	5.5	1.1	1.1	1.4	1.3
3	3.5	1.2	1.1	1.5	1.3
4	2	1.3	1.1	1.6	1.5

Separately ordered pictograms

Product code	Pictogram	Product description
PBA3E003		First aid pictogram
PBA3E004		Emergency telephone pictogram
PBA3E010		Automatic external pacemaker pictogram
PBA3E012		Emergency sprinkler pictogram

Product code	Pictogram	Product description
PBA3F001		Extinguisher pictogram
PBA3F002		Quick fire hydrant pictogram
PBA3F005		Fire alarm button pictogram
PBA3F006		Fire alarm telephone pictogram

| The product is two-sided and requires two pictograms.

Warranty terms

Teknoware's products are covered by a two-year (2) warranty. The warranty terms are according to the Orgalime supply conditions S 2012.

All our Teknoware Escap luminaires with a supercapacitor have an extended 12-year product warranty, and all our other luminaires have an extended 5-year product warranty. The terms and conditions of the extended warranties are available on the Teknoware website at teknoware.com.

Frequently asked questions

Why is emergency lighting needed and what are its requirements?

The purpose of emergency lighting is to ensure a safe exit from the property under all circumstances, especially in case of emergency. Emergency lighting is mandatory in workplaces and public buildings. The requirements for emergency lights and emergency exit lights are specified in standards EN 1838 and EN 60598-2-22. Please note the local requirements and possible deviations from the applicable EN standards.

Who is responsible for escape routes and lighting and their condition?

The property owner is responsible for the emergency lighting regarding shared premises and systems that cover the entire building, the holder and operator for their respective parts, and the resident for the areas under their control. Emergency lighting systems must be kept in operating condition and maintained and inspected appropriately.

How often must the emergency lighting system and the lights be inspected?

By the EN 51072 standard, the signals connected to the central battery system must be visually inspected daily. The operation of the emergency lighting system and luminaires must be inspected at least once per month, and their full operation time must be tested once per year. The maintenance programme and journal must be presented to the local rescue authorities for supervision upon request.

What is the delivery time for your products?

Typical delivery time for the products in our product catalogue is 3 weeks. The delivery time is confirmed at ordering, and if you would like to have a quicker delivery, please ask when you place your order.

Where can I find the installation and maintenance instructions for your products?

The installation and maintenance instructions are always provided with the product, and you can also download them on the product-specific pages at teknoware.com.

Where can I find Eulumdat light distribution files for emergency lights, for example, for DIALux software?

Eulumdat files can be found on the product-specific pages on our website at www.teknoware.com.

What kind of a central battery unit do I need?

The selection of the central battery unit should be primarily based on the electricity designer's plan. We have both addressable central battery units that are equipped with testing functions and traditional central battery systems. The unit is selected in accordance with the system's output voltage (24 V or 230 V) and the features. The amount of luminaires determines the size of the unit and the number of luminaire circuits.

Do I need a separate battery cabinet or battery cables?

Whether you need a separate battery cabinet depends on the central battery unit and batteries. In some unit models, such as the 24C, the batteries fit in the central battery unit and no separate cabinet is needed. In addition to a separate battery cabinet, you will also need battery cables. Information on batteries, battery cabinets and cables can be found at the beginning of the catalogue.

Which battery cabinet should I choose?

The battery cabinet is determined by the size of the batteries that come into it and the central battery unit. Refer to the central battery tables to find the battery cabinets that are suitable for each model.

Which battery cables should I choose?

The battery cable set is determined by the size of the batteries. The cables suitable for each battery are specified on the pages describing the central battery units.

How do I determine the direction of the pictograms for emergency exit lights?

The pictogram can be either a light plate or a pictogram that is attached to the luminaire. When you order an emergency exit light, with the exception of models equipped with a pictogram set, inform us of the direction of each light and whether the emergency exit light is one or two-sided.

Is the pictogram attached to the light unit?

When you order a product with a product code that starts with the letters TW, you must order the pictogram separately. All individually packed products (product codes starting with Y) come with a pictogram set that you attach to the luminaire yourself. The pictogram is attached to a luminaire equipped with a light plate, so please select the direction of the arrow when ordering.

Can I use the current EN ISO 7010-compliant pictograms side-by-side with the old pictograms?

Yes, but EN ISO 7010-compliant pictograms are required in all new applications. All emergency exit lights must convey the same meaning, and any differences between pictograms may not hinder this.

What is the round sticker that comes with emergency lights used for?

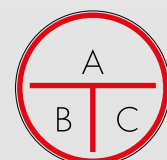
The harmonised standard HD 60364-5-56; 560.9.15 require that emergency lights must be "identifiable, for example, with the help of a min. 30-mm red plate".

Markings on the labels supplied with emergency lights (see image):







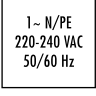
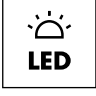

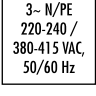
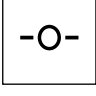

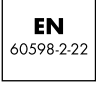


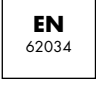

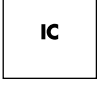
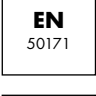



A = Central battery system

B = Output circuit

C = Luminaire.



Icons and abbreviations

	Central battery system 230V AC/DC		Centrally supplied luminaire		Self-contained luminaire with a supercapacitor
	Central battery system 24V AC/DC		IP Class		Self-contained luminaire with remote AaltoCtrl monitoring
	Nominal supply voltage 220–240 VAC 50/60Hz, single-phase		LED as a light source		A self-contained luminaire includes the LumiTest self-testing feature
	Nominal supply voltage 220–240 VAC 50/60Hz, three-phase		The luminaire is suitable for through-wiring		Compatible with Teknoware's addressable central battery system
	The product meets the requirements of the EN 60598-2-22 standard		Frame colour		The product is SGS FI certified
	The product meets the requirements of the EN 62034 standard		Available in other RAL colours upon order		Compatible with Intelligent Controller system
	The product meets the requirements of the EN 50171 standard		Viewing distance		
	The product meets the requirements of all relevant EU directives		Operation time in hours		

Enclosure rating, IP Class

First identifier (object and dust cover)	Protection	Second identifier (water resistance)	Protection
0	unprotected	0	unprotected
1	against large objects ($\varnothing \geq 50$ mm), such as fists	1	against water from above (dripping, direct)
2	against medium objects ($\varnothing \geq 12.5$ mm), such as fingers	2	against water from above (dripping, +/-15°)
3	against small objects ($\varnothing \geq 2.5$ mm), such as tools	3	against water from above (raining, +/-60°)
4	against very small objects ($\varnothing \geq 1$ mm), such as thread	4	against splashes
5	dust-protected	5	against water jet
6	full protection, dustproof	6	against high-pressure water jet
		7	against short-term immersion
		8	against long-term immersion



LET THERE BE CONFIDENCE.

People tend to take the presence of light for granted. We take it seriously. Our passion for finding the best interior solution or lighting for our customers' needs is the foundation which unites our three businesses. The Bus & Coach and Rail Divisions aim to increase our customer vehicles' comfort, safety and functionality. The Emergency Lighting Division is innovating new means and measures to improve the safety and usability of buildings and cruise ships.

Teknoware is your local partner. We employ over 500 experts in 8 countries, and our sales network serves customers in over 50 countries. Our head office and largest production facilities are located in Finland, and our other world-class production units are located in the UK, Malaysia, Poland and the US.

Teknoware is part of the Teknower Group.

Teknoware – Made in Finland.

